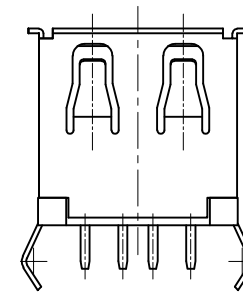
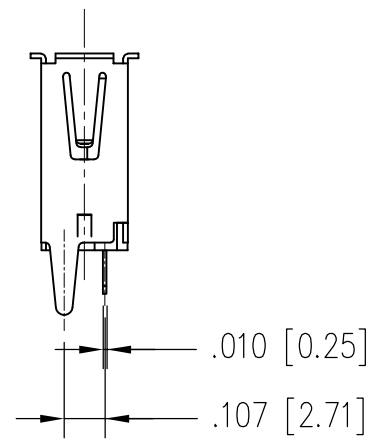
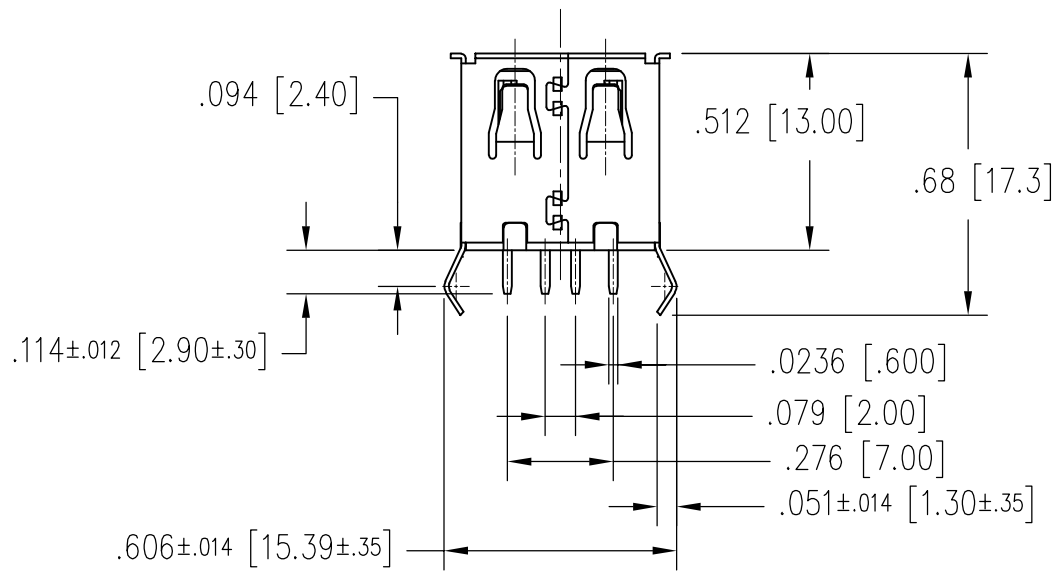
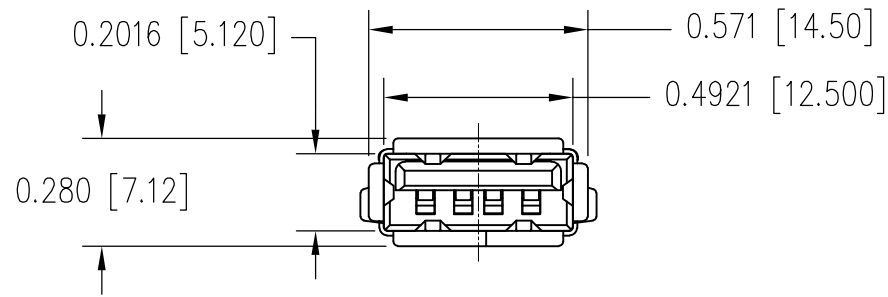
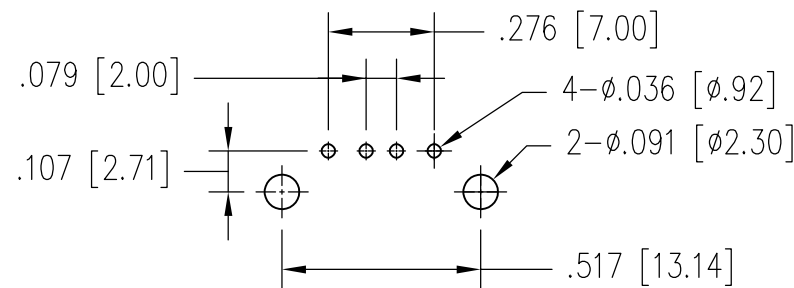


DATE	REV	ECN	APP'D. BY
8/29/2017	A0	-	DHG
10/31/2017	A1	11142	GWL



NOTE:

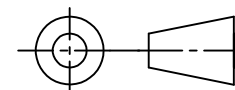
- Material
  - Hsg: High Temperature Plastic; UL94V-0; Color: Black
  - Contact: Copper Alloy,
  - Shell: Copper Alloy
- Finish:
  - Contct: Nickel Plated; Au Plating On Contact Area  
See Chart for Part Number;  
TIN On Solder Tail.
  - Shell: Nickel Plating.
- For Product specifications See PR44-01



RECOMMENDED P.C.B HOLE LAYOUT  
TOP VIEW(TOLERANCE: ±.004 [±0.10])

30 MICRO-INCHES [0.76um]	SS-52100-002
CONTACT PLATING IN MATING AREA	PART NUMBER

THIRD ANGLE PROJECTION

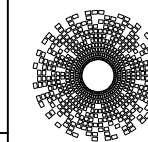


DRAWING IS SUBJECT TO  
CHANGE WITHOUT NOTICE

UNLESS OTHERWISE SPECIFIED  
DIMENSIONS INCHES [METRIC]  
TOLERANCES ARE:  
ANGLES ± 1°  
.XX [.X] ±.010" [±0.25]  
.XXX [.XX] ±.008" [±0.20]  
.XXXX [.XXX] ±.004" [±0.10]  
DO NOT SCALE DRAWING

SHEET NO. 1 OF 1

RoHS



**stewart**  
CONNECTOR  
a bel group

1118 Susquehanna Trail South  
Glen Rock, PA 17327-9199  
(717) 235-7512

<http://www.stewartconnector.com>

TITLE: USB 2.0 Vertical Receptacle Type A

THIS DRAWING AND THE SUBJECT MATTER SHOWN THEREON  
ARE CONFIDENTIAL AND THE PROPRIETARY PROPERTY OF  
STEWART CONNECTOR AND SHALL NOT BE REPRODUCED,  
COPIED, OR USED IN ANY MANNER WITHOUT WRITTEN  
CONSENT OF STEWART CONNECTOR. ONE OR MORE U.S. PATENTS  
MAY APPLY TO THIS PRODUCT. FOR DETAILS, PLEASE  
VISIT: [HTTP://BELFUSE.COM/STEWART/STEWART\\_PATENTS/](http://BELFUSE.COM/STEWART/STEWART_PATENTS/)

DRN BY:	GWL	DATE	8/28/2017
APPD BY:	DHG	DATE	8/29/2017
DWG NO.	CT520005	REV.	A1