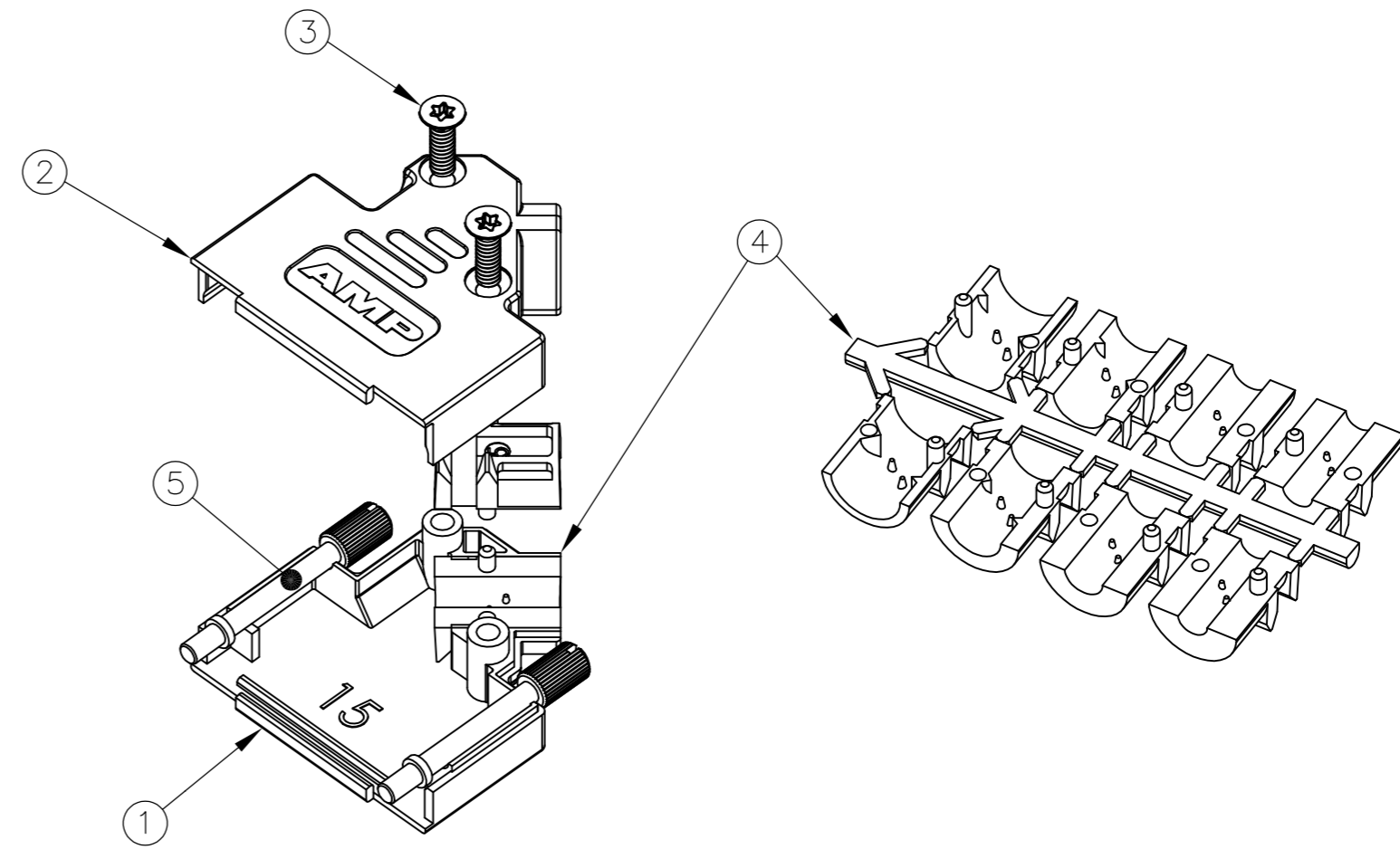
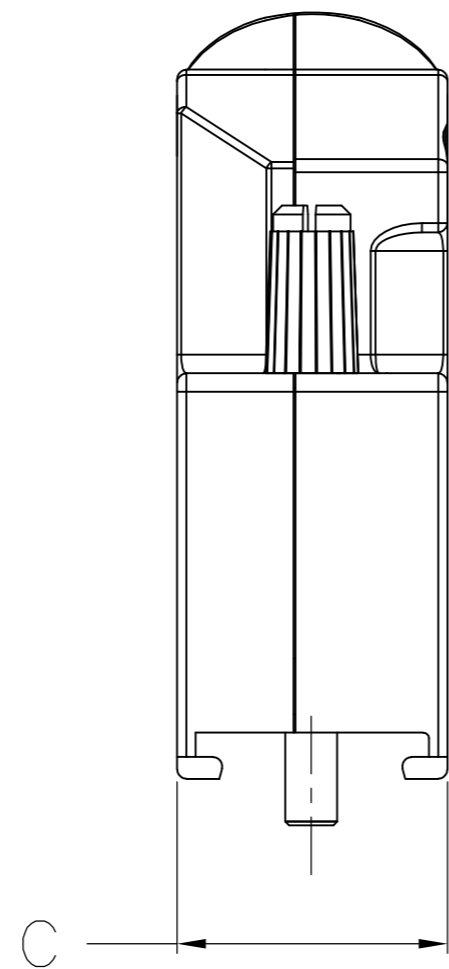
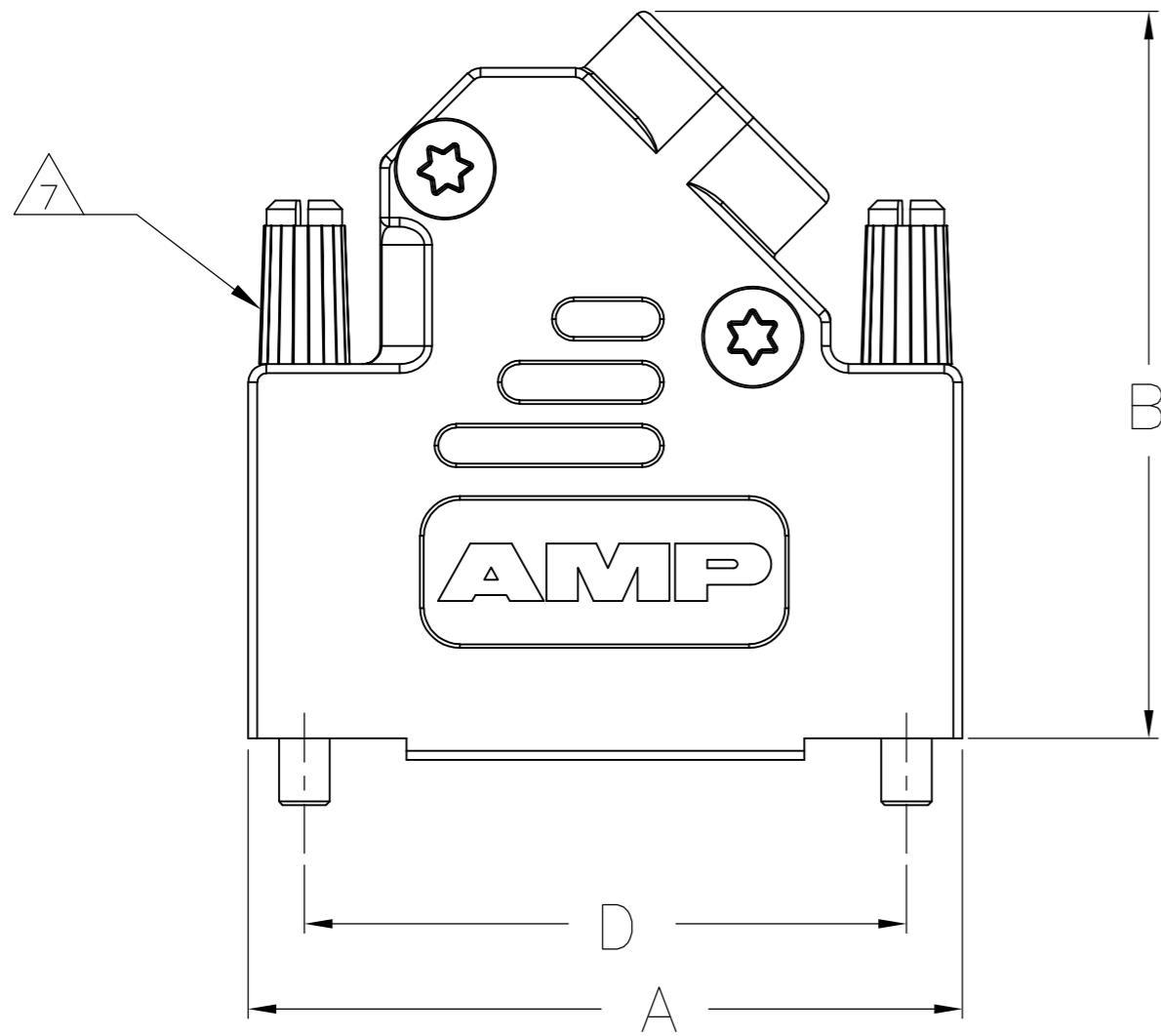


THIS DRAWING IS UNPUBLISHED. RELEASED FOR PUBLICATION 27-02-02 .- .
 © COPYRIGHT 2002 By - ALL RIGHTS RESERVED.

| LOC | DIST | REVISIONS | | | |
|-----|------|-------------|---------------------------|-----------|---------|
| P | LTR | DESCRIPTION | DATE | DWN | APVD |
| GP | 00 | N | REVISED PER ECO-13-000397 | 31JAN2013 | CJV CWR |



1. FOR ASSEMBLY DETAILS, REFER TO LEAFLET 2227518-1.

2. BULK PACKAGED BACKSHELL ASSEMBLIES: ITEM 1, 100 PCS LOOSE IN BOX. ITEMS 2 THRU 5, 100 TIMES QTY SHOWN IN TABLE IN 1 BAG FOR EACH ITEM. ALL BAGS IN 1 BOX WITH (1) 2227518-1 LEAFLET.

3. INDIVIDUALLY PACKAGED SHELL ASSEMBLIES: 1 BAG CONTAINS ALL COMPONENTS FOR 1 COMPLETE ASSEMBLY. 100 BAGS PER BOX, (1) 2227518-1 LEAFLET PER BOX.

4. TERMINATES 4.0-13.0 CABLE DIAMETERS.

5. 15 POSITION SHOWN.

6. TRIVALENT CHROMIUM CHROMATE COATING OVER ZINC PLATING.

7. JACKSCREW QUANTITY:
 9 WAY ASSEMBLY: 1 JACKSCREW
 15 WAY ASSEMBLY: 2 JACKSCREWS
 25 WAY ASSEMBLY: 2 JACKSCREWS
 37 WAY ASSEMBLY: 2 JACKSCREWS

8. OPTIONAL CABLE CRIMP KIT AVAILABLE FOR 6.0-9.5 DIAMETER CABLE. SEE 1478764

| 3 | 63.5 | 14.6 | 40.2 | 69.7 | TORX | 4-40 UNC | 4 | 37 WAY | 5-1478763-4 |
|-----------|------|------|------|------|--------------------------------|------------------|------------|----------|-------------|
| 3 | 47.0 | 14.6 | 40.2 | 53.2 | TORX | 4-40 UNC | 3 | 25 WAY | 5-1478763-3 |
| 3 | 33.3 | 14.6 | 40.2 | 39.5 | TORX | 4-40 UNC | 2 | 15 WAY | 5-1478763-2 |
| 3 | 25.0 | 14.6 | 36.2 | 31.0 | TORX | 4-40 UNC | 1 | 9 WAY | 5-1478763-1 |
| 2 | 47.0 | 14.6 | 40.2 | 53.2 | TORX | M3 | 3 | 25 WAY | 4-1478763-7 |
| 2 | 33.3 | 14.6 | 40.2 | 39.5 | TORX | M3 | 2 | 15 WAY | 4-1478763-6 |
| 2 | 25.0 | 14.6 | 36.2 | 31.0 | TORX | M3 | 1 | 9 WAY | 4-1478763-5 |
| 2 | 63.5 | 14.6 | 40.2 | 69.7 | TORX | 4-40 UNC | 4 | 37 WAY | 3-1478763-7 |
| 2 | 47.0 | 14.6 | 40.2 | 53.2 | TORX | 4-40 UNC | 3 | 25 WAY | 2-1478763-5 |
| 2 | 33.3 | 14.6 | 40.2 | 39.5 | TORX | 4-40 UNC | 2 | 15 WAY | 1-1478763-5 |
| 2 | 25.0 | 14.6 | 36.2 | 31.0 | TORX | 4-40 UNC | 1 | 9 WAY | 1478763-9 |
| PACKAGING | D | C | B | A | SELF TAPPING FIXING SCREW TYPE | JACKSCREW THREAD | SHELL SIZE | POSITION | PART NUMBER |

| ITEM | DESCRIPTION | MATERIAL | FINISH | QTY |
|------|---------------------------|---|------------|-----|
| 5 | JACKSCREW ASSEMBLY | POLYAMIDE, UL94 V2 KNOB CARBON STEEL SHAFT | BLACK 6 | 7 |
| 4 | STRAIN RELIEF SET | POLYCARBONATE UL94 V0 | BLACK | 1 |
| 3 | SELF TAPPING FIXING SCREW | CARBON STEEL | 6 | 2 |
| 2 | TOP BACKSHELL | ZINC | NICKEL | 1 |
| 1 | BOTTOM BACKSHELL | ZINC | NICKEL | 1 |

THIS DRAWING IS A CONTROLLED DOCUMENT. DIMENSIONING AND TOLERANCING PER ASME Y14.5M-2009

DWN: C. VALENTINE 06JAN2011
 CHK: C. ROHDE 06JAN2012
 APVD: C. ROHDE 06JAN2012

TE Connectivity
 ADK SERIES DIE-CAST BACKSHELL 45 DEGREE ENTRY

SIZE: A2 CAGE CODE: 00779 C=1478763
 SCALE: NTS SHEET: 1 OF 1 REV: N

TOLERANCES UNLESS OTHERWISE SPECIFIED:
 0 PLC ± 0.5
 1 PLC ± 0.5
 2 PLC ± 0.5
 3 PLC ± 0.5
 4 PLC ± 0.5
 ANGLES ± -

MATERIAL: SEE TABLE FINISH: -

CUSTOMER DRAWING