

10 9 8 7 6 5 4 3 2 1

F

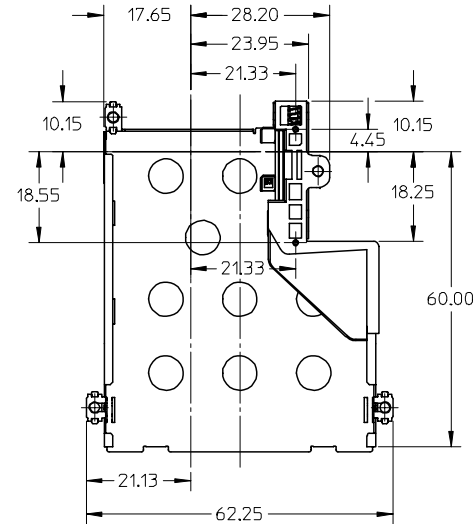
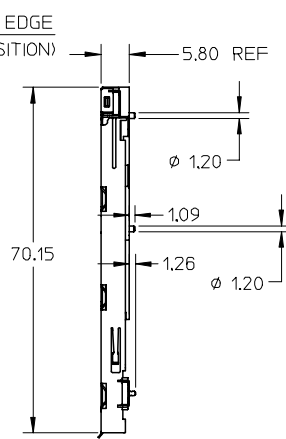
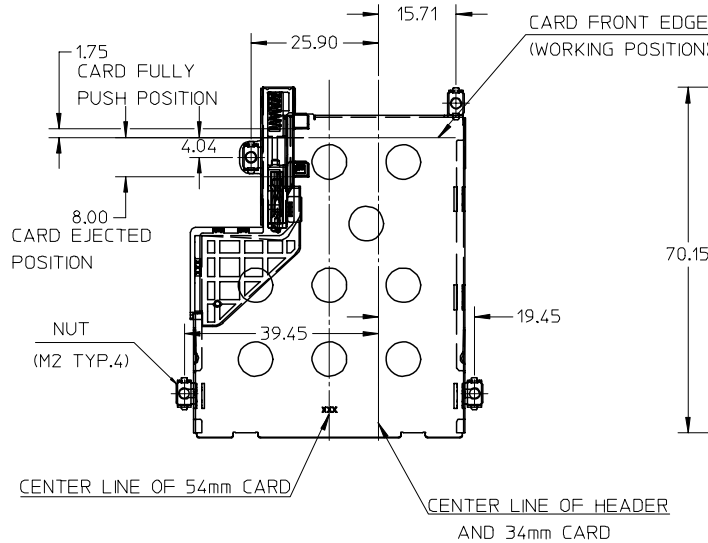
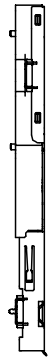
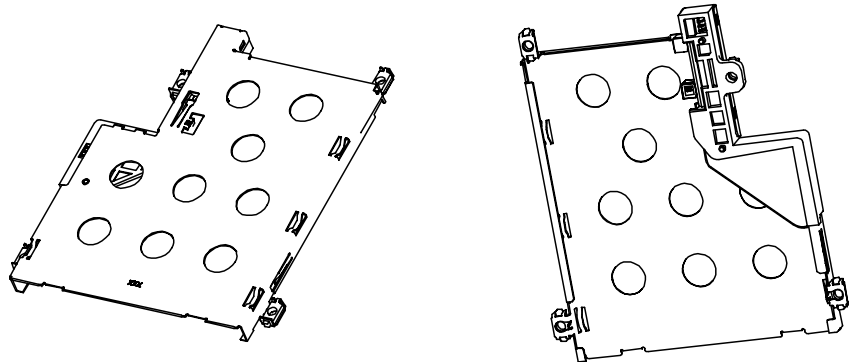
E

D

C

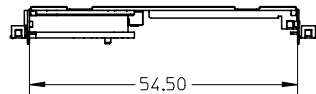
B

A



NOTES:

1. SLOT DESIGN BASED ON EXPRESS CARD ASSOC. REV:A;
2. THIS SLOT TO BE COMPATIBLE BOTH 34mm CARD AND 54mm CARD;
3. THE EJECTOR MECHANISM TO BE ASSEMBLED BASES ON 34mm CARD CENTER LINE;
4. WHEN DELIVERING, THE CAM SLIDER MUST KEEP RELEASE STATUS; (CARD EJECTED OUT POSITION);
5. APPLIABLE HEADER PLEASE REFER TO SHEET 2
6. MATERIAL:
 SHELL: STAINLESS STEEL
 STAND OFF: STAINLESS STEEL
 NUT: STAINLESS STEEL
 COIL SPRING: STEEL WIRE
 CAM SLIDER: HIGH TEMPERATURE THERMOPLASTIC
 CAM SLIDER HOUSING: HIGH TEMPERATURE THERMOPLASTIC
 CAM PIN: STAINLESS STEEL
7. PRODUCT SPECIFICATION PLEASE REFER TO PS-47202-001.



NEW RELEASE	2005/07/01
EC NO: SH2005-0413	2005/07/01
DRWN: LBAO	2005/07/01
CHKD:	2005/07/01
APPR: YTYAP	2005/07/01
REV	DESCRIPTION
A	

QUALITY SYMBOLS	DESCRIPTION
▽=0	
∇=0	

GENERAL TOLERANCES (UNLESS SPECIFIED)	DIMENSION STYLE MM ONLY	
	mm	INCH
4 PLACES	± ---	± ---
3 PLACES	± ---	± ---
2 PLACES	± 0.2	± ---
1 PLACE	± 0.3	± ---
ANGULAR ± 2 °		
DRAFT WHERE APPLICABLE MUST REMAIN WITHIN DIMENSIONS		

DRAWN BY	DATE	TITLE
R. BIAN	2004/12/14	EXPRESS CARD BOTTOM MOUNT PUSH-PUSH TYPE
CHECKED BY	DATE	
APPROVED BY	DATE	
MATERIAL NO.	DOCUMENT NO.	SHEET NO.
47202-0003	SD-47202-001	1 OF 4

SCALE	DESIGN UNITS	THIRD ANGLE PROJECTION
1:1	METRIC	
MOLEX INCORPORATED		
THIS DRAWING CONTAINS INFORMATION THAT IS PROPRIETARY TO MOLEX INCORPORATED AND SHOULD NOT BE USED WITHOUT WRITTEN PERMISSION		

9 8 7 6 5 4 3 2 1

10 9 8 7 6 5 4 3 2 1

F

E

D

C

B

A

F

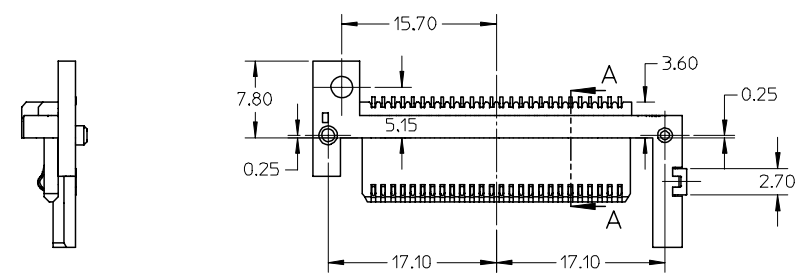
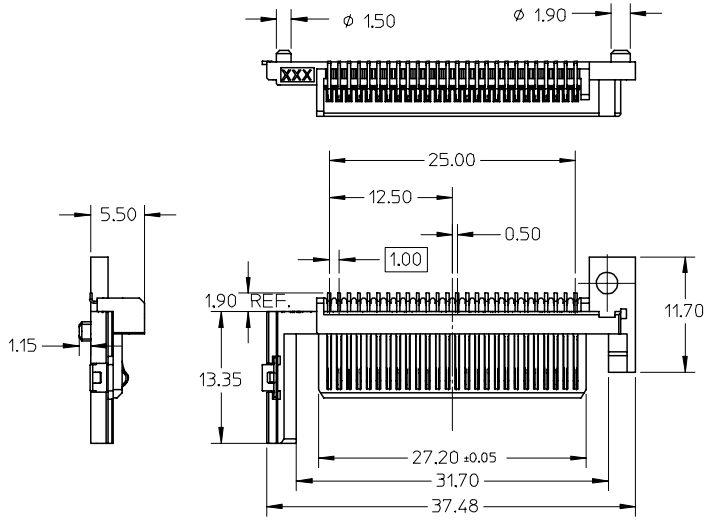
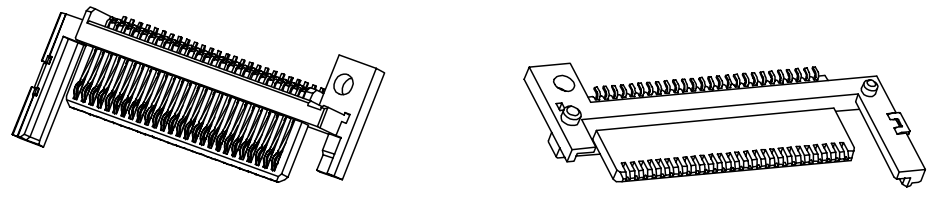
E

D

C

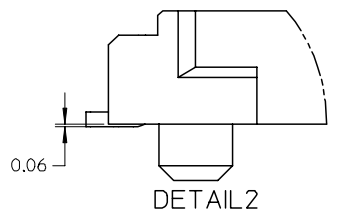
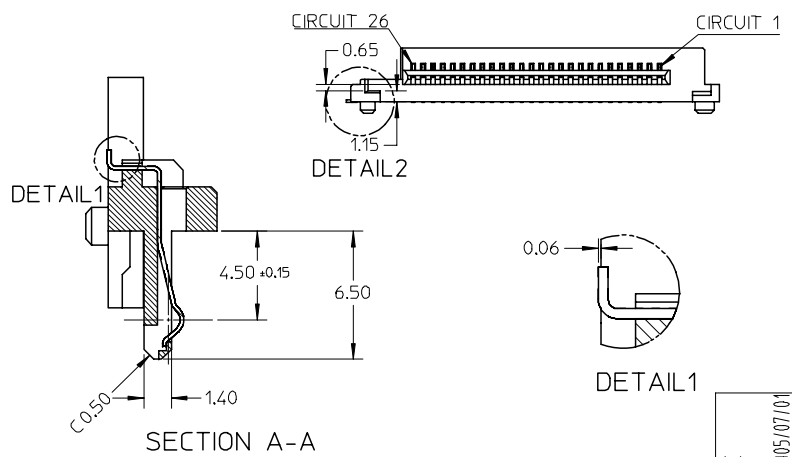
B

A



NOTES:

1. MATERIAL:
HOUSING: HIGH TEMPERATURE THERMOPLASTIC,
FITTING NAIL: COPPER ALLOY,
TERMINAL: COPPER ALLOY,
2. FINISH:
TERMINAL:
UNDERPLATING: Ni OVERALL,
SELECTIVE GOLD ON CONTACT AREA,
THICKNESS: 15 MICROINCH MINIMUM,
SELECTIVE PURE TIN ON SOLDER TAIL AREA,
THICKNESS: 40~100 MICROINCH,
3. COPLANARITY AT SOLDER TAIL TO BE 0.10 MAXIMUM,
4. APPLICABLE CARD SLOT PLEASE REFER TO SHEET 1
5. PRODUCT SPECIFICATION PLEASE REFER TO PS-47202-001



NEW RELEASE EC NO: SH2005-0413 DRWN: LBAO CHKD: APPR: YTYAP	2005/07/01 2005/07/01 2005/07/01	QUALITY SYMBOLS	GENERAL TOLERANCES (UNLESS SPECIFIED)		DIMENSION STYLE	SCALE	DESIGN UNITS	THIRD ANGLE PROJECTION			
		$\nabla=0$ $\sphericalangle=0$	mm	INCH	MM ONLY	2:1	METRIC				
			4 PLACES	\pm ---	\pm ---	DRAWN BY	DATE	TITLE			
			3 PLACES	\pm ---	\pm ---	R. BIAN	2004/12/14	EXPRESS CARD BOTTOM MOUNT PUSH-PUSH TYPE			
	2 PLACES	± 0.2	\pm ---	CHECKED BY	DATE	MOLEX INCORPORATED					
	1 PLACE	± 0.3	\pm ---	APPROVED BY	DATE					MATERIAL NO. 47202-0002 DOCUMENT NO. SD-47202-001 SHEET NO. 2 OF 4	
	ANGULAR $\pm 2^\circ$		DRAFT WHERE APPLICABLE MUST REMAIN WITHIN DIMENSIONS		THIS DRAWING CONTAINS INFORMATION THAT IS PROPRIETARY TO MOLEX INCORPORATED AND SHOULD NOT BE USED WITHOUT WRITTEN PERMISSION						

9 8 7 6 5 4 3 2 1

10 9 8 7 6 5 4 3 2 1

F

F

E

E

D

D

C

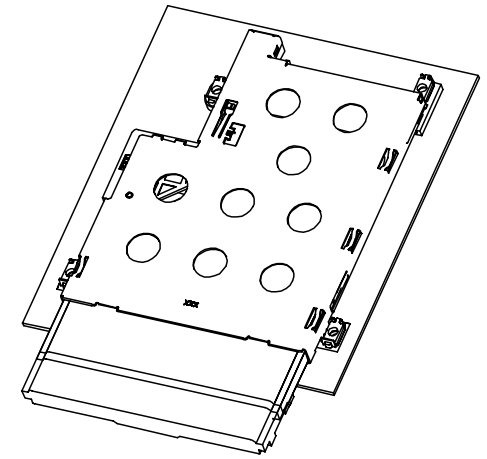
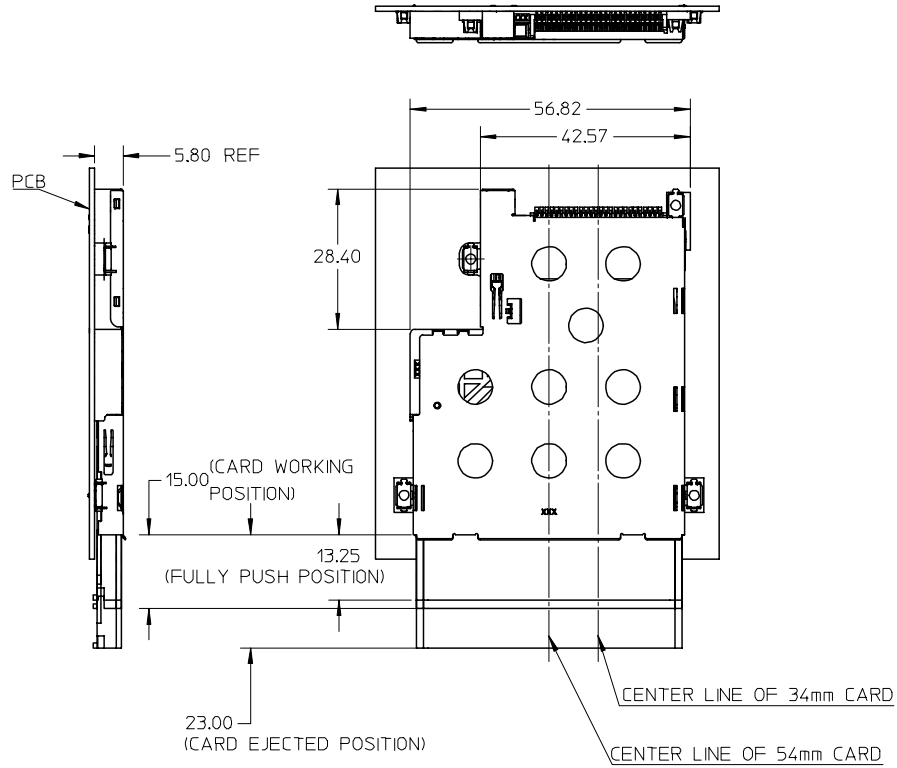
C

B

B

A

A



NOTES:

1. COMPONENTS:
 HEADER: SHEET 2
 EJECTOR: SHEET 1
2. PCB LAYOUT PLEASE REFER TO SHEET 4;
3. TAIL COMPLANARITY OF HEADER TO BE 0.10 MAXIMUM;
 TRUE POSITION IS 0.15 MAXIMUM BETWEEN SOLDER TAILS;
4. NON REFLOW PROCESS FOR CARD SLOT.
5. SCREW FASTENING TORQUE: 2.0 KGF-CM;
6. PRODUCT SPECIFICATION PLEASE REFER TO PS-47202-001.

NEW RELEASE EC NO: SH2005-0413 DRWN: LBAO CHKD: APPR: YTYAP	2005/07/01 2005/07/01 2005/07/01	DESCRIPTION REV	QUALITY SYMBOLS	GENERAL TOLERANCES (UNLESS SPECIFIED)	DIMENSION STYLE	SCALE	DESIGN UNITS	THIRD ANGLE PROJECTION
			$\nabla=0$ $\sphericalangle=0$	mm INCH 4 PLACES ± --- ± --- 3 PLACES ± --- ± --- 2 PLACES ± 0.2 ± --- 1 PLACE ± 0.3 ± --- ANGULAR ± 2 °	MM ONLY	1:1	METRIC	EXPRESS CARD BOTTOM MOUNT PUSH-PUSH TYPE
				DRAFT WHERE APPLICABLE MUST REMAIN WITHIN DIMENSIONS	DRAWN BY: R. BIAN DATE: 2004/12/14 CHECKED BY: DATE:	APPROVED BY: DATE:	MOLEX INCORPORATED	
					MATERIAL NO. 47202-0001 DOCUMENT NO. SD-47202-001 SHEET NO. 3 OF 4			

9 8 7 6 5 4 3 2 1

10 9 8 7 6 5 4 3 2 1

F

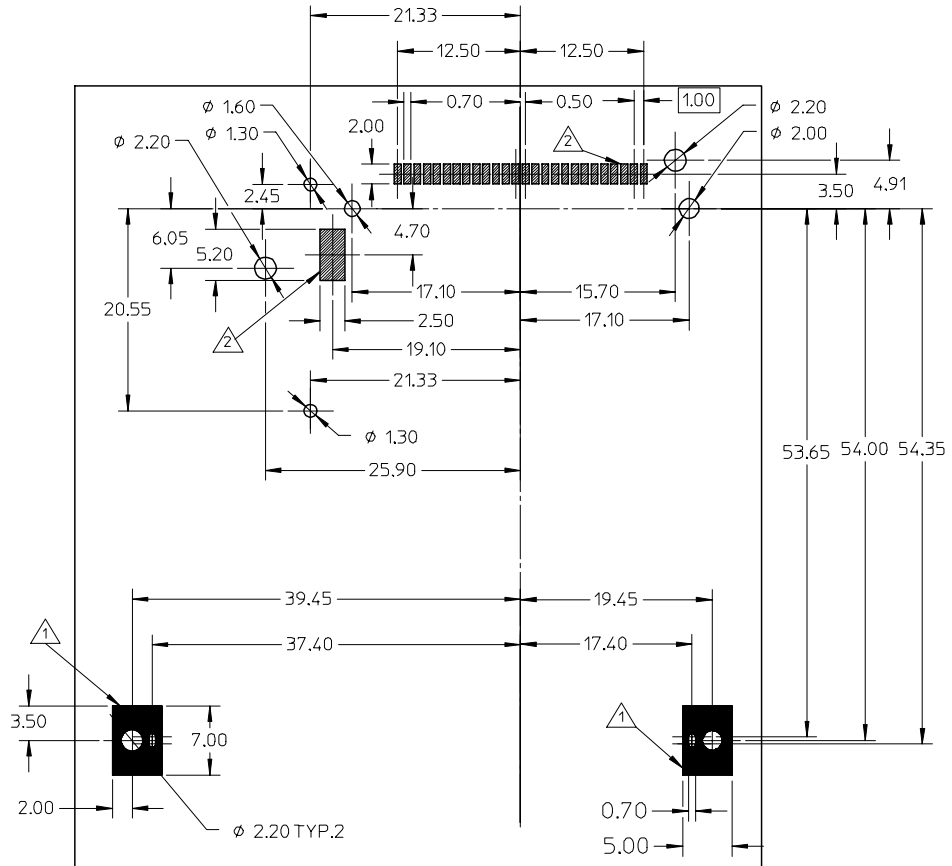
E

D

C

B

A



NOTES:
 1. GROUNDING PAD AREA
 2. SOLDER PAD AREA

RECOMMENDED PCB LAYOUT, COMPONENT SIDE

NEW RELEASE EC NO: SH2005-0413 DRWN: LBAO CHKD: APPR: YIYAP 2005/07/01	QUALITY SYMBOLS	GENERAL TOLERANCES (UNLESS SPECIFIED)		DIMENSION STYLE MM ONLY		SCALE 2:1	DESIGN UNITS METRIC	THIRD ANGLE PROJECTION	
	$\nabla = 0$ $\sphericalangle = 0$	mm	INCH	DRAWN BY R. BIAN	DATE 2004/12/14	TITLE EXPRESS CARD BOTTOM MOUNT PUSH-PUSH TYPE			
		4 PLACES ± ---	± ---	CHECKED BY	DATE				
		3 PLACES ± ---	± ---	APPROVED BY		DATE	MOLEX INCORPORATED		
	2 PLACES ± 0.05	± ---	MATERIAL NO. 47202-0001		DOCUMENT NO. SD-47202-001	SHEET NO. 4 OF 4			
	1 PLACE ±	± ---	DRAFT WHERE APPLICABLE MUST REMAIN WITHIN DIMENSIONS		THIS DRAWING CONTAINS INFORMATION THAT IS PROPRIETARY TO MOLEX INCORPORATED AND SHOULD NOT BE USED WITHOUT WRITTEN PERMISSION				

9 8 7 6 5 4 3 2 1