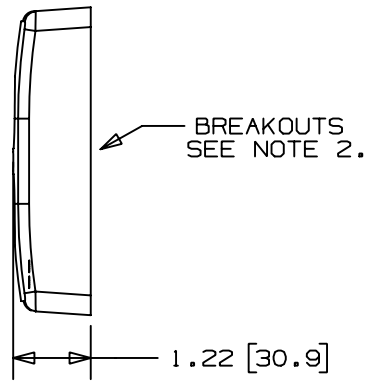
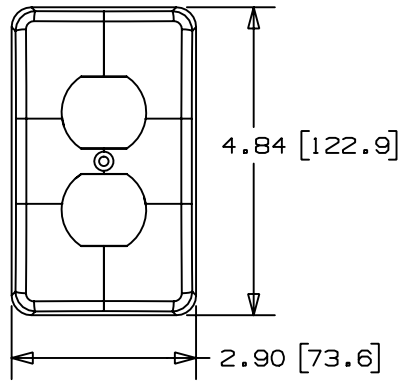


THIS COPY IS PROVIDED ON A RESTRICTED BASIS AND IS NOT TO BE USED IN ANY WAY DETRIMENTAL TO THE INTERESTS OF PANDUIT CORP.

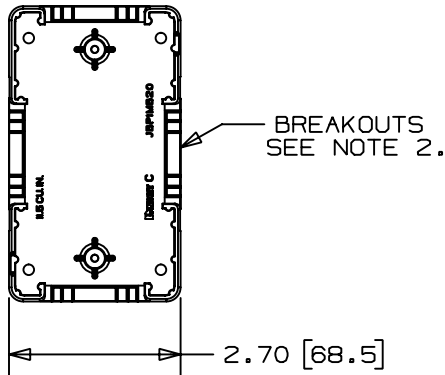


BREAKOUTS
SEE NOTE 2.

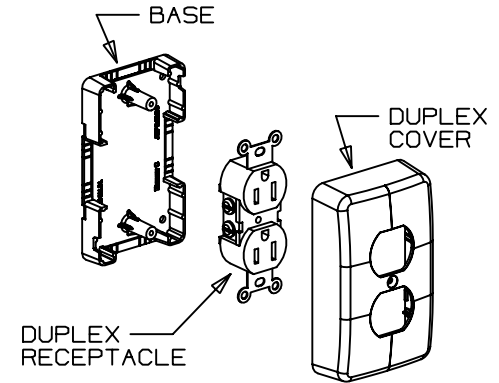
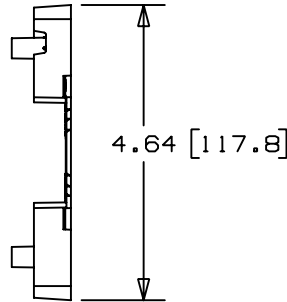
PANDUIT P/N	WEIGHT
JBP1MD20	3.26 LB/10 PCS (1480 g/10 PCS)

NOTES:

1. SEE CURRENT CATALOG FOR ADDITIONAL PART SUFFIXES TO INDICATE COLOR AND OR PACKAGE QUANTITY.
2. BREAKOUTS ON ALL FOUR SIDES IN COVER AND BASE TO ACCOMMODATE PAN-WAY LDS AND LDP RACEWAYS.
3. COVER IS EXTENDED OUT AND DOWN AROUND SIDES OF BASE WHEN ASSEMBLED.
4. DIMENSIONS IN PARENTHESES ARE IN METRIC.



BREAKOUTS
SEE NOTE 2.



CAD FILENAME/LAYERS D36642BU_DC_JBP1MB_00

PANDUIT CORP. TINLEY PARK, ILLINOIS

PAN-WAY MINI-ELECTRICAL RECEPTACLE BOX (JBP1MD20)
CUSTOMER DRAWING

UNLESS OTHERWISE SPECIFIED,
DIMENSIONAL TOLERANCES ARE:
(.X) ± (.XXX) ±
(.XX) ±.03 (.8) ANGLES ±

UNLESS OTHERWISE SPECIFIED,
ALL DIMENSIONS ARE GIVEN
IN INCHES, THIRD ANGLE PROJECTION.

DRAWN BY DW	MAT'L: PVC	SCALE NONE	DWG A
DATE 12-08-98		DRAWING NO. 36642-05	SIZE A
CHECKED BY JAWA			

REV	DATE	BY	CHK	DESCRIPTION	ECN	CHK	CUST	SUP
R	12-08-98	DW	JAWA	RELEASED TO PRODUCTION.	36642-05	HIW	HIW	