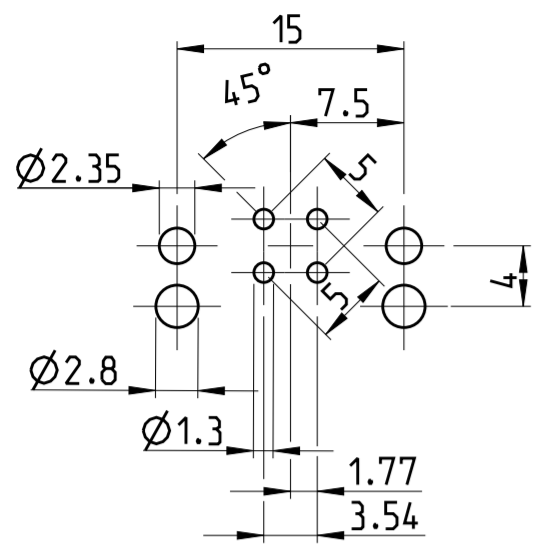


REVISIONS		DATE	DWN	APVD
ÄNDERUNGEN				
DESCRIPTION				
BESCHREIBUNG				
P	LTR			
	A	04DEC2014	TJ	PS

CONDUCTOR LAYOUT

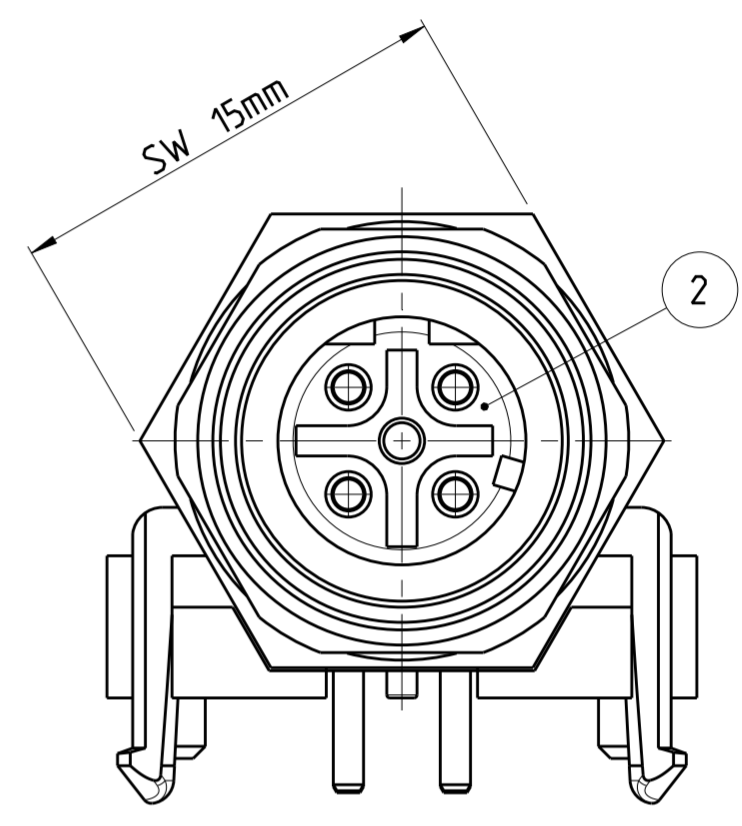
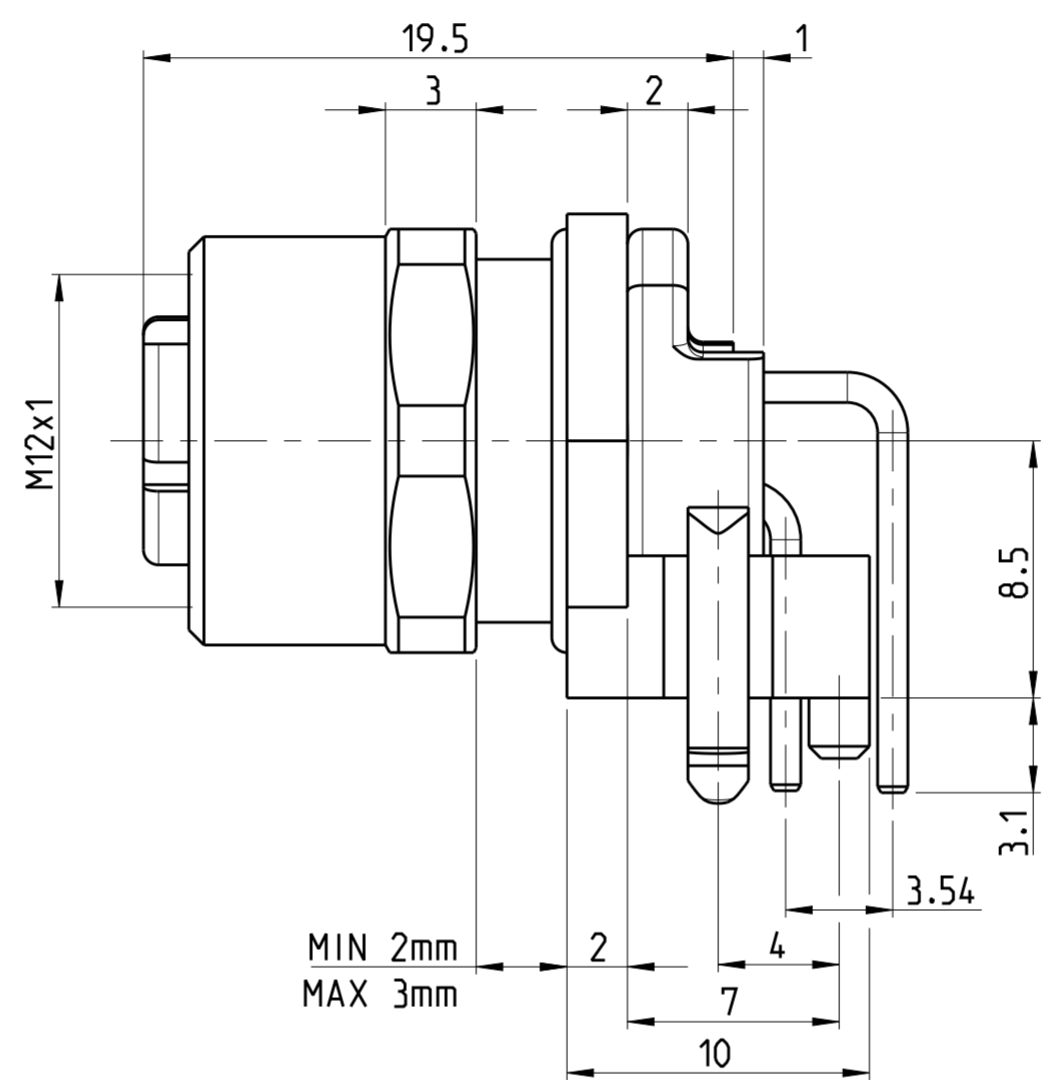
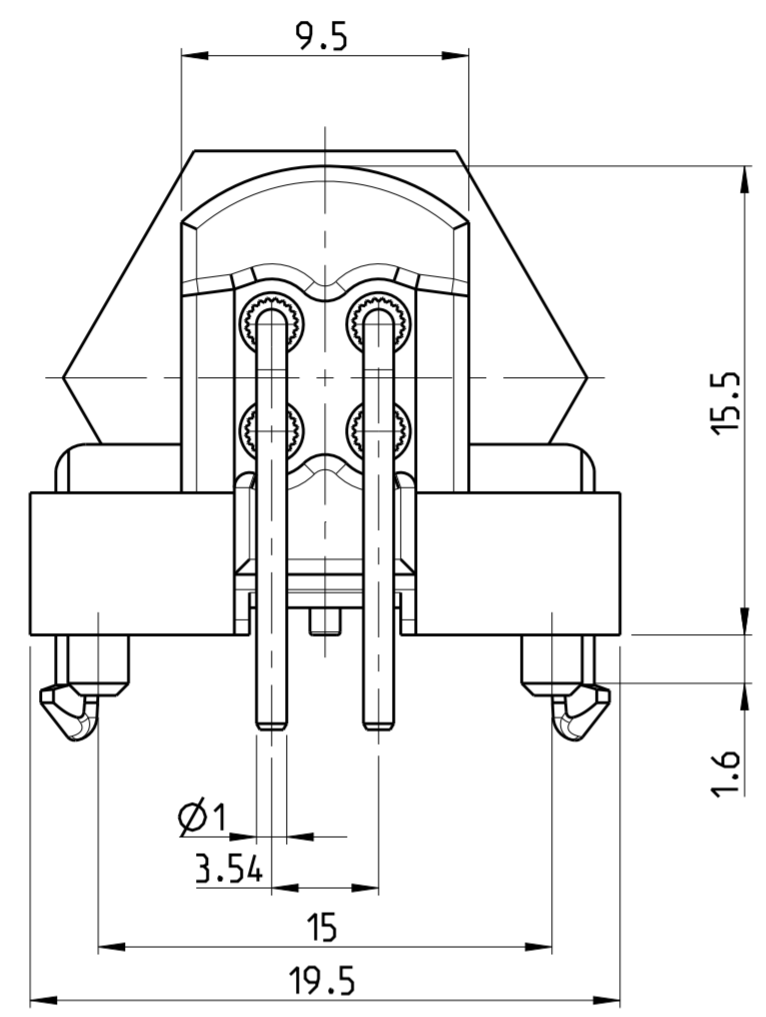


NOTES:

- 1 MATERIAL: ITEM NO. 1: HOUSING - CuZn (BRASS, NICKEL PLATED)
 ITEM NO. 2: CONTACT BODY - PA (GREEN)
 ITEM NO. 3: CONTACT - CuSn (BRONZE)
 CONTACT FINISH - AU (GOLD)

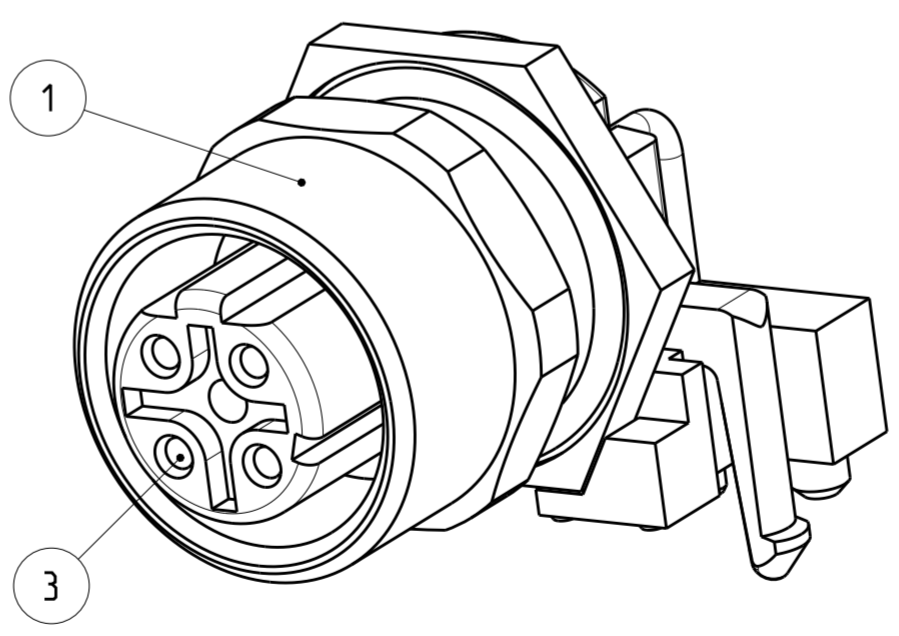
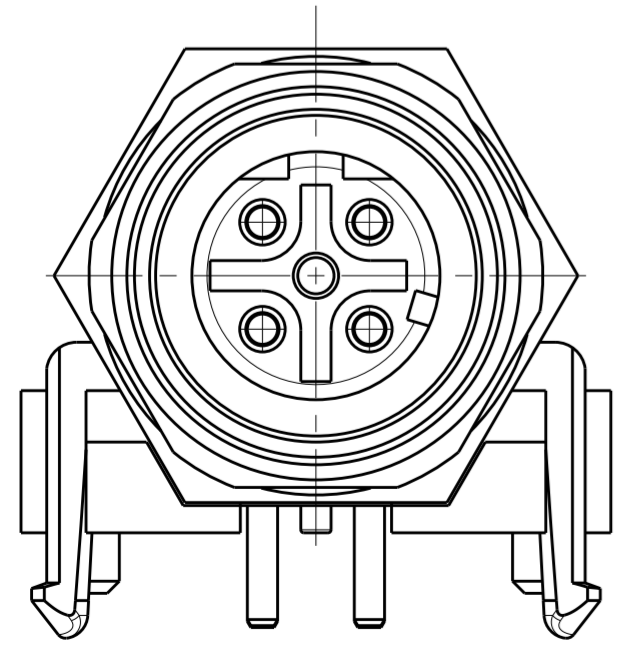
2 ALL DIMENSIONS ARE FOR NOMINAL REFERENCE ONLY UNLESS OTHERWISE STATED

TECHNICAL DATA	3-2172087-2
RATED VOLTAGE	250V
RATED IMPULSE VOLTAGE	2500V
POLLUTION DEGREE	3
OVERVOLTAGE CATEGORY	II
MATERIAL GROUP	II
RATED CURRENT	4A
VOLUME RESISTIVITY	≤ 3mΩ
DEGREE OF PROTECTION	IP67
UPPER TEMPERATURE	+85 °C
LOWER TEMPERATURE	+40 °C



PIN ARRANGEMENT D-CODING

3-2172087-2



DIESE ZEICHNUNG IST EIN KONTROLLIERTES DOKUMENT. BEMASSUNGEN UND TOLERANZEN GEMAESS GPS (ISO STANDARDS).		DWN YASHKUMAR 13AUG2014	
THIS DRAWING IS A CONTROLLED DOCUMENT. DIMENSIONING AND TOLERANCING PER GPS (ISO STANDARDS).		CHK M. BRUBAKER 13AUG2014	
DIMENSIONS: MASSEINHEITEN: (MM)		APVD M. BRUBAKER 13AUG2014	
TOLERANCES UNLESS OTHERWISE SPECIFIED: ALLGEMEINTOLERANZEN		NAME M. BRUBAKER	
0 PLC ±		PRODUCT SPEC 108-19483	
1 PLC ±		APPLICATION SPEC 114-32127	
2 PLC ±		WEIGHT -	
3 PLC ±		Customer Drawing	
4 PLC ±		Customer Drawing	
ANGLES/WINKEL ±		Customer Drawing	
FINISH/OBERFLÄCHE/FARBE		Customer Drawing	
MATERIAL		Customer Drawing	
SEE NOTES		Customer Drawing	
SEE NOTES		Customer Drawing	

1	4	3-2172087-2
MATERIAL	NUMBER OF POLES	TE-PART-NO.



M12 RECEPTACLE, FEMALE, PCB MOUNT ANGLED, UNSHIELDED, STANDOFF, D-CODED			
SIZE	CAGE CODE	DRAWING NO. ZEICHNUNGS-NR.	RESTRICTED TO NUR FÜR
A2	00779	G-2172087	-
SCALE MASSSTAB	2:1	SHEET BLATT	1 OF 1
REV	A		

SIZE ISO 14405 (E)