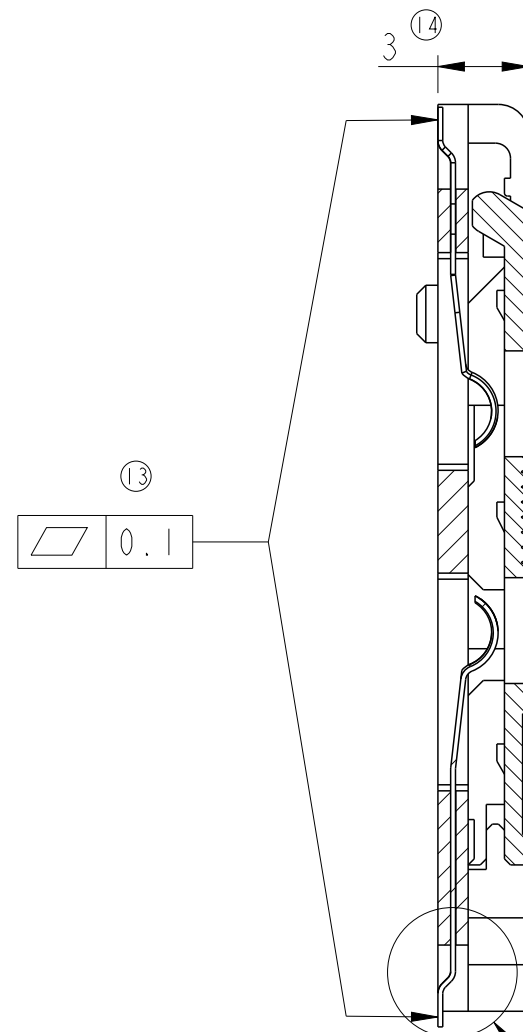
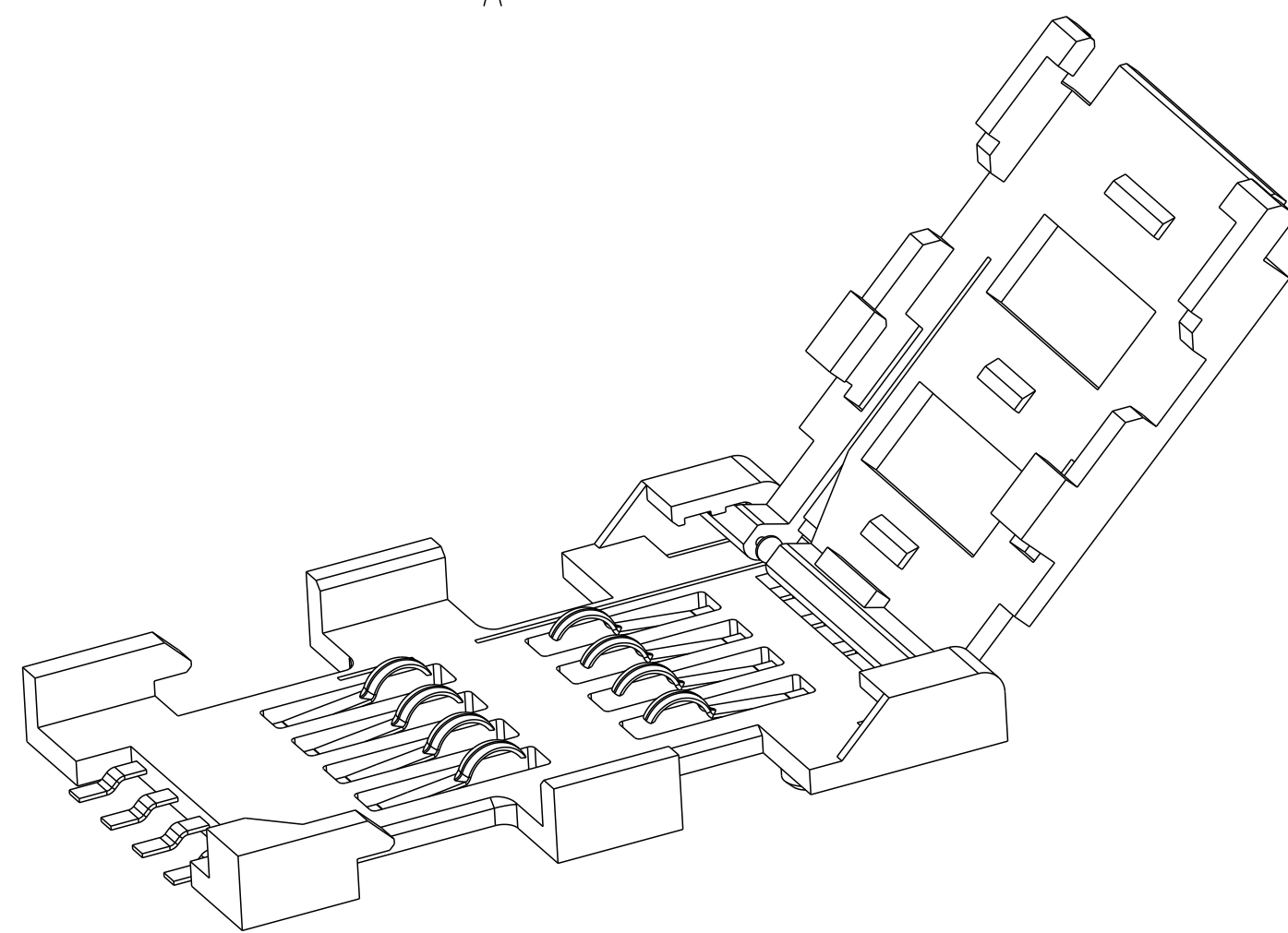
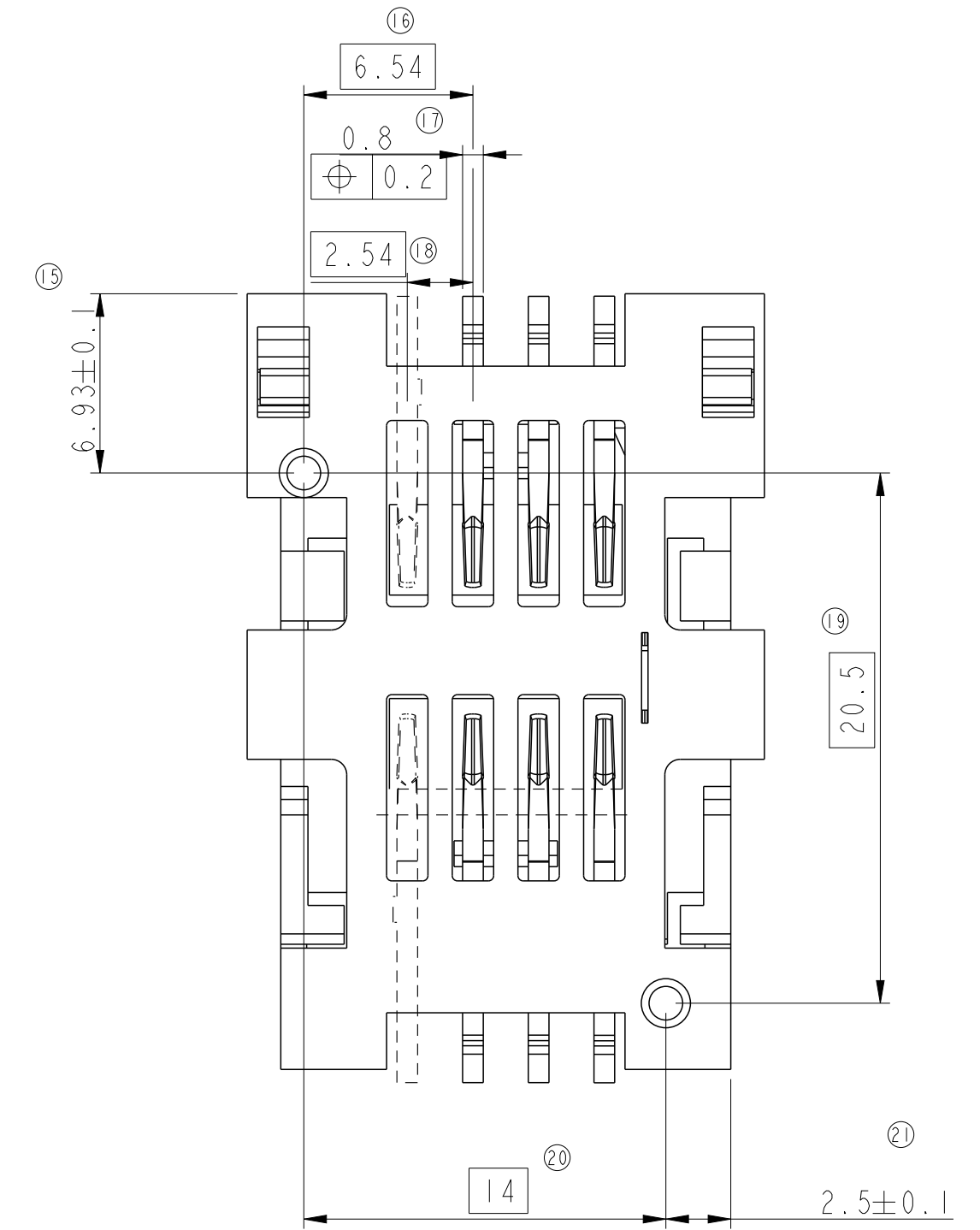
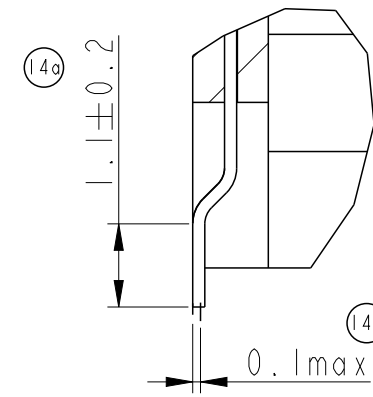


SECTION A-A



DETAIL F  
SCALE 10:1



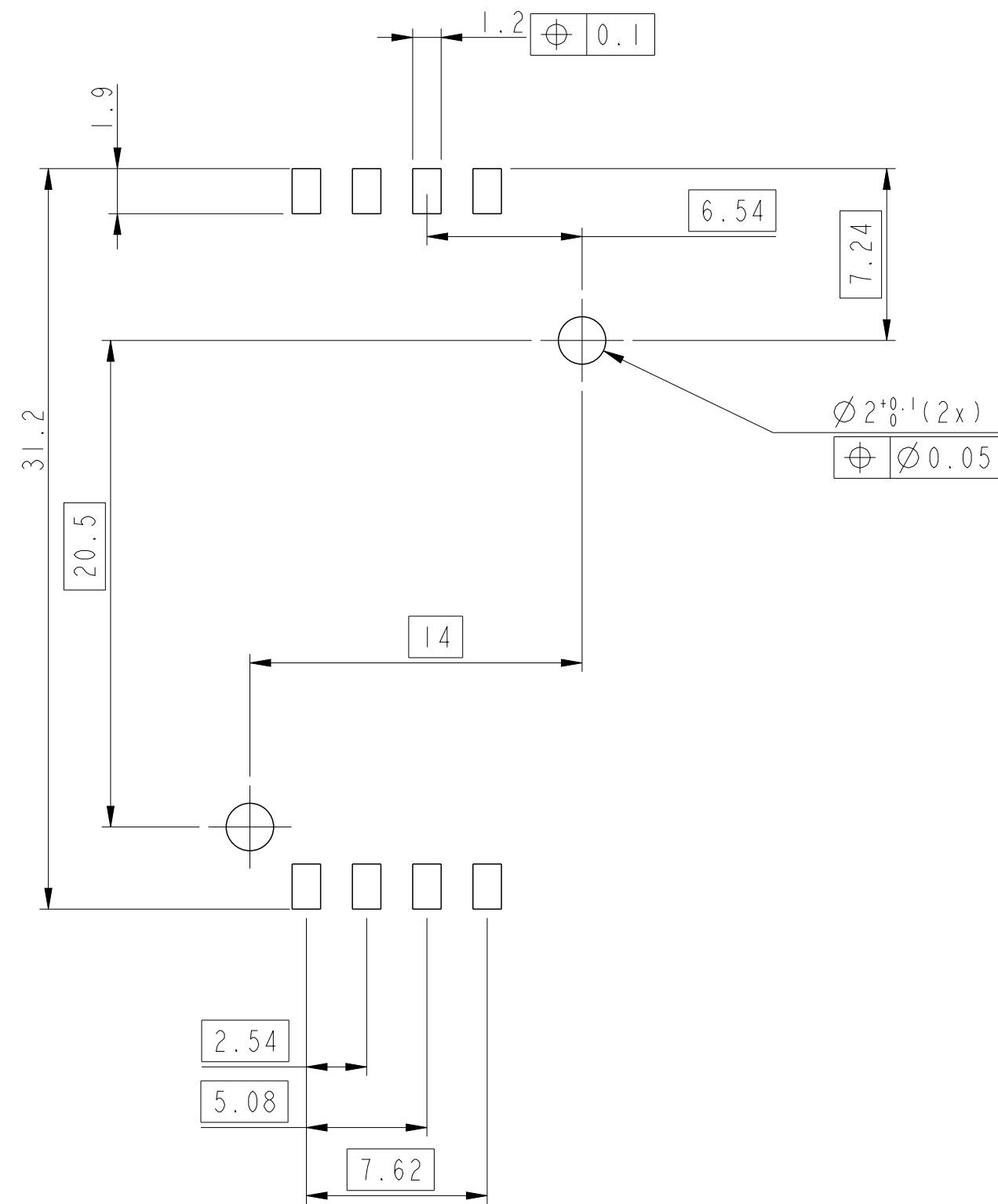
7X12S08XXX01LF

- LEAD FREE
- 5: DURABILITY 10,000 OPERATIONS
- 1: 6 CONTACTS
- 2: 8 CONTACTS
- 1: TAPE N REEL PACKAGING
- 3: TRAY PACKAGING

General Tolerances	
0 to 10mm:	±0.1mm
10 to 30mm:	±0.15mm
30 to 60mm:	±0.2mm
60 and more:	±0.3mm

spec ref	--	dr	P-Mathew Nebu	2011/10/17	projection	mm	size	A2	scale	4:1	
tolerance std	ISO 406 ISO 1101	eng	P-Mathew Nebu	2013/08/19		mm	ecn no	ELX-I-15417-2	rel level	Released	
TOLERANCES UNLESS OTHERWISE SPECIFIED		chr	-	appr							K-Paul Biju
surface	ISO 1302	linear	0.X	±		title ASSY PERFORATED COVER/SPRING SIM S08	dwg no VRW11496	rev F	Product - Customer Draw		
		angular	0°	±					cat. no.	see table	sheet 1 of 2
				www.fci.com							

**RECOMMENDED PCB LAYOUT**



**TECHNICALS SPECIFICATION:**

**Material:**

- Plastic parts in High Temp. Thermoplastic, Colour Grey Rated UL 94V0.
- Contacts in copper alloy.
- Plating: Au / Equivalent PdNi over Ni on contact area
- Solder area : Matte Tin over Ni on solder tails
- Spring: steel

**Electrical features:**

- Insulation resistance : <math>< 1000 M\Omega</math>
- Contact resistance : <math>< 100 m\Omega</math>
- Voltage Max : > 1000Vrms
- Current : min 10 $\mu$ A to max 1A

**Mechanical features:**

- 10 000 cycles
- Contact force : 0.5 N per contact

**Environmental features:**

- Operating Temperature : -40 $^{\circ}$ C a +90 $^{\circ}$ C
- temperature range : -40 $^{\circ}$  C to 100 $^{\circ}$ C

**LEAD FREE VERSION:**

"This product meets European Union Directives and other country regulations as described in GS-47-0004"

The housing will withstand exposure to 260 $^{\circ}$ C peak temperature for 10seconds in a convection reflow oven.



Copyright FCI.

spec ref	--	dr	P-Mathew Nebu	2011/10/17	projection	mm	size	A2	scale	4:1
tolerance std	ISO 406 ISO 1101	eng	P-Mathew Nebu	2013/08/19		mm	ecn no	ELX-15417-2		
TOLERANCES UNLESS OTHERWISE SPECIFIED		chr	-	rel level				Released		
surface	ISO 1302	appr	K-Paul Biju	2013/08/20	product family	MOBILE I/O	rel level	Released		
linear	0.X $\pm$			title ASSY PERFORATED COVER/SPRING SIM S08		dwg no VRW11496	rev F	Product - Customer Drw sheet 2 of 2		
linear	0.XX $\pm$									
linear	0.XXX $\pm$									
angular	0 $^{\circ}$ $\pm$	www.fci.com	cat. no.	--	Product - Customer Drw			sheet 2 of 2		