

RoHS Compliant

COAXIAL CONNECTORS

2008

CAT.NO.COAX-007A-E.FEB.2008



COAXIAL
CONNECTORS

Japan Aviation Electronics Industry, Ltd.

- FREQUENCY RANGE TO 3GHz
- HIGH DENSITY MULTIPLE TYPE

CJ2 Series

The CJ2 series supports Futurebus+ (IEC 1301.1 /IEEE.P896.2) high density multi pole packaging. The connectors of this series can mount up to six coaxial contacts on a housing the size of our MJ01 series IEC 61076-4-104 compliant 24 pin connectors.

Hard Metric vertical back panel to board application.

Easy to operate: several coaxial contacts can be simultaneously connected and disconnected on the board.

- Vertical board to board application with straight type (for back plane) and right-angle type (for daughter card).
- Smooth coupling with a coupling guide that corrects for a misalignment up to 1 to 1.5 mm at the time of coupling.
- Can mount one to six coaxial contacts (through-hole plugs with two, four and six coaxial contacts)
- Applications : Base Station for Mobile Communications, Carrier Devices, Measuring Instruments



SPECIFICATIONS

Characteristic Impedance	50Ω
Frequency Range	DC to 3GHz
D. W. Voltage	AC500Vr.m.s. (1minute)
Insulation Resistance	1000 megohms min. (DC500V)
Contact Resistance	Center Contacts : 50 milliohms max. Outer Contacts : 20 milliohms max.
V. S. W. R.	1.3 max. (DC to 3GHz)
Applicable Cables	0.8D-W, UT85

MATERIALS/FINISHES

Description	Materials/Finishes
Contacts	Copper Alloy/Gold Plated over Nickel
Insulator	Plug Contact : PTFE Socket Contact : Polymethylpentene
Housing	Glass-filled LCP (Ivory)
Ground Plate	Copper Alloy /Tin Plated
Sleeve	Copper Alloy/Gold Plated over Nickel
Ferrule	Copper Alloy/Nickel Plated
Clip	Copper Alloy/Nickel Plated

In addition to independent cable application type, we also harness products which satisfy your specification are available. Refer to pages 109 to 111 for details.

Guide to Operation Manuals

When using any of these products, please confirm the following operation manuals.

- For 0.8DW cables : J AHL-2138-1
- For 0.085 inch Semi-flexible cables: J AHL-2138-2

CJ2 Series

TYPES AND COMBINATIONS

Dimensions in millimeters

Jack (For Back Plane)

●Housing · Straight
P/N : CMJ2-6S

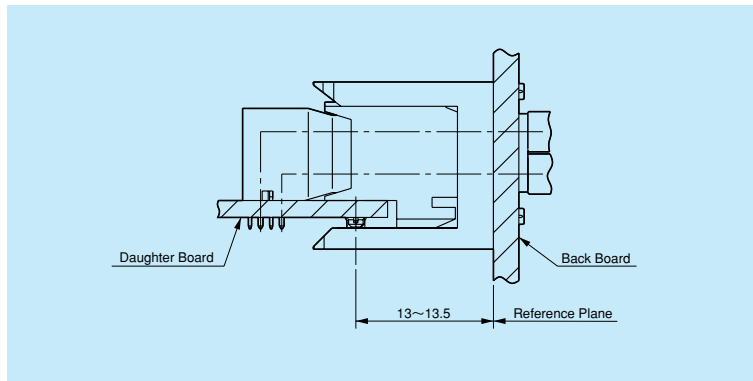


●Contact
P/N : CJ2F00*D**



Plug (For Daughter Card)

●Through-hole Solder · Right-angle
P/N : 2 Contacts · CJ2N001D000
4 Contacts · CJ2N002D000
6 Contacts · CJ2N003D000



JACK (For Back Plane)

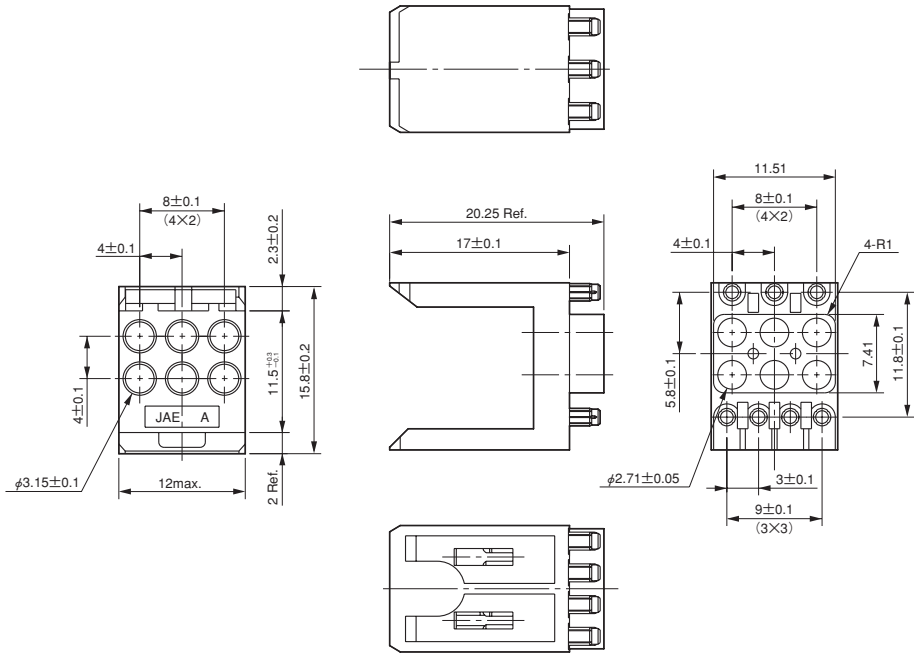
Housing · Contact

Interchangeable with PLUG (78 Page)

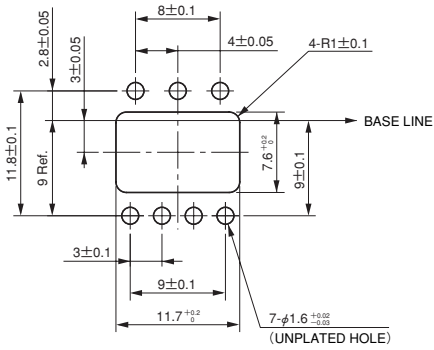
Dimensions in millimeters

HOUSING

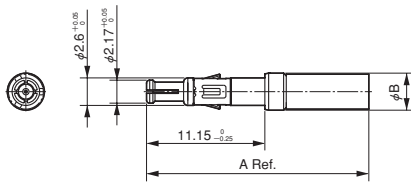
Straight
6 Contacts
Part Number : CMJ2-6S



PC BOARD LAYOUT · MOUNTING SIDE (REF.)
(PC BOARD THICKNESS : 2.4mm min.)



CONTACT



Part Number/Dimensions

Cable Type (Equivalent)	Part Number	A
0.8D-2W	CJ2F002D22	21 Ref.
0.085 inch Flexible	CJ2F001DB1	22

(Note) The picture on the right shows the CJ2F002D22. The shapes varies slightly for the CJ2F001DB1.

(Note) Procedure for wire connection...See pages 113 to 120

CJ2 Series

PLUG (For Daughter Card)

Through-hole Solder Type

Interchangeable with JACK (77 Page)

Dimensions in millimeters

Right-angle

Part Number :

2 Contacts · CJ2N001D00

4 Contacts · CJ2N002D00

6 Contacts · CJ2N003D00



Contacts Insertion Position

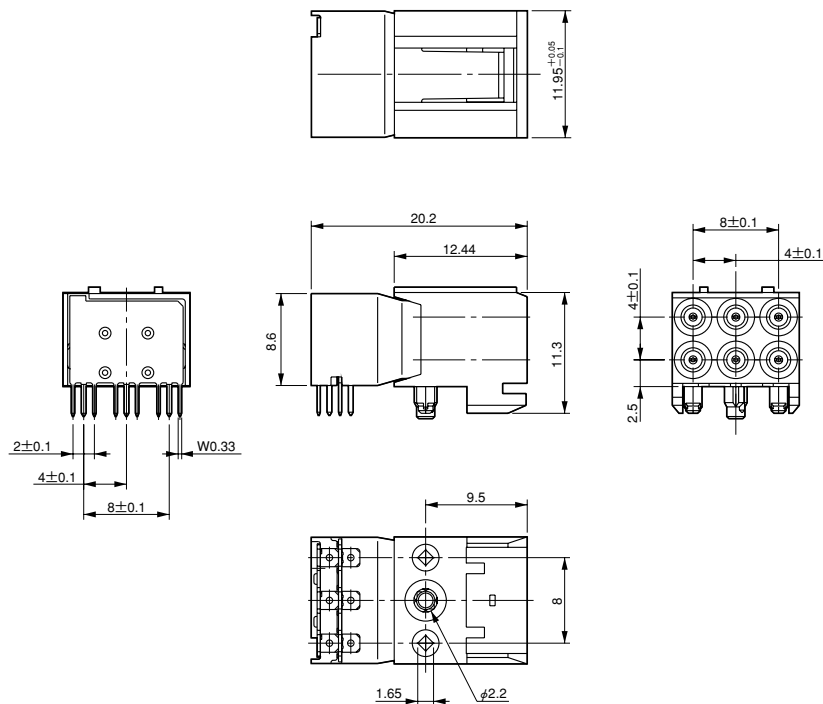
2 Contacts



4 Contacts

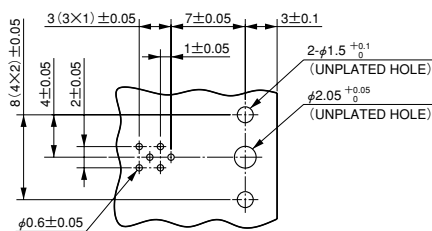


6 Contacts

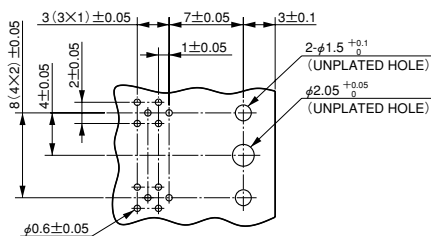


PC BOARD LAYOUT • MOUNTING SIDE (REF.)
(PC BOARD THICKNESS : 1.6mm)

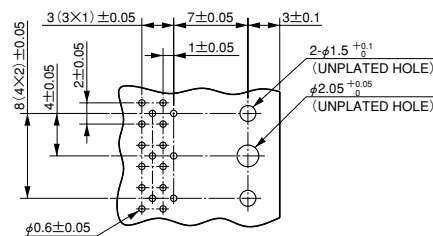
2 Contacts



4 Contacts



6 Contacts



Before placing an order

- ①The values specified in this catalogue are only for reference. The products and specifications are subject to change without notice. Contact our sales staff for further information before considering or ordering any of our products. For purchase, a product specification must be agreed upon.
- ②Users are requested to provide protection circuits and redundancy circuits to ensure safety of the equipment, and sufficiently review the suitability of JAE's products to the equipment.
- ③The products presented in this catalogue are designed for the uses recommended below. We strongly suggest you contact our sales staff when considering use of any of the products in any other way than the recommended applications or for a specific use that requires an extremely high reliability.

(1)Applications that require consultation:

- (i)Please contact us if you are considering use involving a quality assurance program that you specify or that is peculiar to the industry, such as:
Automotive electrical components, train control, telecommunications devices (mainline), traffic light control, electric power, combustion control, fire prevention or security systems, disaster prevention equipment, etc.
- (ii)We may separately give you our support with a quality assurance program that you specify, when you think of a use such as:
Aviation or space equipment, submarine repeaters, nuclear power control systems, medical equipment for life support, etc.

(2)Recommended applications include:

Computers, office appliances, telecommunications devices (terminals, mobile units), measuring equipment, audiovisual equipment, home electric appliances, factory automation equipment, etc.

Japan Aviation Electronics Industry, Limited

1-19, Aobadai 3-chome, Meguro-ku, Tokyo 153-8539, Japan
Telephone: (81)3-3780-2768 Facsimile: (81)3-3780-2883

<http://www.jae.com>

<http://www.jae-connector.com>

JAE Electronics, Inc.

142 Technology Drive, Suite 100 Irvine, California 92618-2430, U.S.A.
Telephone: (1)949-753-2600 Facsimile: (1)949-753-2699
(800)JAE-PART (523-7278) Toll free in U.S.A. except in California and Alaska

JAE Europe, Ltd.

Coliseum Business Center, Riverside Way, Camberley, Surrey GU15 3YL, U.K.
Telephone: (44)1276-404000 Facsimile: (44)1276-404010

JAE Taiwan, Ltd. <Taipei Branch Office>

4F-1, No.88, Sec.2, Chung Hsiao E.Rd., Taipei, Taiwan, R.O.C.
Telephone: (886)2-2396-7676 Facsimile: (886)2-2392-5929

JAE Hong Kong, Ltd.

Suites 1407-11,14/F., Tower2, The Gateway, 25 Canton Road,
Tsimshatsui, Kowloon, Hong Kong
Telephone: (852)2723-7782 Facsimile: (852)2723-9028

JAE Shanghai Co., Ltd.

RM1407, Shanghai Mart 2299 Yanan Road (West) Shanghai, 200336 P.R.C.
Telephone: (86)21-6236-0322 Facsimile: (86)21-6236-1292

JAE Singapore Pte Ltd.

33 Tannery Lane, #02-01 Hoesteel Industrial Building, Singapore 347789
Telephone: (65)6748-1332 Facsimile: (65)6748-2920

JAE Korea, Inc.

1602, City Air Tower, 159-9, Samsung-dong, Gangnam-gu, Seoul, 135-973 Korea
Telephone: (82)2-551-8959 Facsimile: (82)2-551-8958

