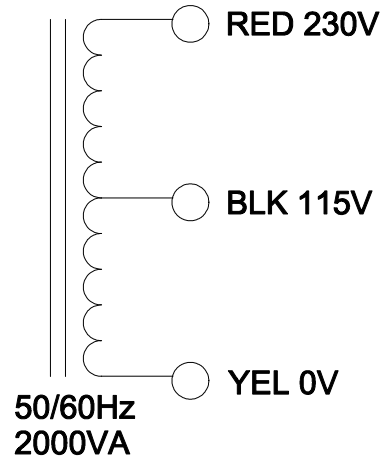


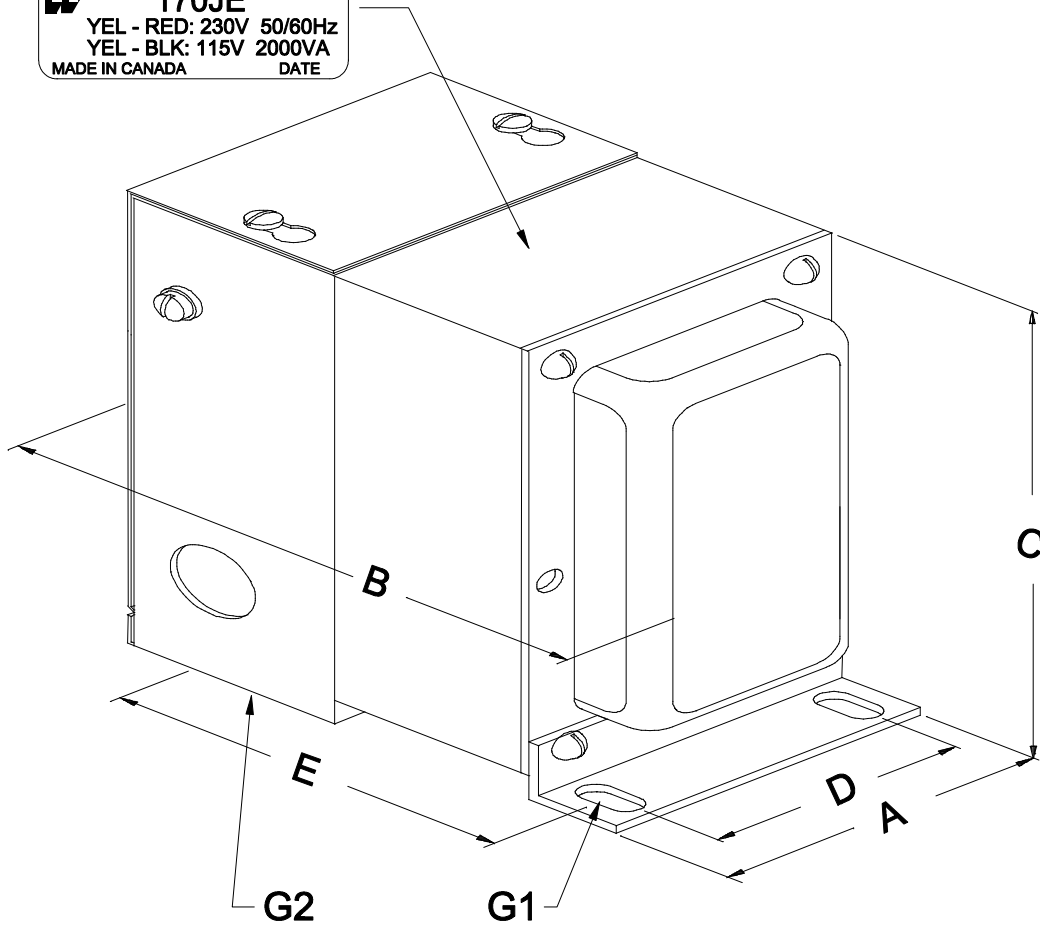
EDB170JE

DIMENSIONS:	
A	4.375" ±0.063
B	7.000" ±0.125
C	5.500" ±0.063
D	3.250" ±0.063
E	5.875" ±0.063
G1	0.281" x 0.625" ±0.015
G2	0.250" x 0.500" ±0.015

UNIT WEIGHT: 24LBS.



HAMMOND MANUFACTURING
170JE
 YEL - RED: 230V 50/60Hz
 YEL - BLK: 115V 2000VA
 MADE IN CANADA DATE



NOTE: LEADS FROM COIL 8" OUT MIN.-STRIP 0.5"

HAMMOND MANUFACTURING™

ELECTRONIC DIVISION
 52 RANKIN PLACE,
 WATERLOO, ONTARIO, N2J 3Z5
 PH # (519) 886-6181
 FAX # (519) 886-9540

TITLE

170JE

NO	DATE	REVISION	DWG. BY
0	10/29/10	RELEASED. C.I.	CORINA ILIE
			DATE
			10/29/10
			DIM IN(×)MM()

EDB170JE