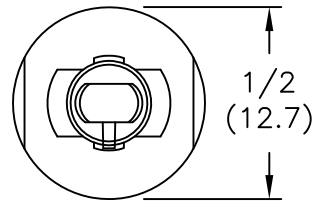
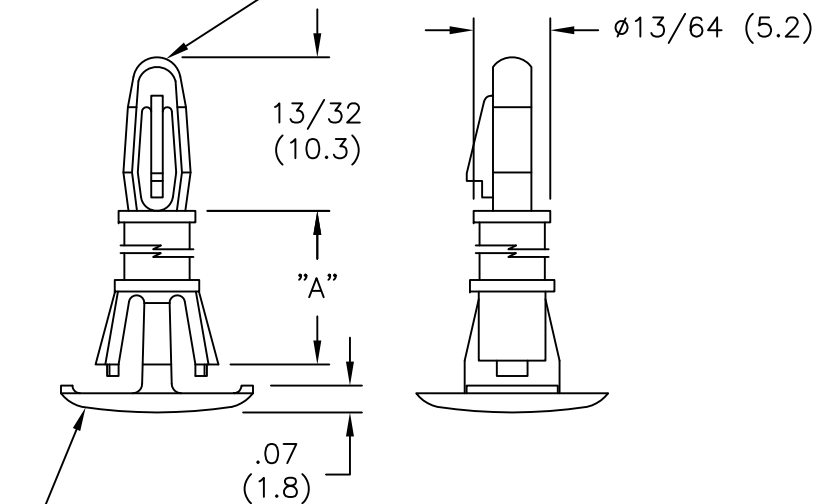


| PART #        | DIM. "A"<br>±.015(0.4) |
|---------------|------------------------|
| RLCBSR1-4-01  | 1/4 (6.4)              |
| RLCBSR1-6-01  | 3/8 (9.5)              |
| RLCBSR1-8-01  | 1/2 (12.7)             |
| RLCBSR1-10-01 | 5/8 (15.9)             |



TO SNAP-LOCK IN A .156(4.00)  
±.003(0.08) DIA. HOLE, IN A  
.062(1.57) THICK BOARD/PANEL.



TO SNAP-LOCK IN A .250±.003  
(6.35±0.08) DIA. HOLE, IN  
A .059 TO .065 (1.50 TO 1.65)  
THICK PANEL/BOARD

NOTES:

- MATERIAL: NYLON 6/6 (RMS-01).  
FLAME RETARDANT NYLON (RMS-19),  
AVAILABLE BY SPECIAL ORDER.
- COLOR: NATURAL.

|   |                  |  |      |           |  |            |  |
|---|------------------|--|------|-----------|--|------------|--|
| TITLE: REVERSE LOCK CKT. BD. SUPPORT, STYLE #1                            |                  | DWG IN IN(MM)  |      | FINAL     |  |            |  |
| TOLERANCES UNLESS NOTED<br>.XX=±.010<br>.XXX=±.015<br>FRAC=1/64<br>ANG=1° | FILE # RLCBSR1   | DWN: J.B./R.T.   | APP: | PART #    |  | PRINT TYPE |  |
|   | MAT'L: SEE NOTES | DT: 11-17-95   | DT:  | SEE TABLE |  | CA         |  |
|   | RE: RICHCO INC.  | RICHCO INC.<br>PO BOX 804238, CHICAGO, 60680<br>(773) 539-4060 |      |           |  |            |  |

| REV | DESCRIPTION                   | ENGR DATE     |
|-----|-------------------------------|---------------|
| D   | ADDED ø13/64 (5.2), CO 200708 | SK 09.14.11   |
| C   | SEE ECN #539 FOR CHANGES      | SM 12.10.02   |
| B   | CHANGED FILE NUMBER           | SM 05.03.01   |
| A   | MAT'L RMS-19 ADDED            | J.L. 12.29.97 |