

4

3

2

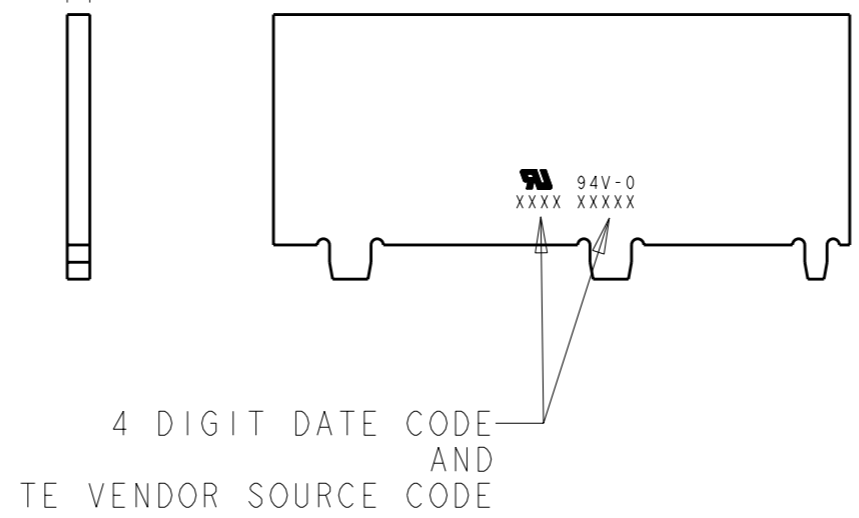
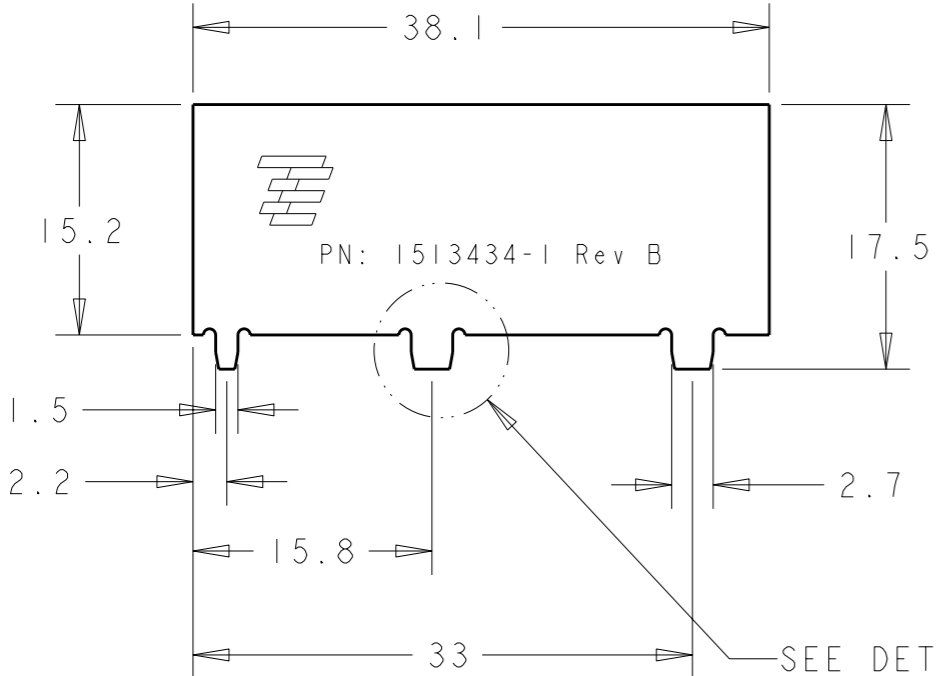
1

THIS DRAWING IS UNPUBLISHED. RELEASED FOR PUBLICATION 20
 © COPYRIGHT 20 BY TYCO ELECTRONICS CORPORATION. ALL RIGHTS RESERVED.

LOC	DIST	REVISIONS			
P	LTR	DESCRIPTION	DATE	DWN	APVD
HQ	00				
	I	Part number creation	07FEB2005	DJL	MAH
	A	Release	03MAR2005	DJL	MAH
	AI	Updated to RoHS compliant	11JAN2006	DJL	MAH
	B	Rev per ECO 09-028530	05JAN2010	DW	GG

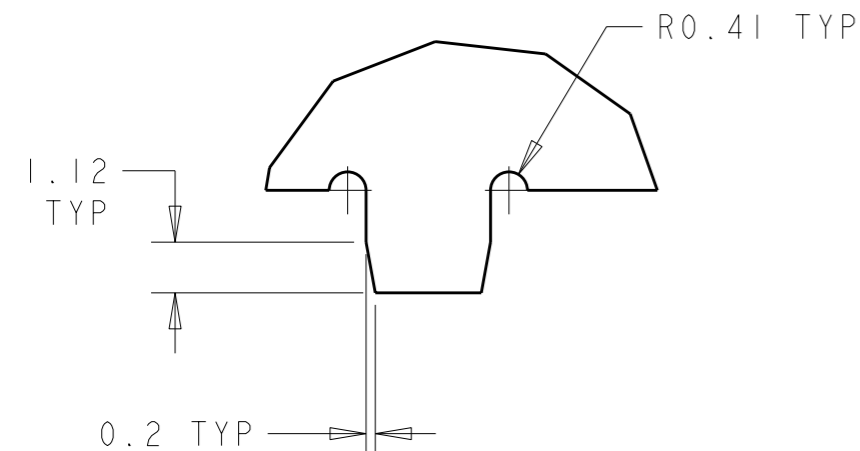
- NOTES: UNLESS OTHERWISE SPECIFIED.
- FABRICATED TO MEET IPC - 6012, CLASS 2. INSPECT TO MEET IPC - A - 600, CLASS 2.
 - MATERIAL: GETEK 8 PLY (7628) 1.49 THK. P/N RG200D 1/2 OZ. COPPER BOTH SIDES. DIELECTRIC CONSTANT @ 1MHZ 4.2 ± 0.1.
 - PRIMARY AND SECONDARY SIDE SHOWN.
 - FINISH:
 A: SOLDERMASK OVER BARE COPPER (SMOBC).
 B: MASK BOTH SIDES OF PCB WITH LPI SOLDERMASK. SOLDERMASK COLOR: NATURAL GREEN.
 C: TOP AND BOTTOM OF TABS E.N.I.G PLATING
 - TWO PLACE TOLERANCES: ±0.23
 - PACKAGING: SINGULATED PARTS TO BE VACUUM PACKED IN BULK.
 - PARTS ARE COMPLIANT TO ROHS STANDARDS PER TYCO ELECTRONICS STANDARD TEC-138-702.
 - CONSULT TYCO ELECTRONICS DATA SHEET DSI513434
 - CONTACT TYCO ELECTRONICS ENGINEERING PRIOR TO DESIGNING INTO AN APPLICATION

1.57
OVERALL THICKNESS



4 DIGIT DATE CODE
AND
TE VENDOR SOURCE CODE

SEE DETAIL **A**



DETAIL **A**
SCALE 6:1

THIS DRAWING IS A CONTROLLED DOCUMENT FOR TYCO ELECTRONICS CORPORATION IT IS SUBJECT TO CHANGE AND THE CONTROLLING ENGINEERING ORGANIZATION SHOULD BE CONTACTED FOR THE LATEST REVISION.		DWN DJL	11JAN2006	Tyco Electronics Rochester, New York 14623	
DIMENSIONS: mm		CHK -	APVD -	NAME	
		PRODUCT SPEC -	APPLICATION SPEC -	European Dual Band 880-960MHz 1710-1880MHz Antenna	
TOLERANCES UNLESS OTHERWISE SPECIFIED:		WEIGHT -	SIZE A3	CAGE CODE 00779	DRAWING NO C-1513434
MATERIAL -		CUSTOMER DRAWING		RESTRICTED TO -	SCALE - SHEET 1 OF 1 REV B
FINISH -					