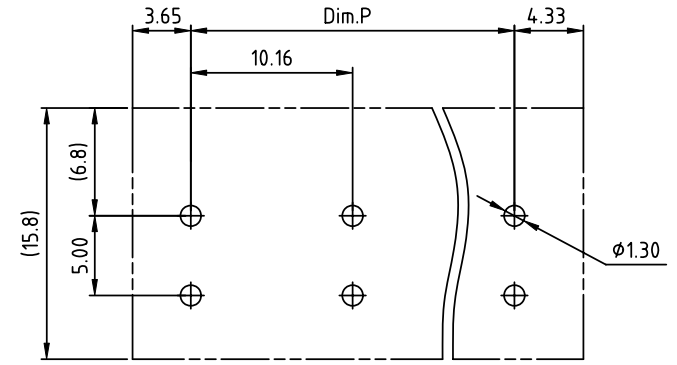
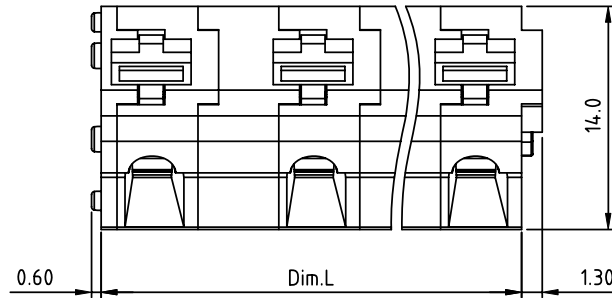


| | |
|----------------|---------|
| PRODUCT NUMBER | PITCH |
| HTxx40x000JOG | 10.16mm |



RECOMMENDED P.C.B LAYOUT
TOP VIEW

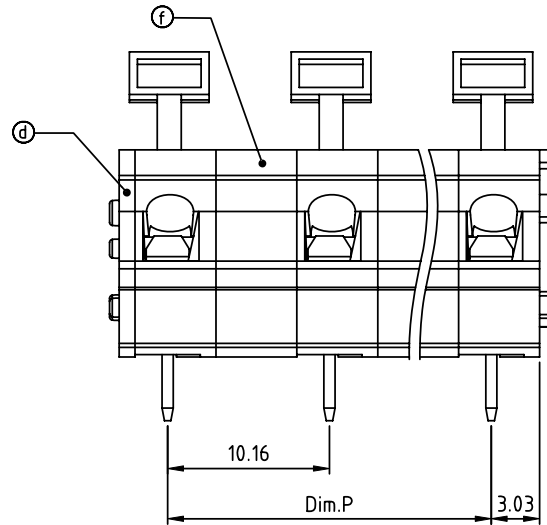
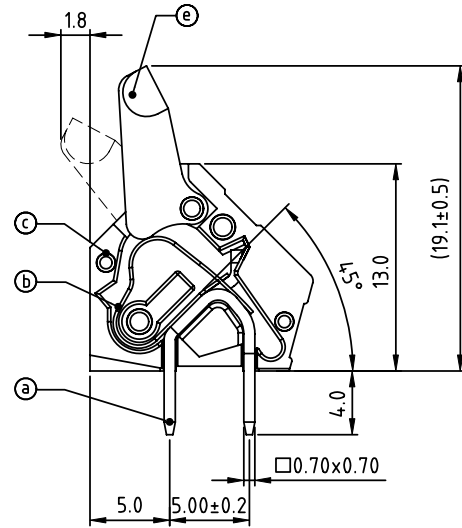
Material:

- Item (a) Solder pin: Brass, Tin plated
- Item (b) Spring clamp: Stainless steel
- Item (c) Terminal housing: Thermoplastic (UL94V-0)
- Item (d) Terminal cover: Thermoplastic (UL94V-0)
- Item (e) Terminal lever: Thermoplastic (UL94V-HB)
- Item (f) Pad board: Thermoplastic (UL94V-0)

Electrical

- Voltage rating: 300V
- Current rating: 15A
- Wire range:
- Solid wire(AWG): 12-28
- Stranded wire(AWG): 12-28
- Wire strip length: 6-7mm
- Withstanding Voltage: 1.6KV
- Operating temperature: -40°C to +115°C
- Soldering temperature: 260°C±5°C/5 Sec
- Safety Approval:

cULus



PART NO.: HT xx 40 x 000JOG

Dim.P=(N-1)×10.16
Dim.L=(N-1)×10.16+6.08
N=Number of poles

| POLES | Dim.L | Dim.P |
|--------|-------|-------|
| 2p-6p | ±0.25 | ±0.25 |
| 7p-12p | ±0.40 | ±0.35 |

| No. of poles | Body Color | RoHS compliant |
|--------------|--------------------|-----------------|
| 0 | Black (RAL9005) | (lead<4%) |
| 2 | Red (RAL3001/D) | In copper Alloy |
| 02 | 2 poles | |
| 03 | 3 poles | |
| ... | ... | |
| 12 | 12 poles | |
| | 5 Green(RAL6018/T) | |
| | 6 Blue (RAL5015/A) | |
| | 8 Grey(RAL7004/P) | |
| | 9 White(RAL1102) | |
| | C Multiple colors | |

| | | | | | | |
|--------------------|----------------|---------------------------------------|-------------------------|------------|----------------------------------|--|
| mat'l. code | | surface ASME Y14.5 | tolerance ASME Y14.5 | projection | product family TERMINAL BLOCK | |
| ltr ecn no dr date | | tolerances unless otherwise specified | | | title TERMINAL BLOCK | |
| | | angles | X.±0.5 | MM | SPRING CLAMP,45D WIRE INLET | |
| | | fin | X.X±0.3 | scale | dwg no sheet 1 of 1 size | |
| | | X*±1* | X.XX±0.1 | | HTxx40x000JOG A4 | |
| | | dr | EVIN ZHONG 052814 | | type CUSTOMER Drawing | |
| | | enr | EVIN ZHONG 052814 | | | |
| | | chr | HANKE FENG 052814 | | | |
| | | appd | SHI JUN 052814 | | | |
| sheet index | revision sheet | A | 1 | | | |