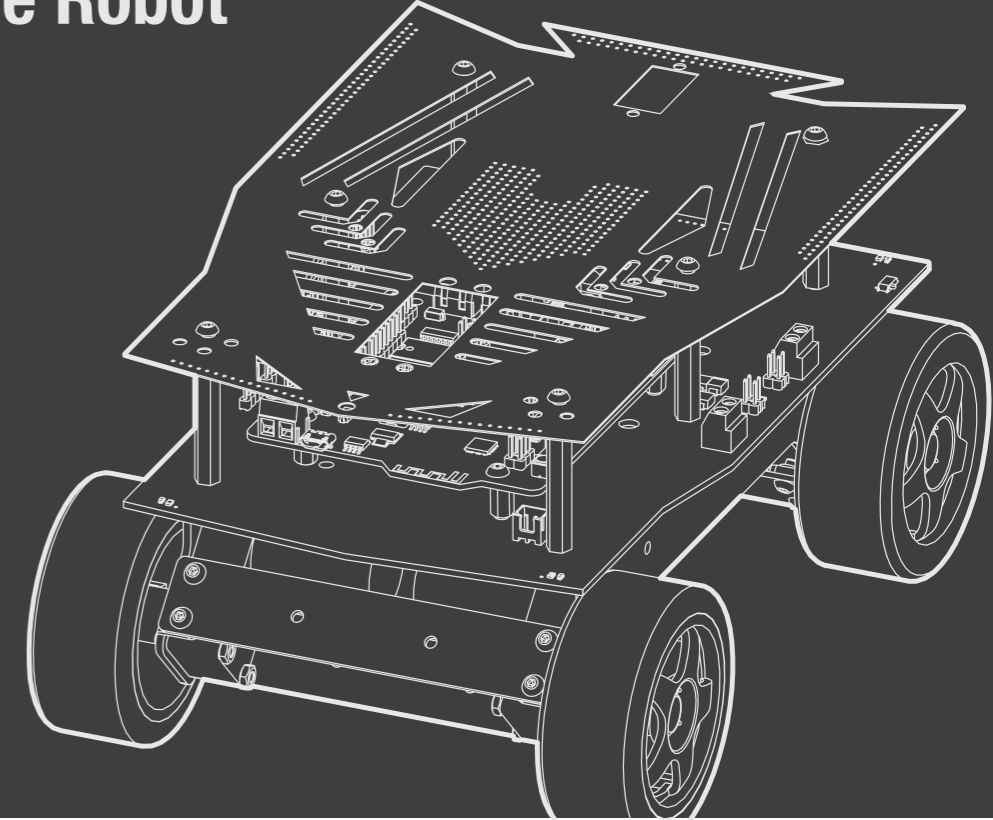


切诺基移动机器人 Cherokey Mobile Robot

—
安装手册
Instruction Manual



网站: www.dfrobot.com.cn

Website: www.dfrobot.com

电话 (Tel): 86-21-61620183

服务支持 (Service): techsupport@dfrobot.com

地址: 中国上海市浦东新区亮秀路112号Y1座615室

Address: Rm. 615, Bldg Y1, NO.112, Liangxiu Rd., Pudong, China

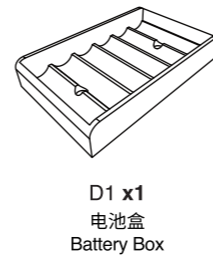
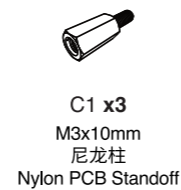
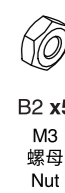
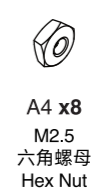
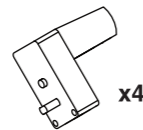
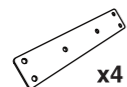
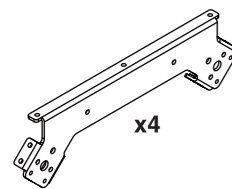
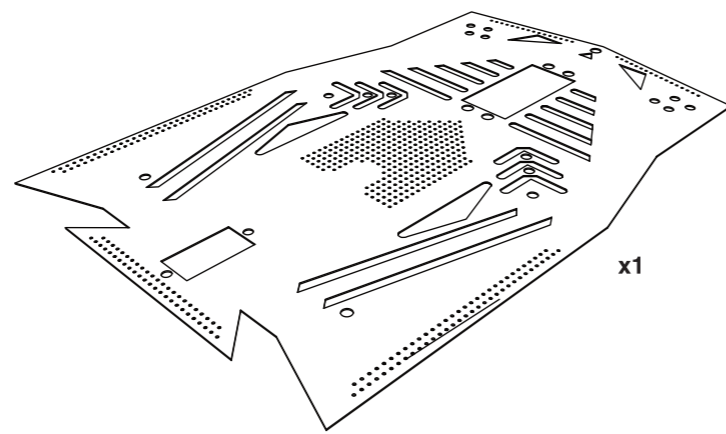
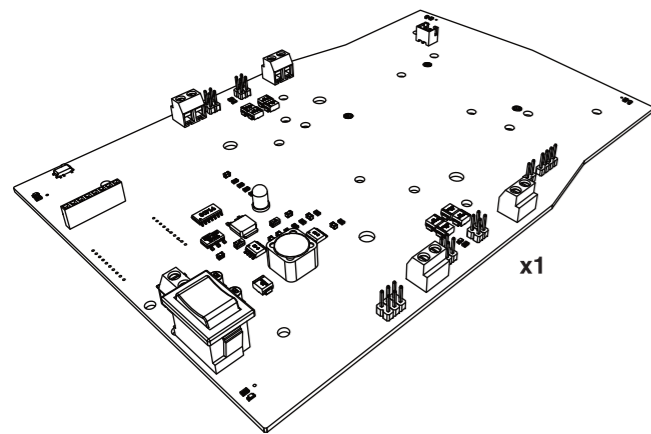
© 本说明书最终解释权归DFRobot所有

DFRobot has the final authority of interpretation on this manual.

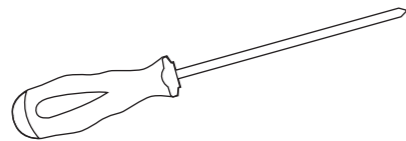


零件清单
Parts List

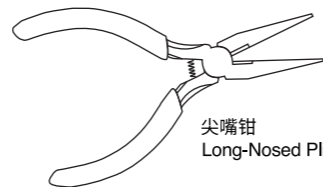
零件清单
Parts List



主要工具
Essential Tools

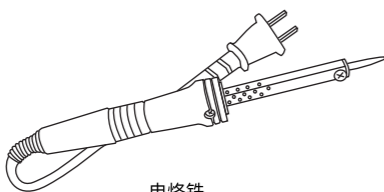


十字螺丝刀
Phillips Screwdriver

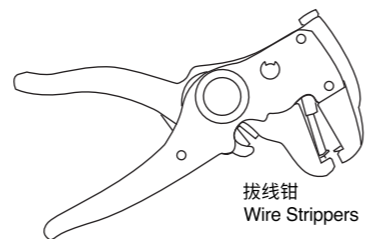


尖嘴钳
Long-Nosed Pliers

可选工具
Optional Tools

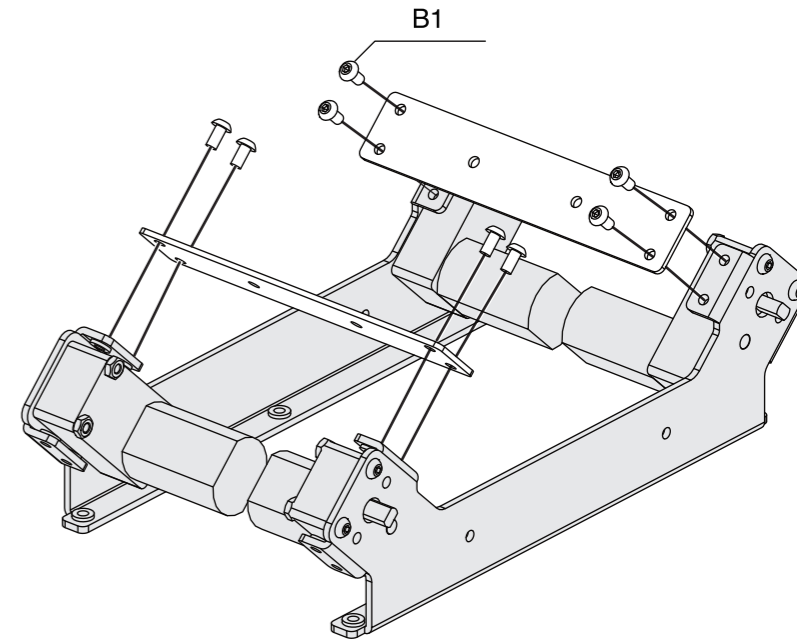
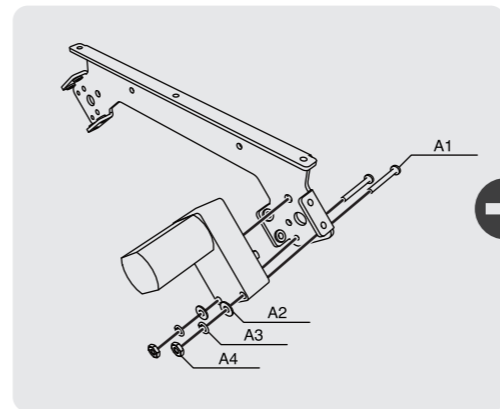


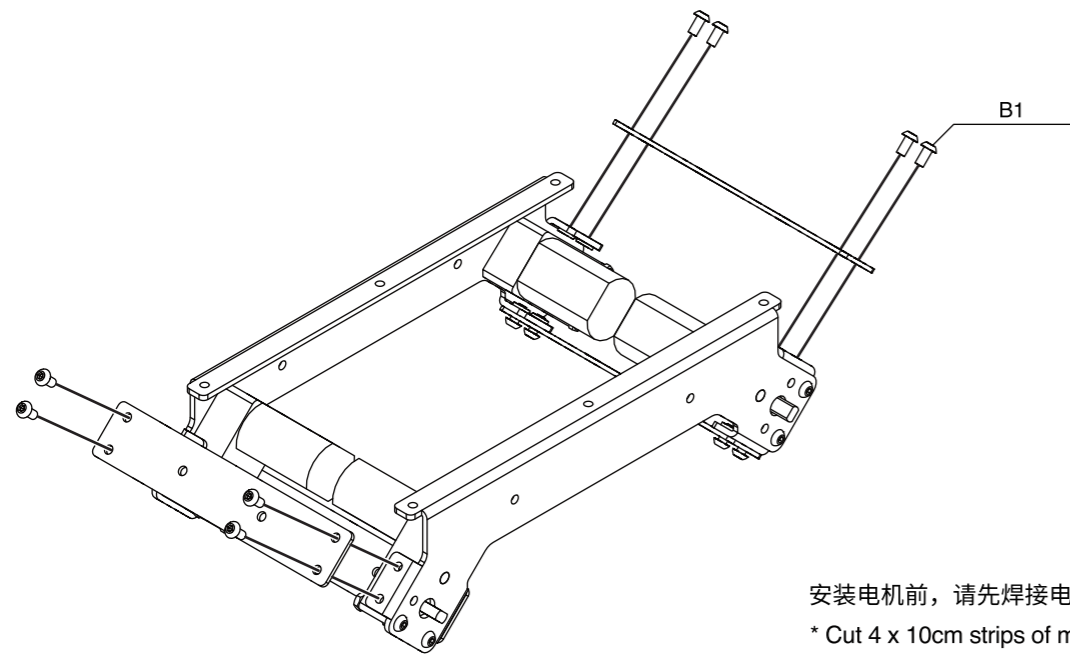
电烙铁
Soldering Iron



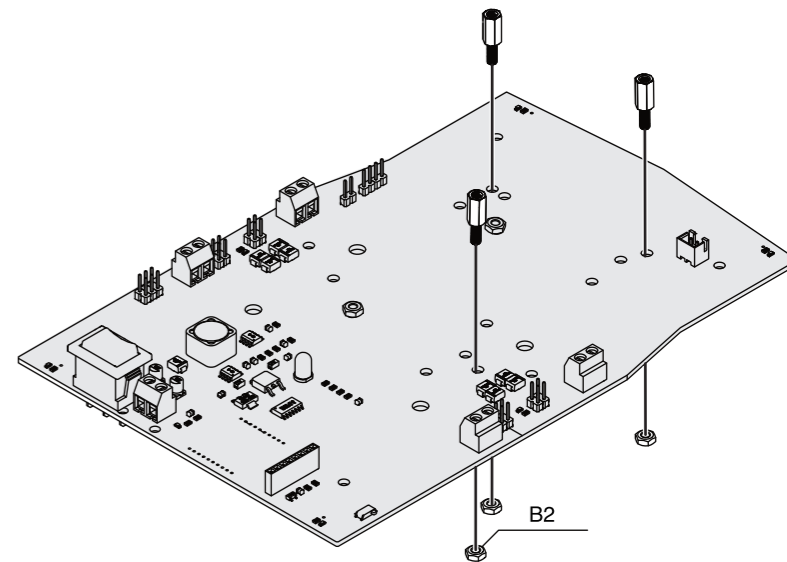
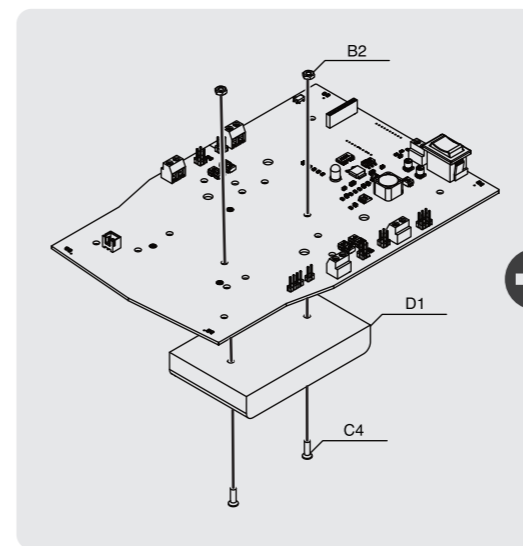
拔线钳
Wire Strippers

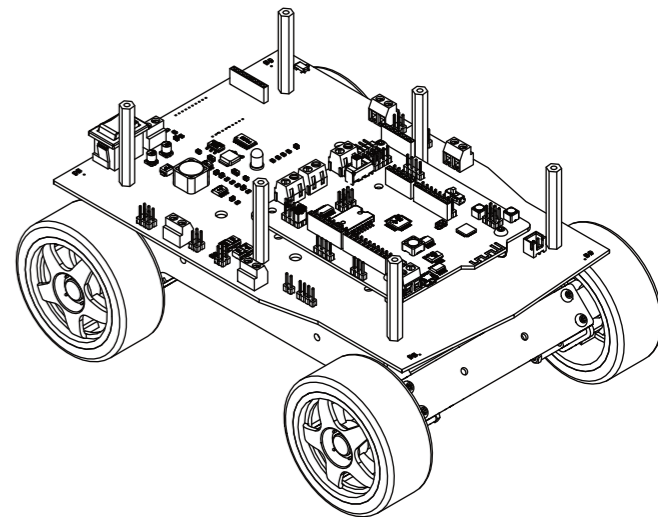
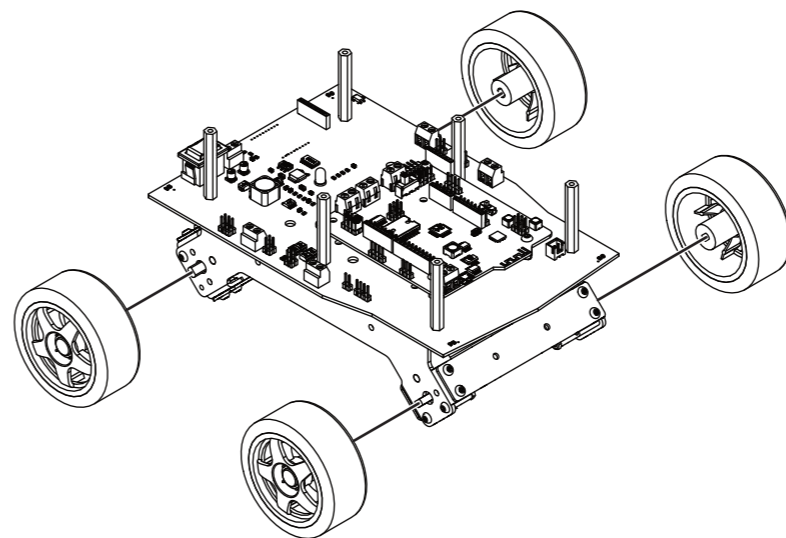
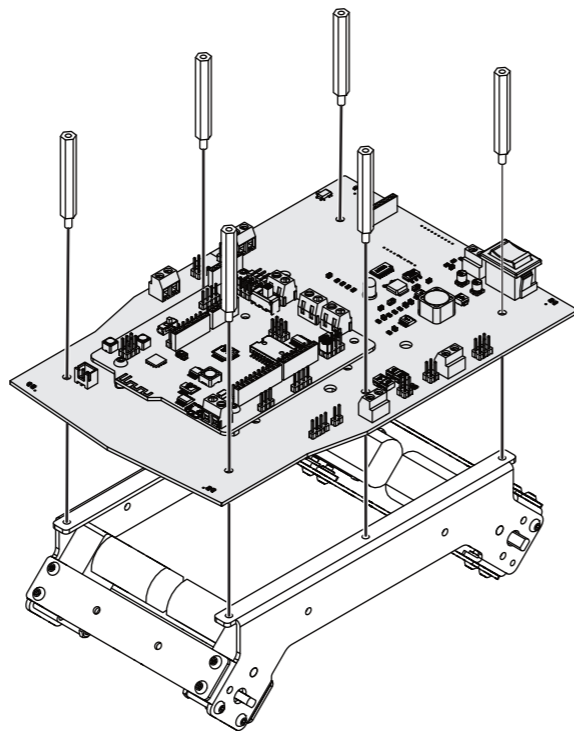
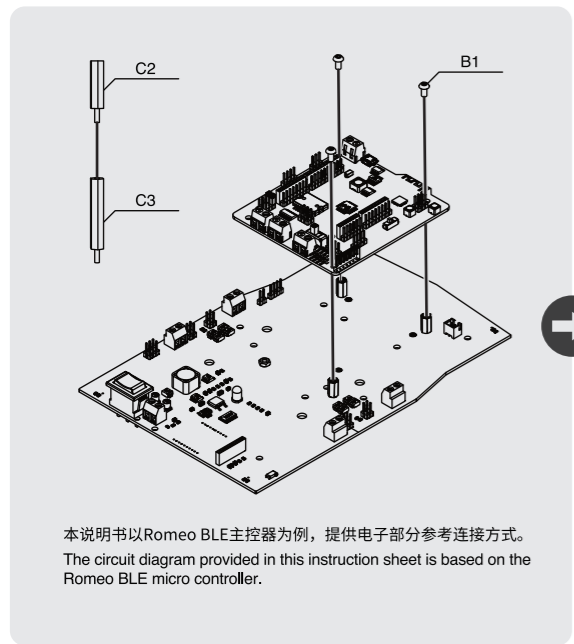
备注：本套件不包含工具和电池。
Note: Tools and Batteries not included.





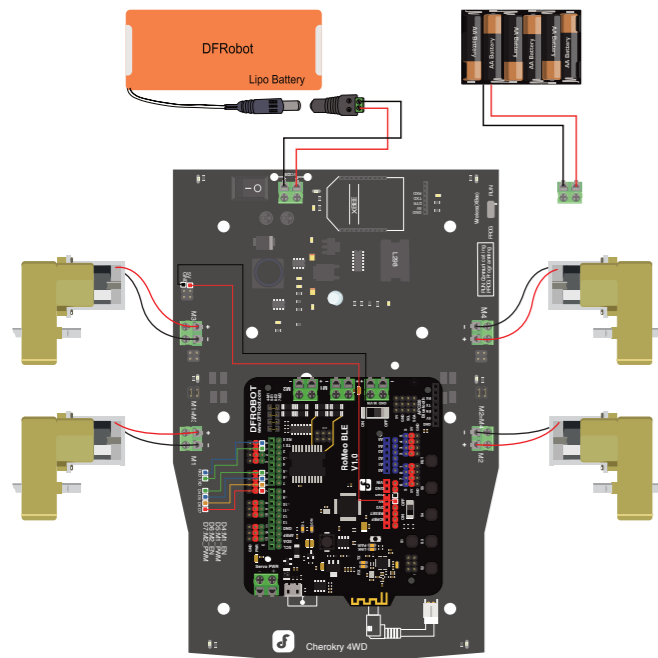
安装电机前，请先焊接电机线。
* Cut 4 x 10cm strips of motor wire
* Solder wires to motor terminals
* Install motors





为了便于后续安装，请将电机线穿过扩展板通孔。
Lead motor power cables through holes to keep it neat and tidy.

电路连接图
Connection



电源连接说明书将提供两种方案：
There are two options to power your device:

- (1) 电池盒供电方案A
(1) Option A: Battery holder power supply.
- (2) 7.4V 充电电池供电方案B
(2) Option B: Rechargeable battery power supply

7.4V 充电电池可在DFRobot商城选购，用户可按需求自行选择。
7.4V LiPo batteries are available at the DFRobot online store.

如想了解更多相关信息，可进入DFRobot Wiki查看更多教程。
<http://wiki.dfrobot.com.cn/>

ROB0102



Refer to tutorials on DFRobot Wiki page for trouble shooting
<https://www.dfrobot.com/wiki>

ROB0102

