

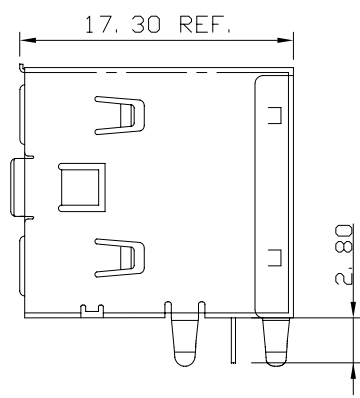
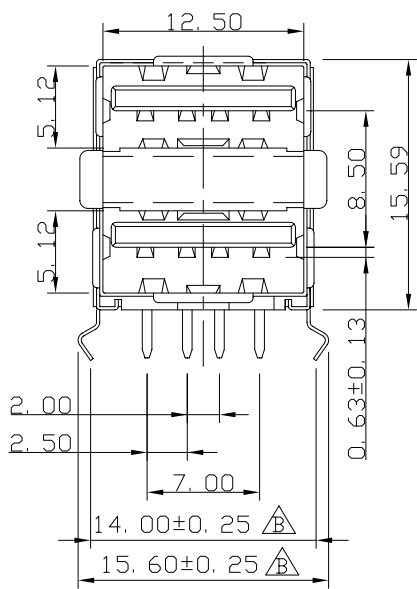
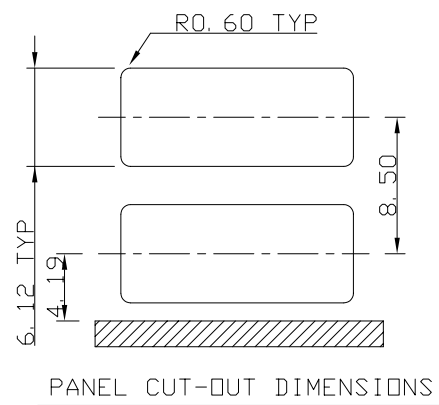
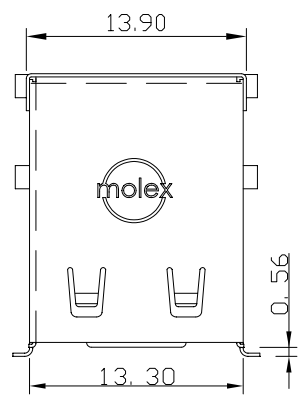
DO NOT SCALE DRAWING

CADFILE NO.

SIMILAR ITEM

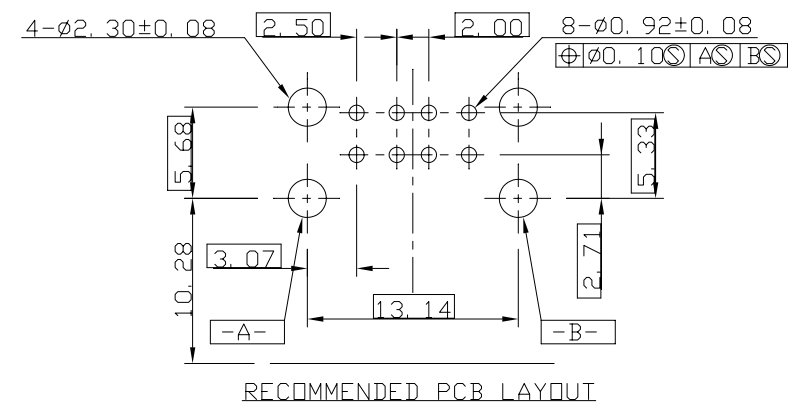
EDP NO.

ENG. NO.



P/N	COLOR	CONTACT PLATING
67298-3000	BLACK	GOLD FLASH
67298-4000	WHITE	GOLD FLASH
67298-3001	BLACK	30u" GOLD
67298-4001	WHITE	30u" GOLD

- NOTE :
- MATERIAL :  
HOUSING : POLYESTER(PBT), 30% GLASS FIBER FILLED, UL94-V0, COLOR: WHITE OR BLACK  
TERMINAL : PHOSPHOR BRONZE  
METAL SHELL : SPCC & SUS
  - PLATING :  
TERMINAL :  
CONTACT AREA : SEE TABLE  
SOLDER TAIL : TIN-LEAD (Sn-Pb) ALLOY, THICKNESS=75 MICROINCH MIN.  
/1.9 MICROMETER MIN.  
UNDER PLATE : NICKEL(Ni), THICKNESS=50 MICREINCH MIN.  
/1.27 MICROMETER MIN.  
METAL SHELL : TIN PLATING, THICKNESS=100 MICROINCH MIN.  
/2.54 MICROMETER MIN.  
UNDER PLATE : NICKEL (Ni), THICKNESS=50 MICROINCH MIN.  
/1.27 MICROMETER MIN.
  - RECOMMENDED PCB THICKNESS : 1.60+/-0.05mm
  - PRODUCT SPECIFICATION : REFER TO PS-67998-0000
  - PACKAGING REFER TO PK-67298-001
  - THE HOUSING MATERIAL IS NOT FOR IR REFLOW PROCESS OR SURFACE MOUNTING COMPATIBLE PROCESS.



ADD PARTS EC NO. T2004-0064 DRWN: IVY LIN CH'K: Sam Shin APPR: Erick Lan  PER EWR 2004-0012 EC NO. T2004-0026 DRWN: LINDA CH'K: Sam Shin APPR: Erick Lan  PER EWR 2003-0017 EC NO. T2003-0144 DRWN: LINDA CH'K: Thompson Wu APPR: Erick Lan	QUALITY SYMBOLS MAJOR = CRITICAL =	GENERAL TOLERANCES: (UNLESS SPECIFIED)		SCALE 2.5:1	DESIGN UNITS <input checked="" type="checkbox"/> MM <input type="checkbox"/> INCH	DIMENSIONS: <input type="checkbox"/> MM <input type="checkbox"/> INCH <input checked="" type="checkbox"/> MM ONLY	SHT 1	REV 1	
		4 PLACES \ \	3 PLACES \ \	2 PLACES ±0.25	1 PLACE ±0.25	DRAWN BY & DATE Ivy Lin 10/22/03		TITLE: USB DUAL STACKED A CONNECTOR	
		ANGLUAR: ±3°				CHECKED BY & DATE		APPROVED BY & DATE	
		DRAFT WHERE APPLICABLE MUST REMAIN WITHIN DIMENSIONS		CAD FILENAME S6729803S1.PDF		MATERIAL NO. SEE TABLE		DRAWING NO. SD-67298-003	
THIS DRAWING CONTAINS INFORMATION THAT IS PROPRIETARY TO MOLEX INCORPORATED AND SHOULD NOT BE USED WITHOUT WRITTEN PERMISSION.						SHEET NO. 1 OF 1		SIZE A4	

F

E

D

C

B

A