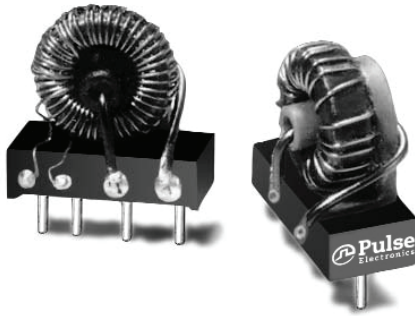


500kHz THT Current Sense Transformers & Inductors



- Frequency range from 200 to 500kHz
- 1250V_{RMS} isolation
- 20 Amp peak sense current

Electrical Specifications @ 25°C - Operating Temperature -40°C to 130°C

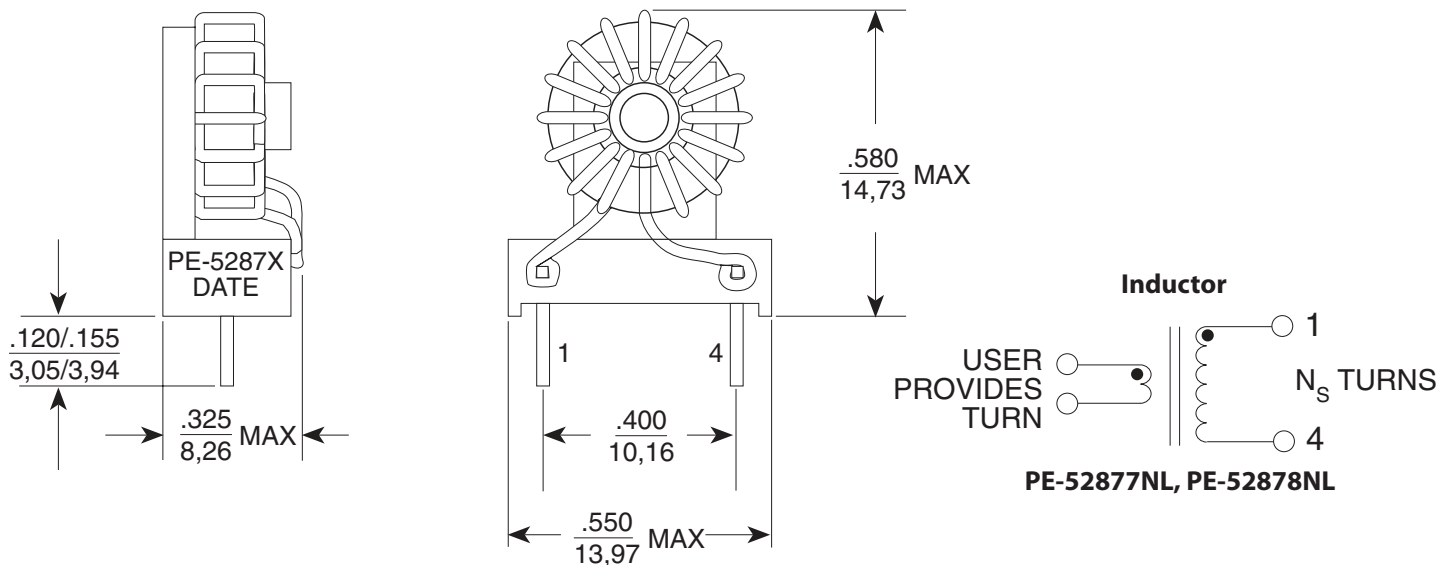
Part Number Inductor	Part Number Transformer	RT ¹ (Ω)	Secondary Turns ² N _s	Secondary Inductance ³ (μH MIN)	DCR Secondary (Ω MAX)	DCR Primary (Ω)	V _s (mV)
PE-52877NL	PE-64977NL	3.00	20	600	.097	.006	60
PE-52878NL	PE-64978NL	7.50	50	4000	.240	.006	160

- Notes:**
1. Terminating resistance for .15 Volt/Amp
 2. ±1 turn
 3. @ 100kHz, @ V_s

Mechanicals

Schematics

PE-52877NL, PE-52878NL



Dimensions: $\frac{\text{Inches}}{\text{mm}}$
 Unless otherwise specified, all tolerances are $\pm \frac{.010}{0,25}$

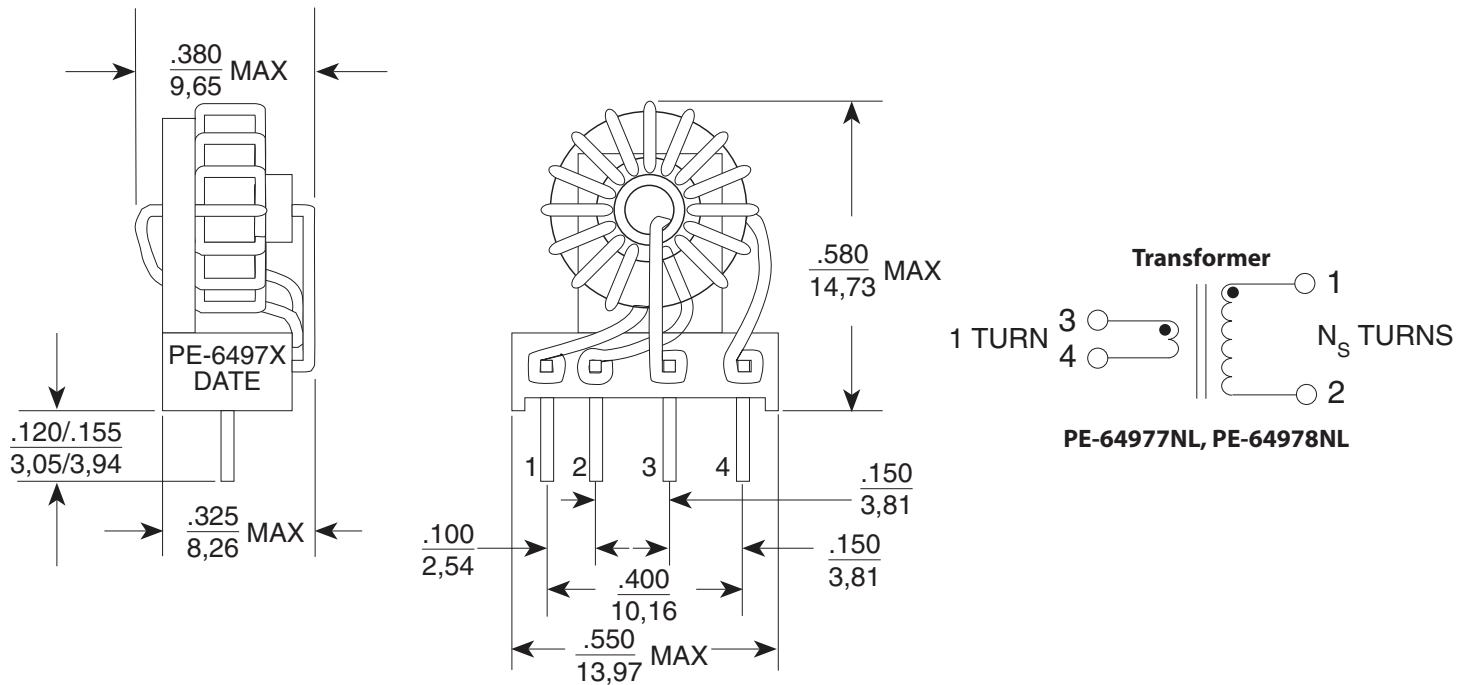
USA 858 674 8100 Germany 49 7032 7806 0 Singapore 65 6287 8998 Shanghai 86 21 62787060 China 86 755 33966678 Taiwan 886 3 4356768

500kHz THT Current Sense Transformers & Inductors

Mechanicals (continued)

Schematics

PE-64976, PE-64977, PE-64978



Dimensions: $\frac{\text{Inches}}{\text{mm}}$

Unless otherwise specified, all tolerances are $\pm \frac{.010}{0,25}$

For More Information

Pulse Worldwide Headquarters

12220 World Trade Drive
San Diego, CA
92128
U.S.A.

Tel: 858 674 8100

Pulse Europe

Einsteinstrasse 1
D-71083 Herrenberg
Germany

Tel: 49 7032 7806

Pulse China Headquarters

B402, Shenzhen Academy of
Aerospace Technology Bldg.
10th Kejian Road
High-Tech Zone
Nanshan District
Shenzhen, PR China
518057

Pulse North China

Room 2704/2705
Super Ocean Finance
Ctr.
2067 Yan An Road
West
Shanghai 200336
China

Pulse South Asia

135 Joo Seng Road
#03-02
PM Industrial Bldg.
Singapore 368363

Tel: 65 6287 8998
Fax: 65 6287 8998

Pulse North Asia

3F, No. 198
Zhongyuan Road
Zhongli City
Taoyuan County 320
Taiwan R. O. C.
Tel: 886 3 4356768
Fax: 886 3 4356823
(Pulse)

Performance warranty of products offered on this data sheet is limited to the parameters specified. Data is subject to change without notice. Other brand and product names mentioned herein may be trademarks or registered trademarks of their respective owners. © Copyright, 2015, Pulse Electronics, Inc. All rights reserved.