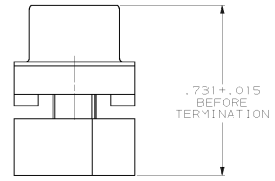
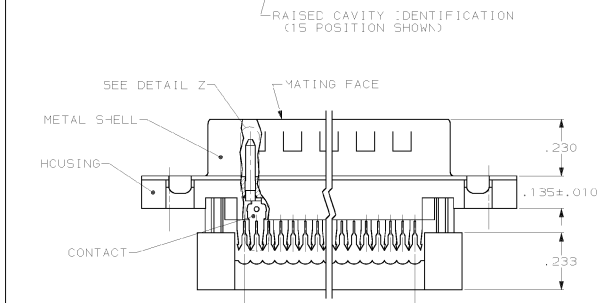
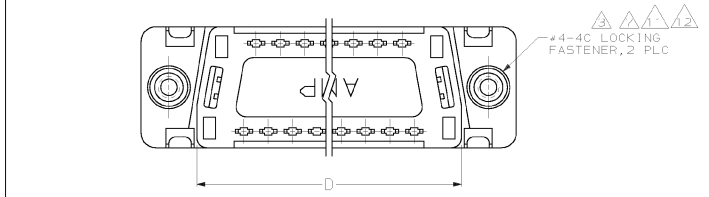


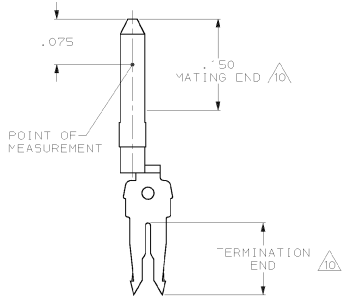
TERMINATED VIEW  
W/COVER ASSEMBLED



A SPACES AT .050 STAGGERED  
SPACING = B REF



- CONNECTORS COMPLY WITH AMP SPEC. 10B-40,017 AND MATE WITH ANY SAME NUMBER POSITION RECEPTACLE CONNECTOR IN AMPLIMITE SERIES.
  - CONNECTOR DESIGNED FOR 28 AND 26 AWG STRANDED AND SOLID CONDUCTOR RIBBON CABLE ON .050¢.
- ▲ FASTENERS WILL WITHSTAND 6 IN. LBS. TORQUE AND 50 LBS PULL CUT FORCE FROM MATING FACE SIDE.
  - ▲ MOLDED PARTS; UL RATED 94 V-0 THERMOPLASTIC, CO-OR-BLACK.
  - ▲ SHELL; STEEL PER 00-5-688.
  - ▲ CONTACTS; PHOSPHOR BRONZE PER 00-3-750.
  - ▲ FASTENERS; BRASS PER 00-B-626.
  - ▲ GOLD PLATING PER MIL-G-45204, BRIGHT TIN PLATING PER MIL-T-10727, NICKEL PLATING PER 00-N-290.
  - ▲ SHELL; BRIGHT TIN PLATE.
  - ▲ CONTACTS; .000030 GOLD ON MATING END, .000100-.000200 BRIGHT TIN LEAD ON TERMINATION END, ALL OVER .000050 NICKEL ON ENTIRE CONTACT.
  - ▲ LOCKING FASTENER IS COLOR CODED RED TO IDENTIFY SELF-LOCKING FEATURE.
  - ▲ LOCKING FEATURE PROVIDES A RESISTIVE TORQUE OF 10 TO 80 IN-OZ, USING A 4-40 GAUGE SCREW.



DETAIL  
SCALE = 10:1

1.216	.984	.759	.666	.400	8	9	746862-4	
OBsolete	1.541	.312	1.087	.994	.700	14	15	746862-3
OBsolete	2.090	.852	1.623	1.534	1.200	24	25	746862-2
OBsolete	2.732	2.500	2.275	2.183	1.800	36	37	746862-1

OPERATIONS		DATE	BY	CHKD	APP'D
DRAWN		01 OCT 82	J. EFFACHEY		
CHECKED		01 OCT 82	M. ZELEDO		
APPROVED		01 OCT 82			
MATERIAL		01 OCT 82			
FINISH					
WEIGHT					
CUSTOMER DRAWING					

**AMP** AMP Incorporated  
Morris Township, PA 17105-3608

PLUG ASSY, LOW PROFILE HOF,  
FRNC™ METAL SHELL, W/PREASSEMBLED  
COVER & LOCKING FASTENERS

STATE CASE CODE DRAWING NO  
A1 00779 C-746862

SCALE 4:1 SHEET 1 OF 1 REV H