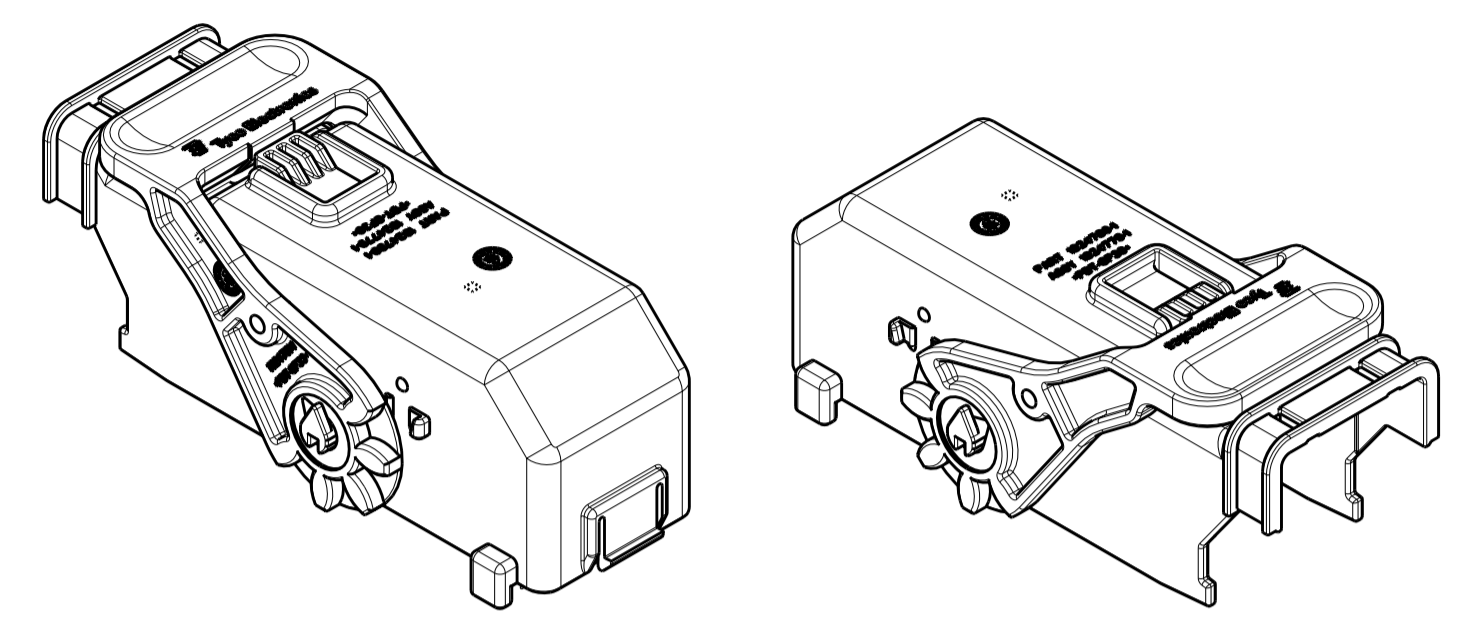
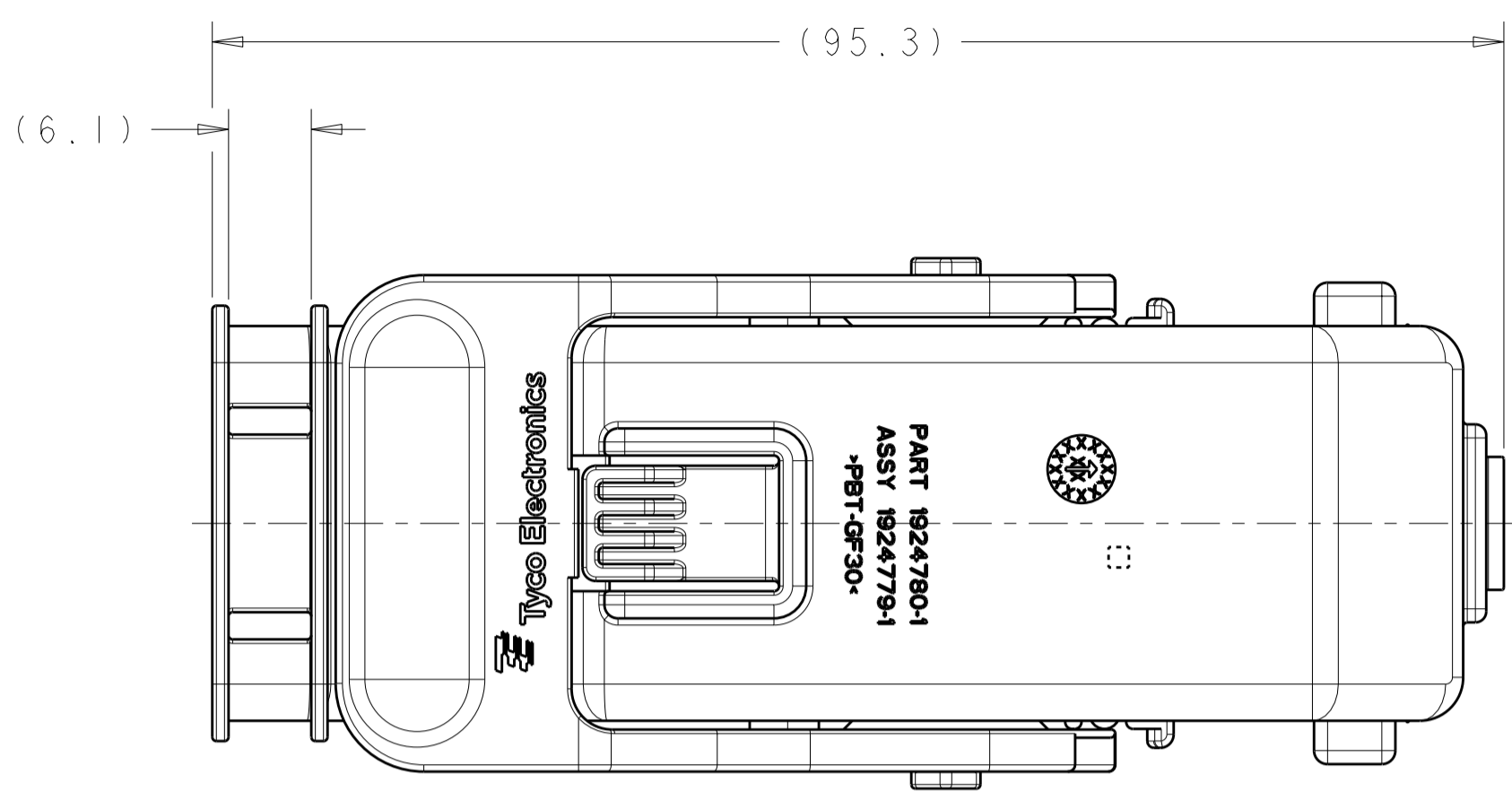
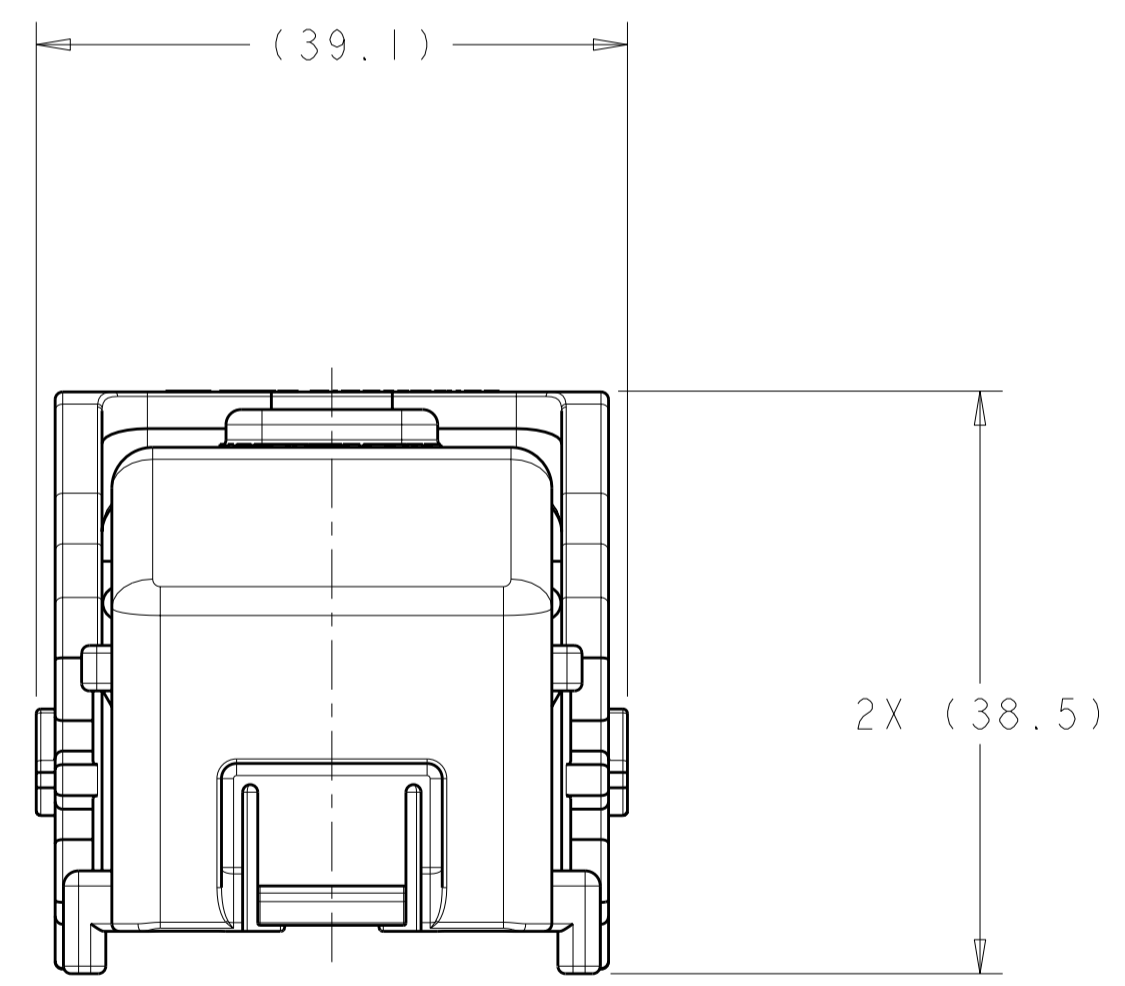
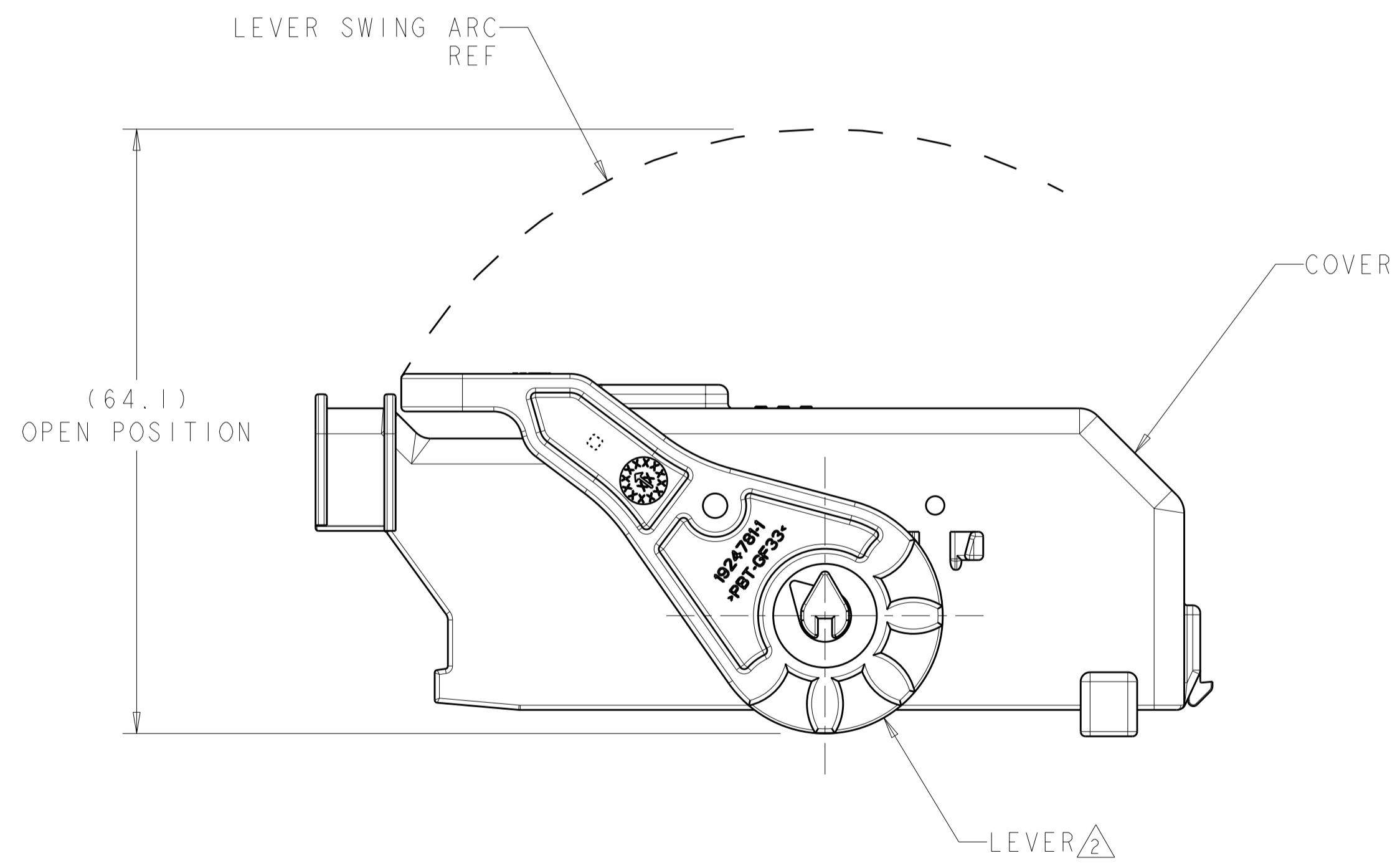


LOC	DIST	REVISIONS			
P	LTR	DESCRIPTION	DATE	DWN	APVD
A		REV PER ECO-09-003943	18FEB2009	MBH	AJV
B		REV PER ECO-09-007167	24MAR2009	AJV	AJV



ISOMETRIC VIEWS
SCALE 1:1



1924779-1
PART NUMBER

- 1 COVER: POLYESTER PBT, BLACK.
LEVER: POLYESTER PBT, RED.
- 2 LEVER SHOWN IN CLOSED POSITION,
WIRE DRESS ASSEMBLY TO BE SHIPPED IN THIS POSITION.
- 3. NOTE DELETED.

<small>THIS DRAWING IS A CONTROLLED DOCUMENT FOR TYCO ELECTRONICS CORPORATION. IT IS SUBJECT TO CHANGE AND THE CONTROLLING ENGINEERING ORGANIZATION SHOULD BE CONTACTED FOR THE LATEST REVISION.</small>		DWN D. J. HARDY 03DEC2007 CHK A. J. VASBINDER 03DEC2007 APVD A. J. VASBINDER 03DEC2007	Tyco Electronics Harrisburg, PA 17105-3608
DIMENSIONS: mm	TOLERANCES UNLESS OTHERWISE SPECIFIED: 0 PLC ± 1 PLC ± 2 PLC ± 3 PLC ± 4 PLC ± ANGLES ± FINISH	PRODUCT SPEC APPLICATION SPEC WEIGHT	NAME WIRE DRESS ASSEMBLY, 96 POSITION, GPEC 11
MATERIAL		CUSTOMER DRAWING	SIZE A2 CAGE CODE 00779 DRAWING NO. C-1924779 RESTRICTED TO
		SCALE 2:1	SHEET 1 OF 1 REV B