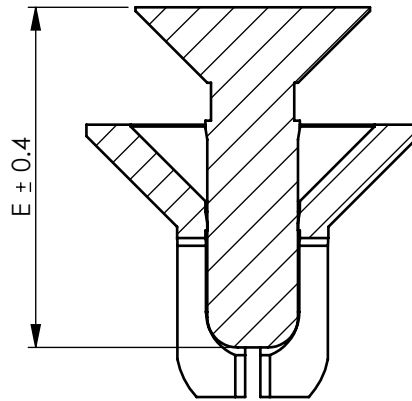
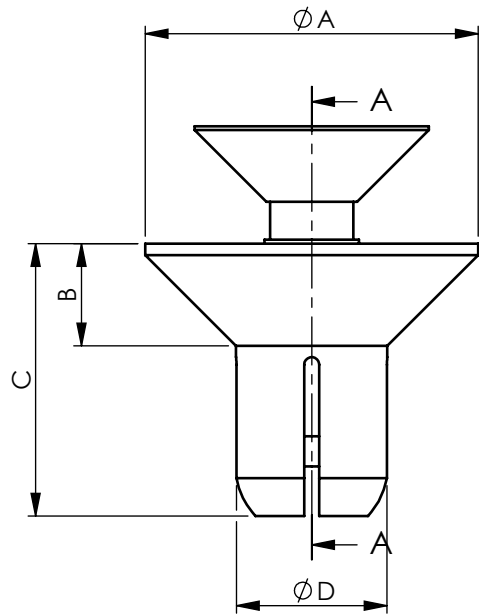
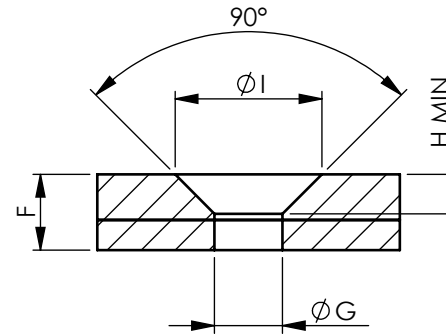


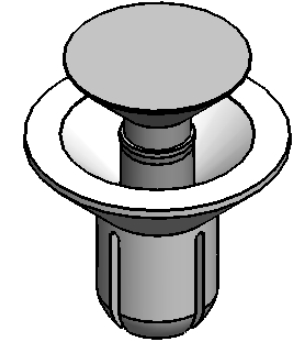
REV.	MODIFICATION.	DATE	DRN
01	Production Release	08/01/09	MT



SECTION A-A
SCALE 5 : 1



NOTE: ACCOMMODATES COUNTERSUNK HOLE SPECIFICATION DIN ISO 7721



MATL: NYLON 6, RMS-52 COLOUR: BLACK OR WHITE	"A"	"B"	"C"	"D"	"E"	TOTAL HOLDING THICKNESS "F"	HOLE DIA. "G"	"H"	"I"
SRCS-4060			6 [.24]		7.1 [.28]	3.5-4.5 [.14 -.18]			
SRCS-4070			7.2 [.28]		9 [.35]	4.5-5.5 [.18 -.22]			
SRCS-4080	8.8 [.35]	2.7 [.11]	8 [.32]	4 [.16]	9 [.35]	5.5-6.5 [.22 -.26]	4.1-4.2 [.16-.17]	2.6 [.10]	9.4 [.37]
SRCS-4090			9 [.35]		11 [.43]	6.5-7.5 [.26 -.30]			
SRCS-4100			10 [.39]		11 [.43]	7.5-8.5 [.30 -.34]			
SRCS-5065	9.8 [.39]	2.7 [.11]	6.5 [.26]	5 [.20]	8.5 [.34]	3.5-4.5 [.14 -.18]	5.1-5.2 [.20-.21]	2.6 [.10]	10.4 [0.41]

ADD "B" FOR BLACK OR "W" FOR WHITE TO THE END OF THE PART NUMBER

ALTERNATE UNITS FOR REFERENCE ONLY

INFORMATION CONTAINED IN THIS DOCUMENT IS CONFIDENTIAL TO RICHCO INTERNATIONAL Co. Ltd. AND MAY NOT BE DISCLOSED OR REPRODUCED IN WHOLE OR PART WITHOUT THEIR WRITTEN CONSENT.



ALL DIMENSIONS IN mm
GENERAL TOLERANCES ± 0.25
UNLESS OTHERWISE STATED
1 DECIMAL PLACE \pm
2 DECIMAL PLACES \pm
ANGULAR $\pm 1^\circ$



MATERIAL: NYLON 6 UL94 V-2 (RMS-52)				COLOUR: SEE TABLE	
DESCRIPTION: COUNTERSUNK SNAP RIVET				PART No: SEE TABLE	
DRG No: 08-034		NPR No: GB08-0019		SHEET SIZE A4	
DRN MT	DATE 01/04/08	CHKD TC	DATE 08/01/09	SCALE NTS	SHEET No. 1 OF 1