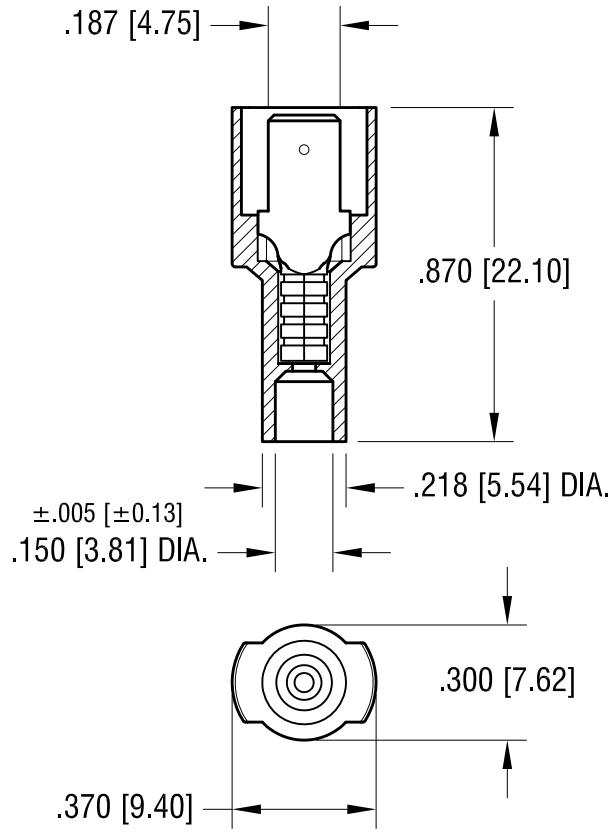
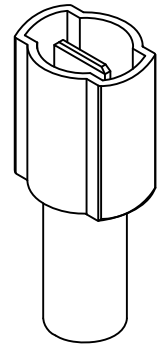


THIS DOCUMENT IS THE PROPERTY OF
KEYSTONE ELECTRONICS CORP. AND
SHALL NOT BE REPRODUCED, DISTRIBUTED
OR USED AS A BASIS FOR MANUFACTURE
WITHOUT PRIOR WRITTEN PERMISSION
FROM KEYSTONE ELECTRONICS CORP.



NOTE:

1. TERMINAL: MALE TAB
.187 [4.75] x .020 [0.51] TH'K COPPER, TIN PLATE
INSULATOR: NYLON 6/6, BLUE
2. ACCOMMODATES WIRE RANGE 16/14 AWG

| | | | |
|---|---------------|--------------|---------|
| KEYSTONE ELECTRONICS CORP. | | | |
| www.keyelco.com • ASTORIA, N.Y. 11105-2017 • Tel (718) 956-8900 | | | |
| PART NAME | | | |
| FULLY INSULATED QUICK-FIT TERMINAL, MALE | | | |
| MATERIAL | | | |
| AS NOTED | | | |
| FINISH | | DRN BY | DATE |
| AS NOTED | | NT | 5.04.09 |
| | | APP'D | SCALE |
| | | LN | 2X |
| TOLERANCES | INCH | [MM] | CODE |
| DECIMAL | $\pm .010$ | $[\pm 0.25]$ | C |
| ANGULAR | $\pm 1^\circ$ | | |
| UNLESS OTHERWISE SPECIFIED | | | |
| DWG NO. | | 8298 | |

| | | |
|------|-------------|------|
| DATE | DESCRIPTION | REV. |
| | | |