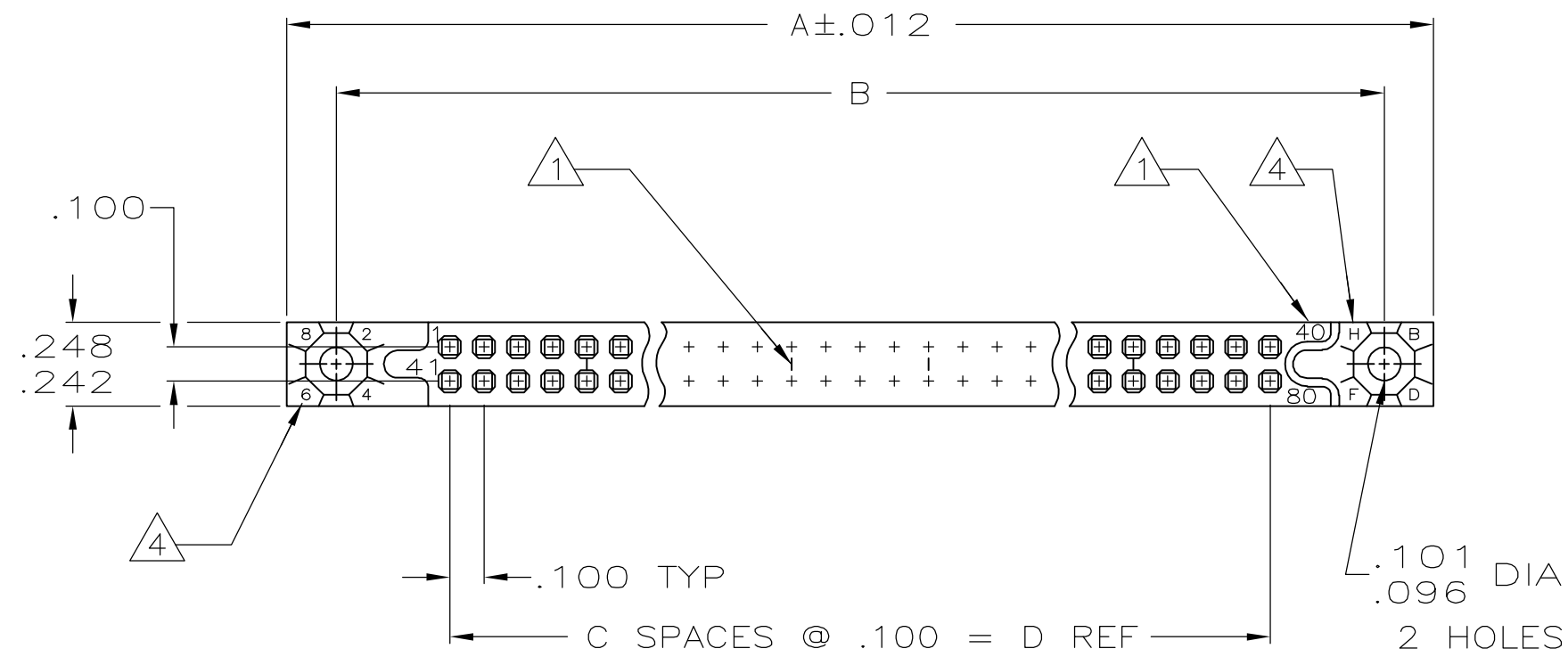
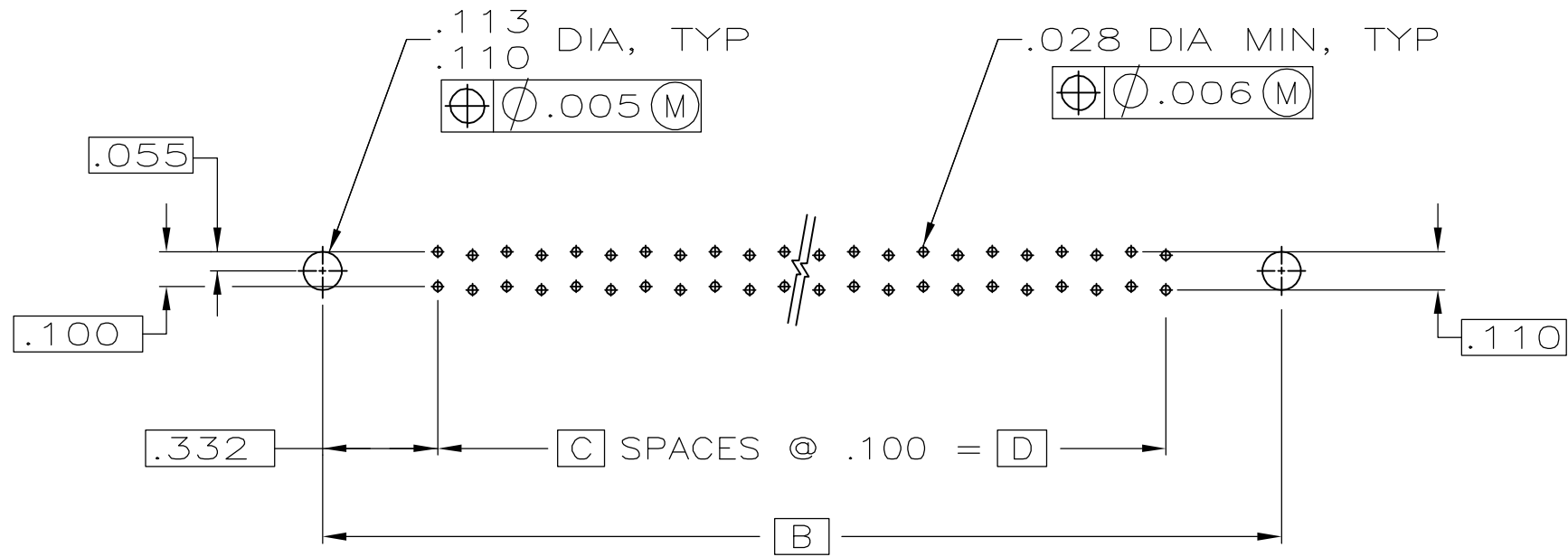
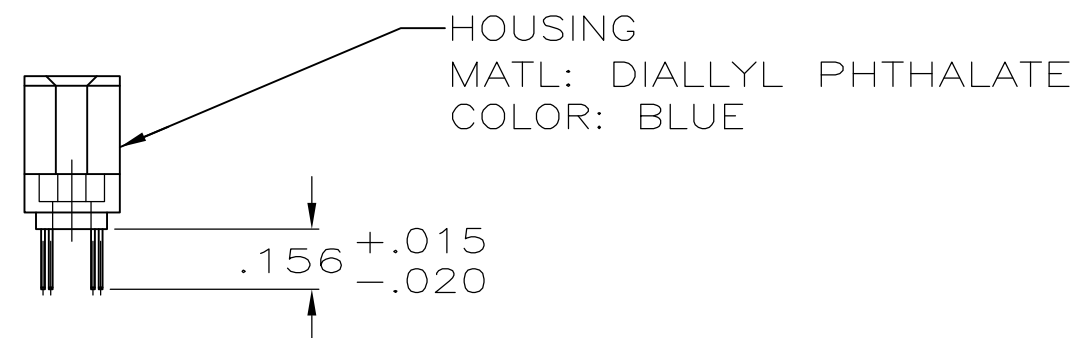
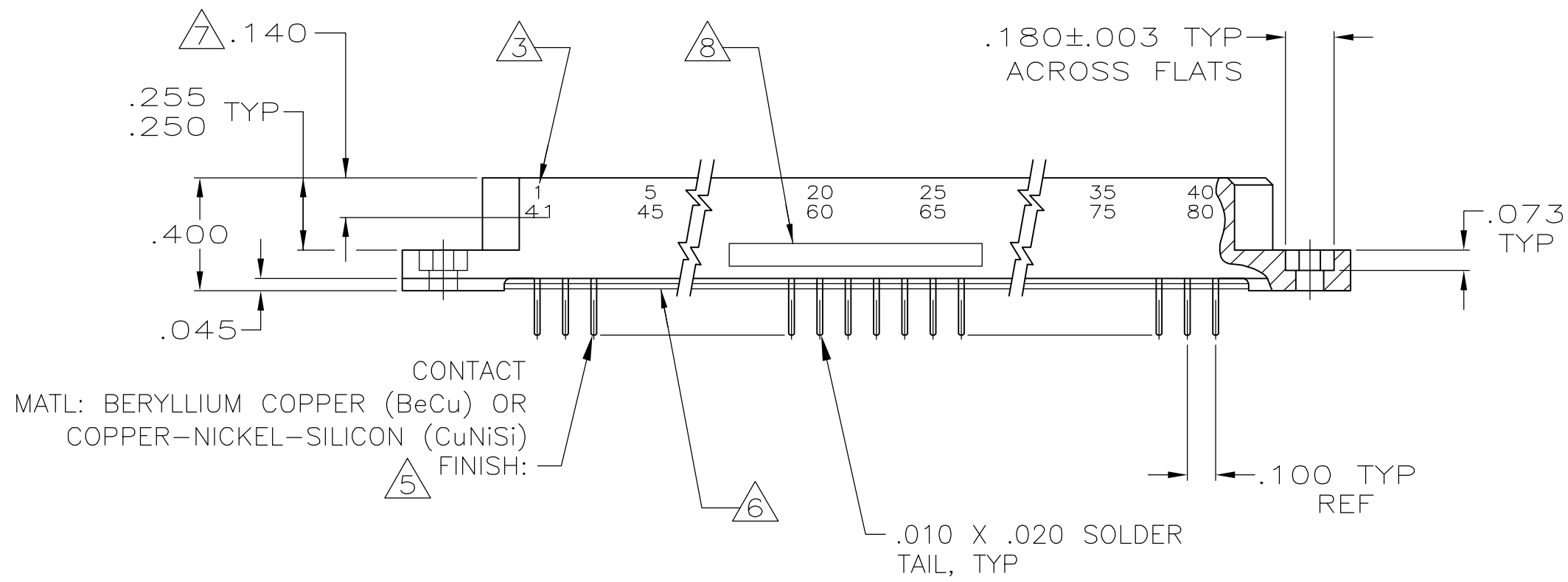


THIS DRAWING IS UNPUBLISHED. RELEASED FOR PUBLICATION
 © COPYRIGHT BY TYCO ELECTRONICS CORPORATION. ALL RIGHTS RESERVED.

| LOC | DIST | REVISIONS | | | | | |
|-----|------|-----------|-----|-----------------------|---------|-----|------|
| DF | F0 | P | LTR | DESCRIPTION | DATE | DWN | APVD |
| | | B | | REV PER ECO 05-013558 | 12DEC05 | VF | CT |



- ① CAVITY IDENT NUMBERS (PER TABLE) AND LINES INDICATING EVERY FIVE CAVITIES MARKED ON MATING FACE.
- ② CONNECTOR MEETS ALL APPLICABLE REQUIREMENTS OF MIL-C-55302.
- ③ NUMBERS INDICATING EVERY FIVE CAVITIES MARKED ON SIDE.
- ④ KEY POSITION IDENTIFICATIONS MOLDED ON SURFACES SHOWN.
- ⑤ FINISH: PLATED GOLD .000050 THK IN CONTACT AREA WITH A POINT OF PLATING THICKNESS MEASUREMENT .135 FROM MATING END OF CONTACT; TAILS PLATED TIN-LEAD .000100 THK; ALL OVER NICKEL .000030 THK.
- ⑥ EPOXY SEALANT ADDED TO BOTTOM OF HOUSING.
- ⑦ MAX DEPTH OF CONTACT POINT.
- ⑧ AMP, AMP PART NUMBER, AND DATE CODE MARKED.



RECOMMENDED P.C. BOARD LAYOUT
(CONNECTOR SIDE)

| | | | | | | | |
|----------------|----------|-------|----|-------|-------|------------|-------------|
| 1 41 | 40 80 | 3.900 | 39 | 4.565 | 4.855 | 80 | 445596-1 |
| CAVITY IDENT ① | | D | C | B | A | NO OF POSN | PART NUMBER |
| DIMENSIONS | | | | | | | |

| | | | | |
|--|--|------------------------------------|---|--|
| THIS DRAWING IS A CONTROLLED DOCUMENT. | | DWN C.C.THOMAS 10-26-88 | Tyco Electronics Corporation Harrisburg, PA 17105-3608 | |
| DIMENSIONS: INCHES | | CHK JAMES P. SCHOLTZ 11-1-88 | NAME RECEPTACLE ASSEMBLY, 1000 SERIES BOX. .010 X .020 POSTED CONTACTS, .156 TAIL LENGTH | |
| TOLERANCES UNLESS OTHERWISE SPECIFIED: | | APVD G. GRIFFITH 11-1-88 | PRODUCT SPEC | |
| 0 PLC ± - | | APPLICATION SPEC | | |
| 1 PLC ± - | | WEIGHT - | | |
| 2 PLC ± - | | SIZE A2 | | |
| 3 PLC ± .005 | | CAGE CODE 00779 | | |
| 4 PLC ± - | | DRAWING NO C=445596 | | |
| ANGLES ± - | | RESTRICTED TO | | |
| FINISH | | SCALE 2:1 | | |
| SEE CALLOUTS | | SHEET 1 of 1 | | |
| CUSTOMER DRAWING | | REV B | | |