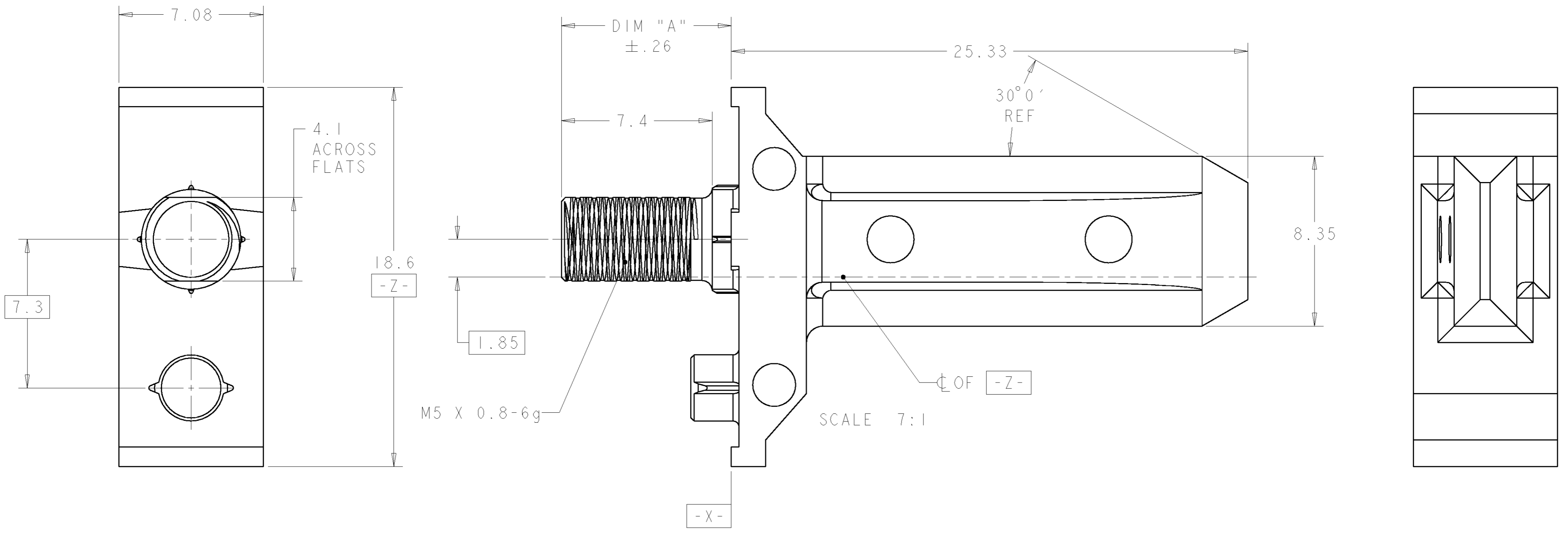


THIS DRAWING IS UNPUBLISHED. RELEASED FOR PUBLICATION 20  
 © COPYRIGHT 20 BY TYCO ELECTRONICS CORPORATION. ALL RIGHTS RESERVED.

LOC	DIST	REVISIONS					
CG	00	P	LTR	DESCRIPTION	DATE	DWN	APVD
		B		REV PER ECO-06-025222	27OCT2006	BC	GG
		BI		REV PER ECO-07-018424	04SEP2007	BC	GG



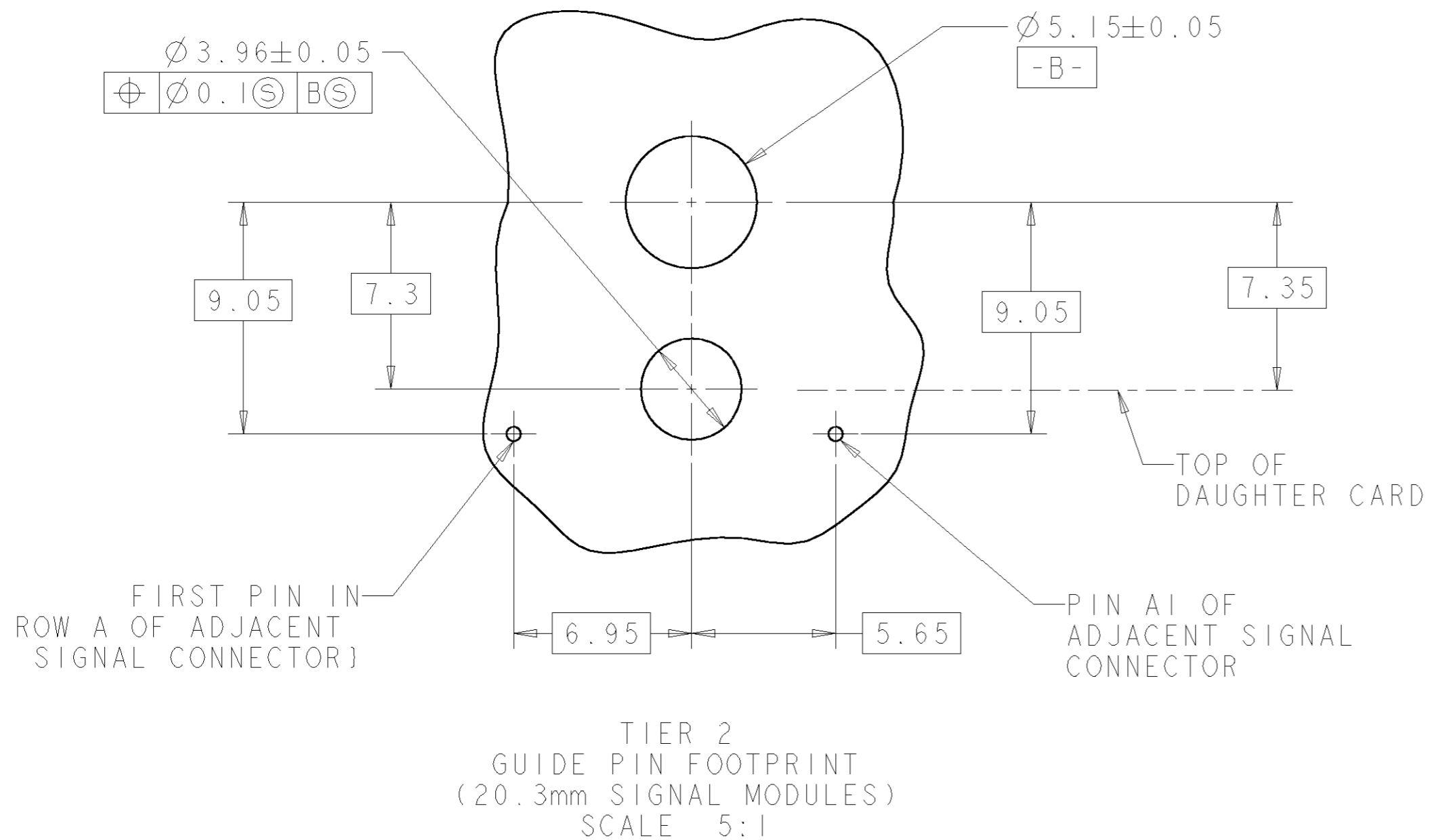
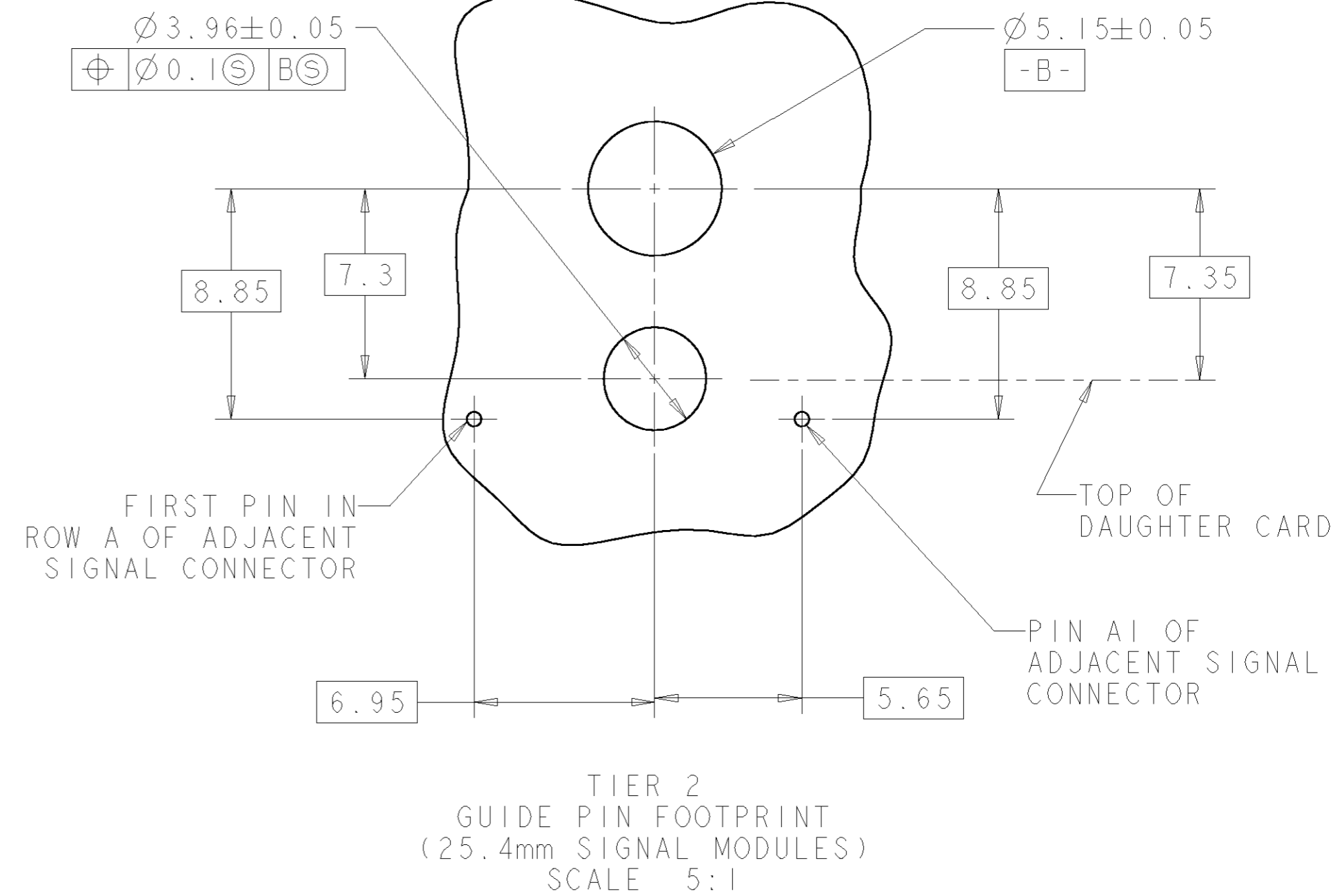
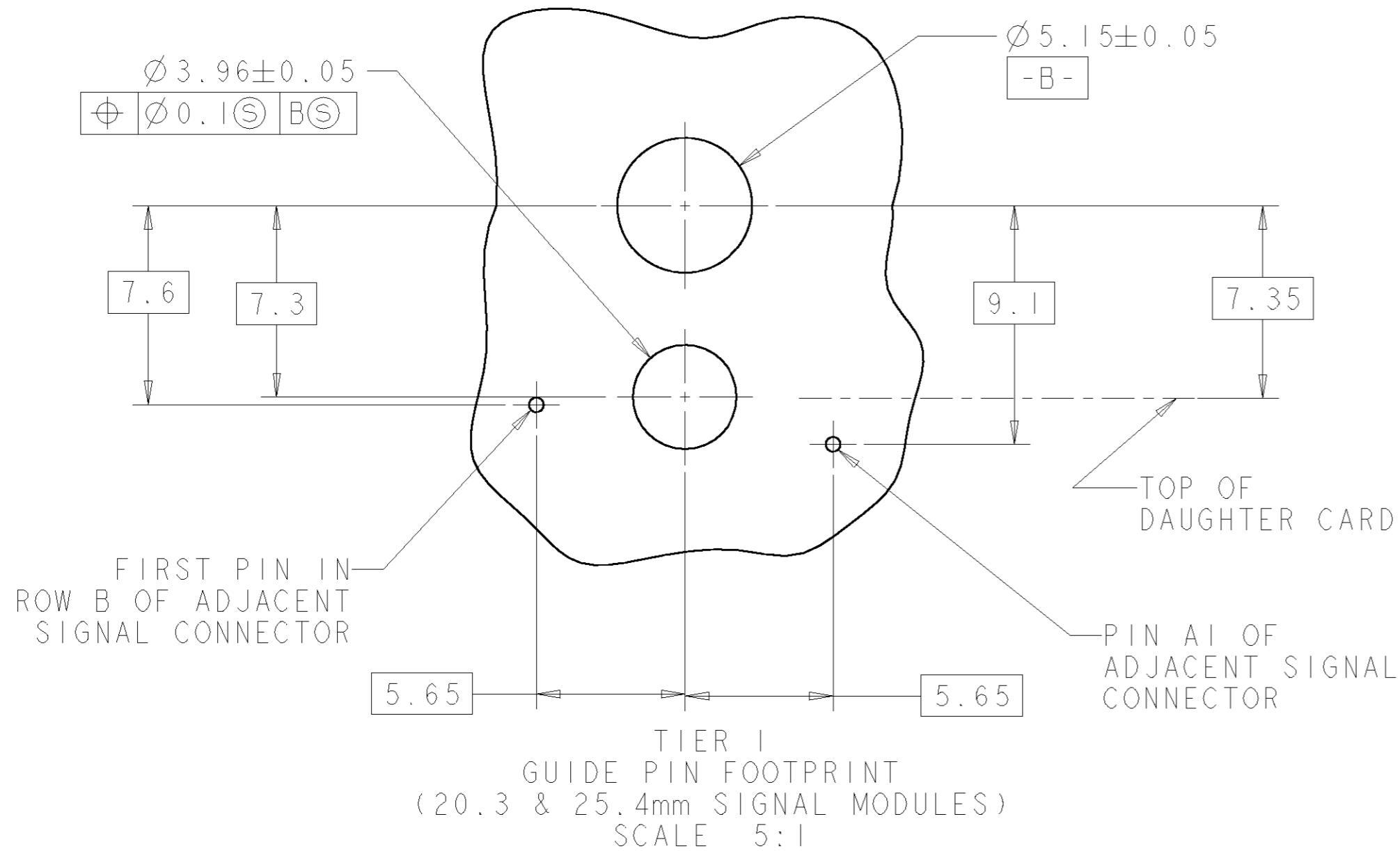
	13.10	△3	1-1410710-4
	11.60	△3	1-1410710-3
	10.00	△3	1-1410710-2
	8.72	△3	1-1410710-1
△4	13.10	△2	1410710-4
△4	11.60	△2	1410710-3
△4	10.00	△2	1410710-2
△4	8.72	△2	1410710-1
	DIM "A"	FINISH	PART NUMBER

- △1 MATERIAL: ZINC ALLOY
- △2 FINISH: HEXAVALENT CHROMATE.
- △3 FINISH: TRIVALENT CHROMIUM.
- △4 OBSOLETE PART NUMBER.

THIS DRAWING IS A CONTROLLED DOCUMENT FOR TYCO ELECTRONICS CORPORATION. IT IS SUBJECT TO CHANGE AND THE CONTROLLING ENGINEERING ORGANIZATION SHOULD BE CONTACTED FOR THE LATEST REVISION.		DWN E. MORANA 08JUL002	Tyco Electronics Harrisburg, PA 17105-3608	
DIMENSIONS: mm		CHK G. GRIFFITH 04SEP2007	NAME 7.2mm GUIDE MODULE BACKPLANE CONNECTOR, MultiGig	
TOLERANCES UNLESS OTHERWISE SPECIFIED: 0 PLC ± 1 PLC ±.01 2 PLC ±.03 3 PLC ±.013 4 PLC ±0.0001 ANGLES ±0.30°		APVD G. GRIFFITH 04SEP2007	PRODUCT SPEC -	
MATERIAL -		APPLICATION SPEC -	SIZE A2	CAGE CODE 00779
		WEIGHT -	DRAWING NO 1410710	RESTRICTED TO -
		CUSTOMER DRAWING	SCALE 5:1	SHEET 1 OF 2

THIS DRAWING IS UNPUBLISHED. RELEASED FOR PUBLICATION 20  
 © COPYRIGHT 20 BY TYCO ELECTRONICS CORPORATION. ALL RIGHTS RESERVED.

LOC	DIST	REVISIONS					
CG	00	P	LTR	DESCRIPTION	DATE	DWN	APVD
		-		SEE SHEET 1			



THIS DRAWING IS A CONTROLLED DOCUMENT FOR TYCO ELECTRONICS CORPORATION. IT IS SUBJECT TO CHANGE AND THE CONTROLLING ENGINEERING ORGANIZATION SHOULD BE CONTACTED FOR THE LATEST REVISION.		DWN F. MORANA 08JUL002	Tyco Electronics Harrisburg, PA 17105-3608	
DIMENSIONS: mm		CHK G. GRIFFITH 04SEP2007	NAME 7.2mm GUIDE MODULE BACKPLANE CONNECTOR, MultiGig	
TOLERANCES UNLESS OTHERWISE SPECIFIED: 0 PLC $\pm$ .1 1 PLC $\pm$ 0.1 2 PLC $\pm$ .13 3 PLC $\pm$ .013 4 PLC $\pm$ 0.0001 ANGLES $\pm$ 0.30°		APVD G. GRIFFITH 04SEP2007	PRODUCT SPEC -	
MATERIAL -		FINISH -	APPLICATION SPEC -	RESTRICTED TO -
CUSTOMER DRAWING		WEIGHT -	SIZE A2	CAGE CODE 00779
		DRAWING NO. 1410710	SCALE 5:1 SHEET 2 OF 2 REV B1	