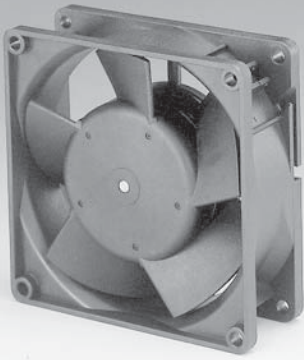


3300 Series

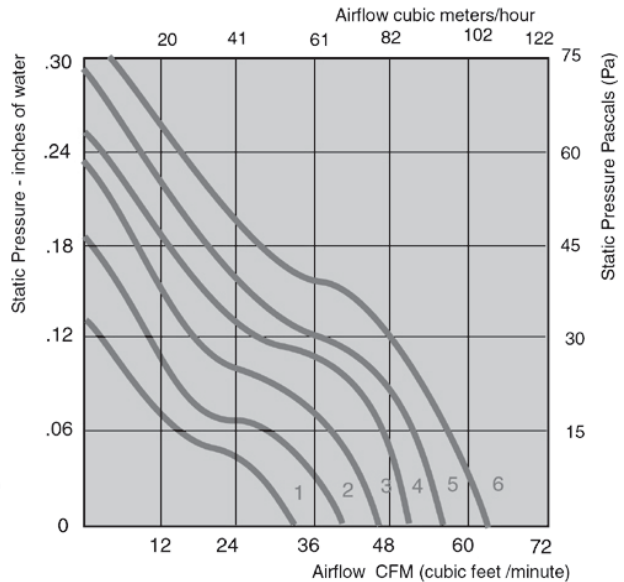
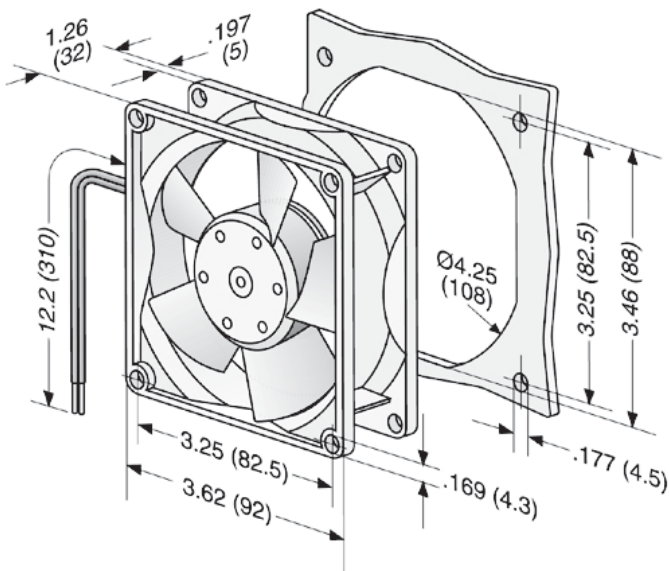
Tubeaxial

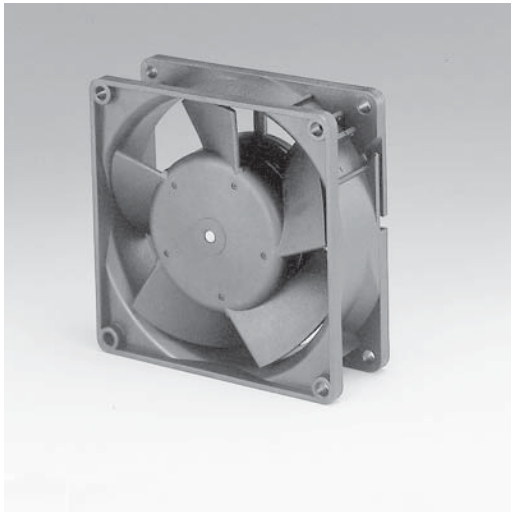
92x92x32mm



- DC fans with electronically commutated external rotor motor. Fully integrated commutation electronics.
- With electronic protection against reverse polarity, blocking and overloading by PTC-resistor; partially impedance protected.
- Mounting from either face using four 4.3 mm holes.
- Fan of fiberglass reinforced plastic. PBTP housing, PA impeller.
- Air exhaust over struts. Rotational direction CCW looking at rotor.
- Electrical connection via 2 leads AWG 22, TR 64. Stripped and tinned ends.
- UL, CSA, VDE approvals on some models, please contact application engineering.

| Part Number | Curve | CFM @ 0 | VDC | Volt. Range | Power (W) | dBA | Max Amb. Temp C | Bearing Type | Features | Wgt. (lbs) |
|-------------|-------|---------|-----|-------------|-----------|-----|-----------------|--------------|-----------|------------|
| 3312GL | 1 | 33 | 12 | 6 to 15 | 1.4 | 29 | 75 | Sintec | Leads | 0.44 |
| 3312L | 1 | 33 | 12 | 6 to 15 | 1.4 | 29 | 75 | Ball | Leads | 0.44 |
| 3312M | 2 | 40 | 12 | 6 to 15 | 1.7 | 34 | 75 | Ball | Leads | 0.44 |
| 3312GM | 2 | 40 | 12 | 6 to 15 | 1.7 | 34 | 75 | Sintec | Leads | 0.44 |
| 3392M | 2 | 40 | 12 | 6 to 15 | 1.7 | 34 | 75 | Ball | Terminals | 0.44 |
| 3392 | 3 | 47 | 12 | 6 to 15 | 2.4 | 37 | 75 | Ball | Terminals | 0.44 |
| 3372 | 3 | 47 | 12 | 6 to 15 | 2.4 | 37 | 75 | Ball | Terminals | 0.44 |
| 3312G | 3 | 47 | 12 | 6 to 15 | 2.4 | 37 | 75 | Sintec | Leads | 0.44 |
| 3312 | 3 | 47 | 12 | 6 to 15 | 2.4 | 37 | 75 | Ball | Leads | 0.44 |
| 3312S | 3 | 47 | 12 | 6 to 15 | 2.4 | 37 | 75 | Ball | Leads | 0.44 |
| 3312-177 | 5 | 55 | 12 | 6 to 15 | 3.5 | 43 | 75 | Ball | Terminals | 0.44 |
| <hr/> | | | | | | | | | | |
| 3314L | 1 | 33 | 24 | 12 to 28 | 1.4 | 29 | 75 | Ball | Leads | 0.44 |
| 3314M | 3 | 40 | 24 | 12 to 28 | 1.7 | 34 | 75 | Ball | Leads | 0.44 |
| 3314 | 3 | 47 | 24 | 12 to 28 | 2.4 | 37 | 75 | Ball | Leads | 0.44 |
| 3314G | 3 | 47 | 24 | 12 to 28 | 2.4 | 37 | 75 | Sintec | Leads | 0.44 |



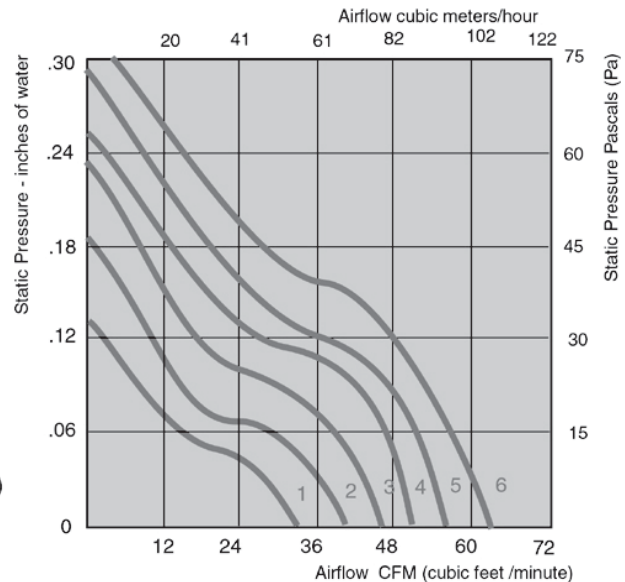
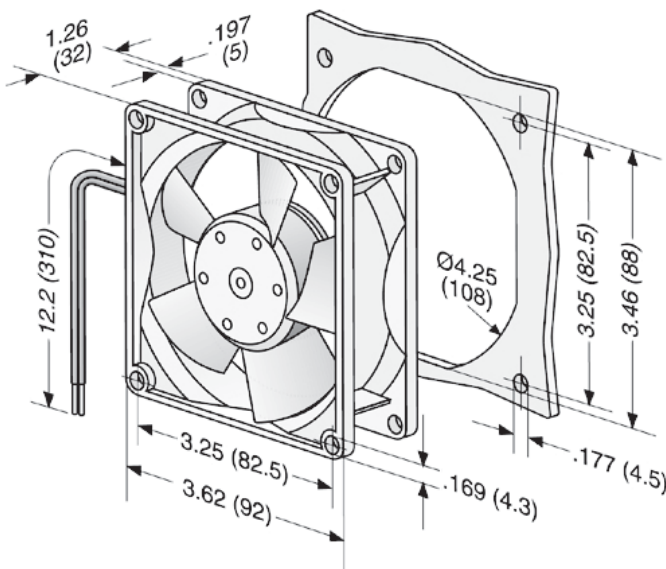


3300 Series cont. Tubeaxial

92x92x32mm

- DC fans with electronically commutated external rotor motor. Fully integrated commutation electronics.
- With electronic protection against reverse polarity, blocking and overloading by PTC-resistor; partially impedance protected.
- Mounting from either face using four 4.3 mm holes.
- Fan of fiberglass reinforced plastic. PBTP housing, PA impeller.
- Air exhaust over struts. Rotational direction CCW looking at rotor.
- Electrical connection via 2 leads AWG 22, TR 64. Stripped and tinned ends.
- UL, CSA, VDE approvals on some models, please contact application engineering.

| Part Number | Curve | CFM @ 0 | VDC | Volt. Range | Power (W) | dBA | Max Amb. Temp C | Bearing Type | Features | Wgt. (lbs) |
|-------------|-------|---------|-----|-------------|-----------|-----|-----------------|--------------|-----------|------------|
| 3314S | 3 | 47 | 24 | 12 to 28 | 2.4 | 37 | 75 | Ball | Leads | 0.44 |
| 3374 | 3 | 47 | 24 | 12 to 28 | 2.4 | 37 | 75 | Ball | Terminals | 0.44 |
| 3394 | 3 | 47 | 24 | 12 to 28 | 2.4 | 37 | 75 | Ball | Terminals | 0.44 |
| 3314-140 | 4 | 50 | 24 | 12 to 28 | 3.0 | 40 | 75 | Ball | Leads | 0.44 |
| 3318 | 3 | 47 | 48 | 36 to 56 | 2.7 | 37 | 75 | Ball | Leads | 0.44 |



ebmpapst

e-mail: sales@us.ebmpapst.com · TEL: 860-674-1515 · FAX: 860-674-8536

ebm-papst Inc., 100 Hyde Road, Farmington, CT 06034 USA

ebm-papst Inc., 2004 © ebm-papst Inc. reserves the right to change any specifications or data without notice