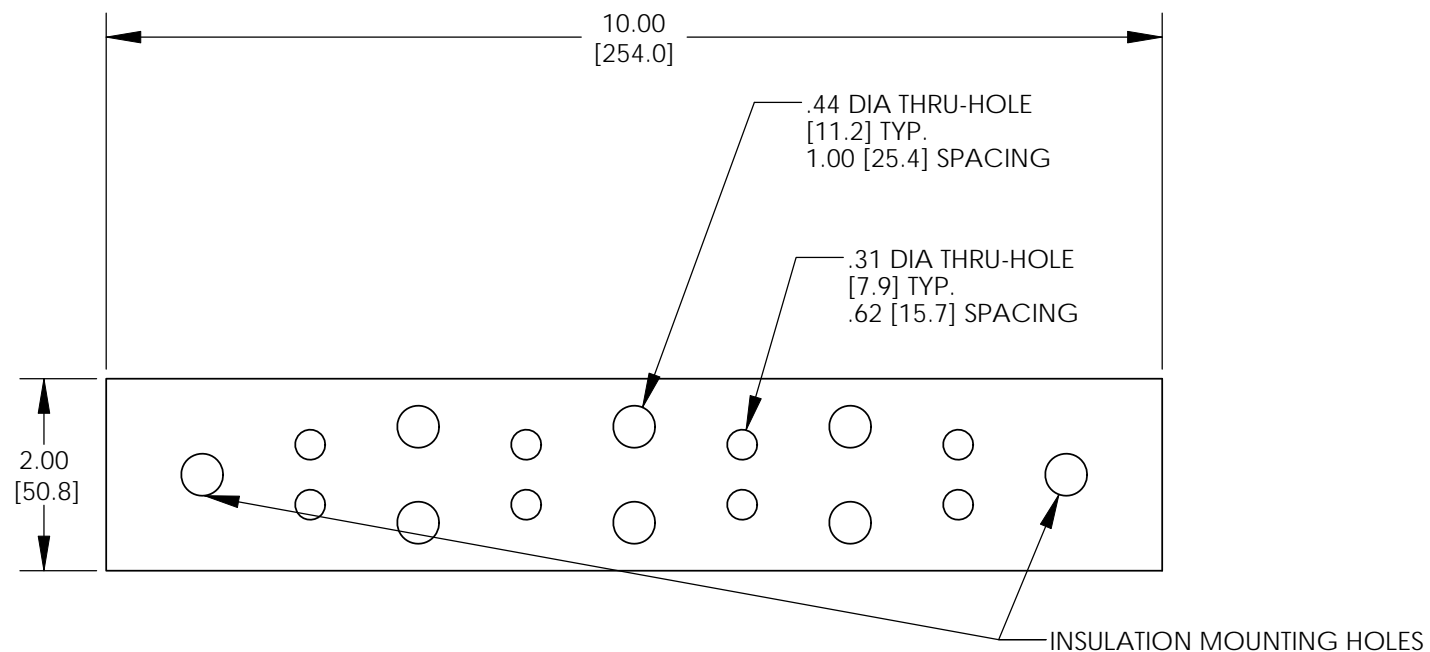
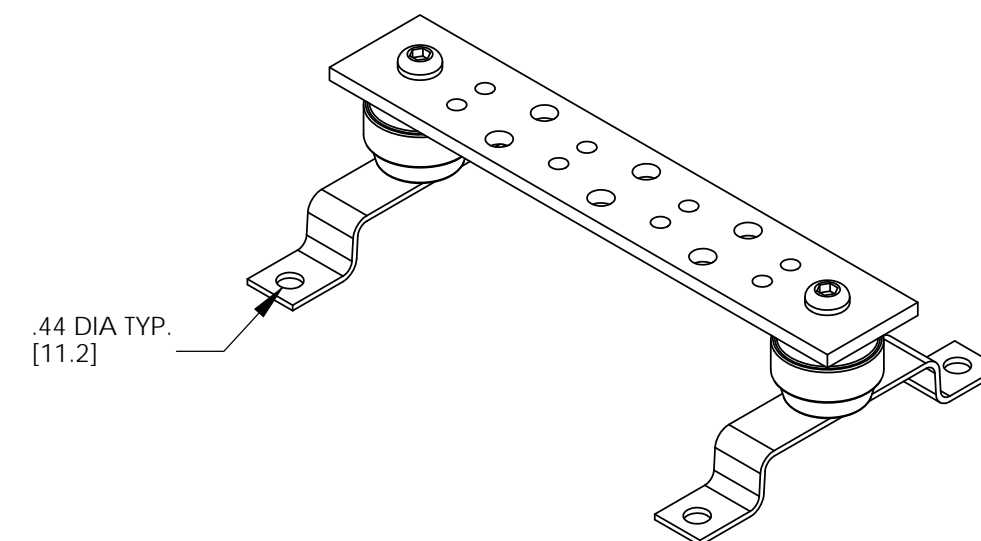
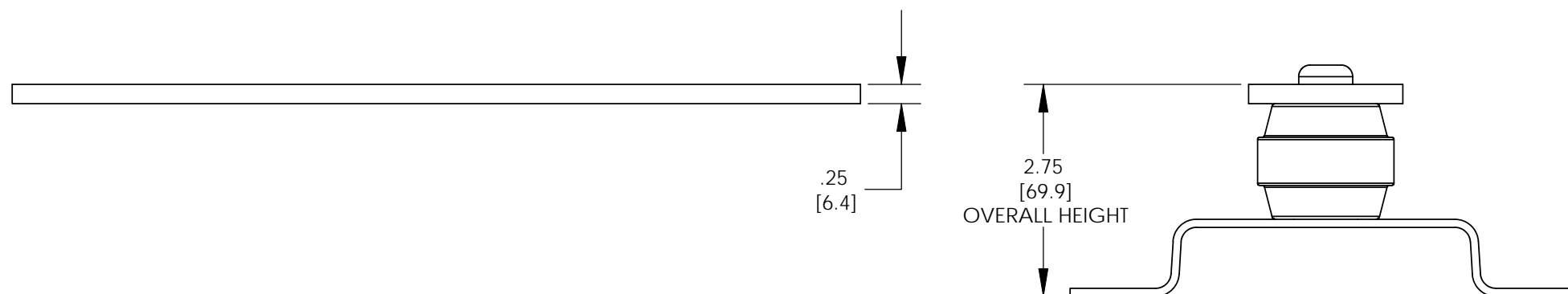


THIS COPY IS PROVIDED ON A RESTRICTED BASIS AND IS NOT TO BE USED IN ANY WAY DETRIMENTAL TO THE INTERESTS OF PANDUIT CORP.



NOTES:

1. KIT COMES FULLY ASSEMBLED
2. KIT INCLUDES BUSBAR, MOUNTING BRACKETS, INSULATORS, AND MOUNTING HARDWARE.
3. MEETS BICSI/J-STD-607-A
4. DIMENSIONS IN PARENTHESIS ARE MILLIMETERS.



ASSEMBLED AS SHOWN

04	12/10	JHNU	JHNU	REVISED AGENCY LOGO	N41504BA-C41504	FLD	FLD	PANDUIT CORP. TINLEY PARK, ILLINOIS GROUNDING BUSBAR (GB2B0304TPI) CUSTOMER DRAWING
03	11/08	JHNU	JHNU	REVISED DRAWING LAYOUT, REMOVED BRACKET VIEWS				
---	-----	----	----	CONVERTED DRAWING TO SOLIDWORKS REVISED BUSBAR BRACKET GEOMETRY				
02	11/08	JHNU	DWDA	REVISED DRAWING TO CURRENT STANDARD				
---	-----	----	----	REVISED HEIGHT DIMENSION: 1.00 WAS 1.50 ADDED NOTE 3 ADDED OVERALL HEIGHT DIMENSION TO ISO VIEW				UNLESS OTHERWISE SPECIFIED DIMENSIONAL TOLERANCES ARE: (.X) ± (.XXX) ± (.XX) ± ANGLES ±
01	9/06	JHNU	LEM					UNLESS OTHERWISE SPECIFIED, ALL DIMENSIONS ARE GIVEN IN INCHES, THIRD ANGLE PROJECTION
00	2/05	JHNU	LEM	DRAWING RELEASED				SCALE NONE DRAWING NO / CAD FILE DWG C41504_04 B SIZE
REV	DATE	BY	CHK	DESCRIPTION	ECN	-R	SUP	DRAWN BY JHNU DATE 2/05 CHK'D