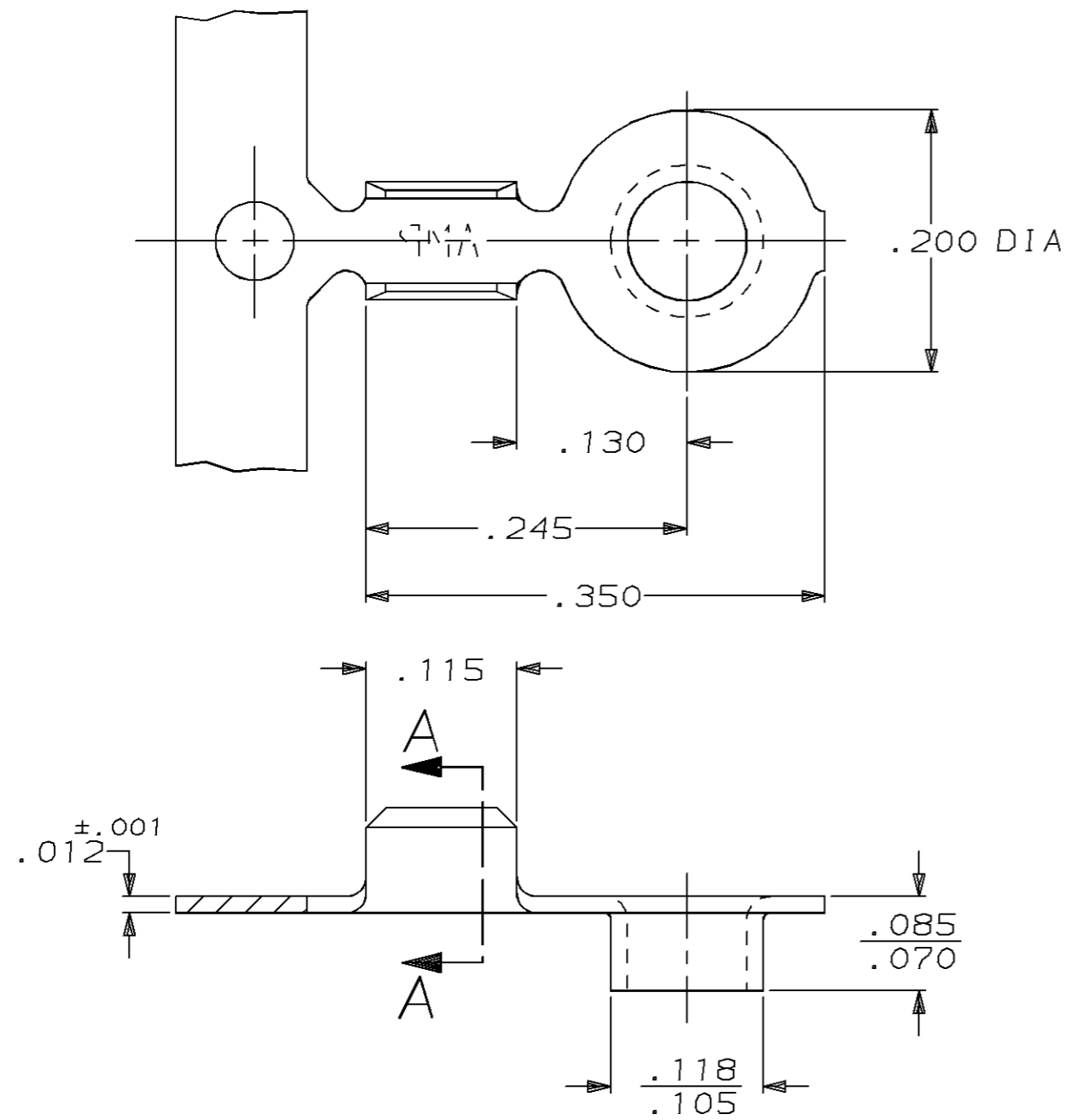
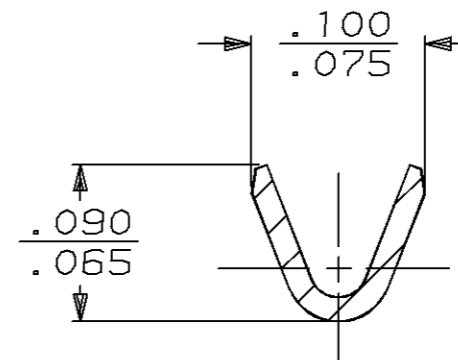


THIS DRAWING IS UNPUBLISHED. RELEASED FOR PUBLICATION, 19  
 © COPYRIGHT 19 BY AMP INCORPORATED. ALL INTERNATIONAL RIGHTS RESERVED.

LOC	DIST	P	F	ZONE	LTR	REVISIONS	DATE	APPD
AF	50				H	REVISED PER 0710-0221-96	22/MAY/96	PF/GY



1 CONTINUOUS STRIP ON REELS



SECTION A-A  
SCALE 10:1

		24-20 AWG		61463-1	
		WIRE RANGE		PART NO	
		<b>AMP</b>		AMP Incorporated Harrisburg, PA 17105-3608	
		NAME <b>RING, EXTRUDED</b>			
SIZE	CAGE CODE	DRAWING NO			
<b>B</b>	00779	61463			
SCALE	8:1	SHEET		1 OF 1	

.180	F	.062	.038	20	DO NOT SCALE PRINT. UNLESS SPECIFIED DIMENSIONS IN INCHES TOLERANCES ON: 2 PLC DEC ± - 3 PLC DEC ± .015 ANGLES ± -	DR 3/29/90 P FORTNEY
			.035	22		CHK 3/29/90 JR RUTH
			.035	24		APPD 3/29/90 G YETTER
STRIP LENGTH ±.015		TYPE	WIDTH	±.002 HEIGHT	WIRE	APPD 3/29/90 R KUZO
		WIRE BARREL CRIMP		ANNEALED BRASS		PRODUCT SPEC -
				FINISH		APPLICATION SPEC -
						WEIGHT -