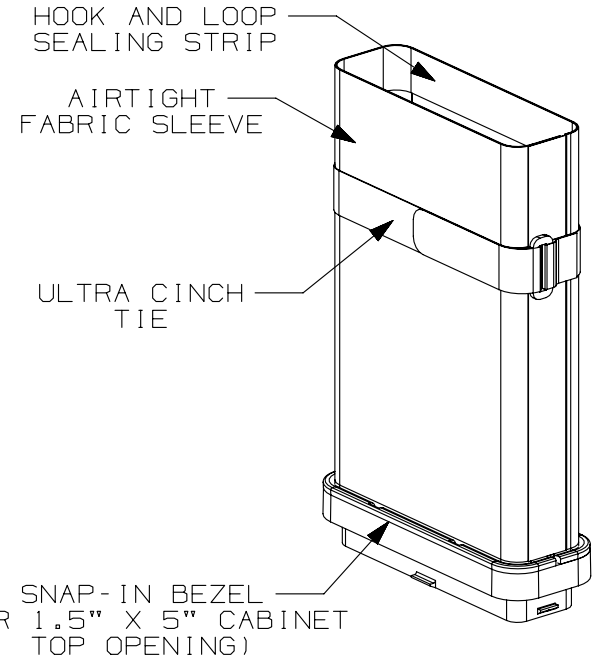
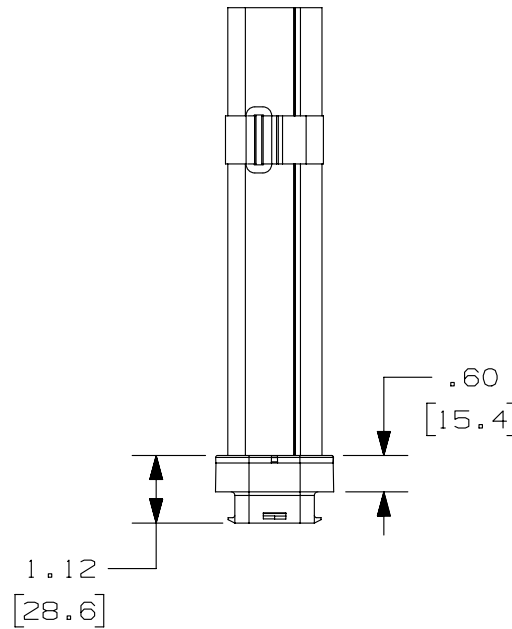
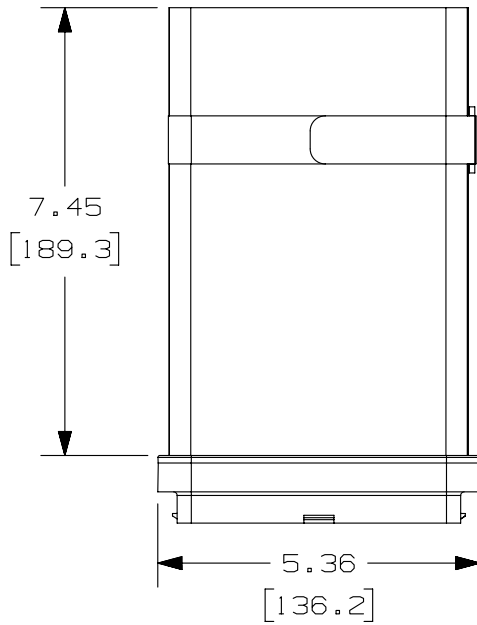
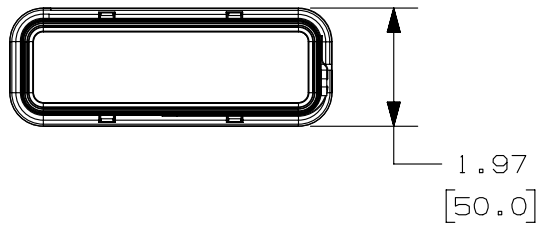


THIS COPY IS PROVIDED ON A RESTRICTED BASIS AND IS NOT TO BE USED IN ANY WAY DETRIMENTAL TO THE INTERESTS OF PANDUIT CORP.

PANDUIT PART NUMBER	WEIGHT
CTGN1X5	.08 LBS/EACH 34.3 GRAMS/EACH

NOTES:

1. FOR USE WITH NET-ACCESS CABINETS
2. USED TO SEAL OFF 1.5" X 5" CABINET TOP OPENINGS WHEN CABLES ARE ROUTED THROUGH THE TOP OF THE CABINET.
3. REQUIRES THAT PANDUIT PART NUMBER CTCN1X5B TO BE INSTALLED INTO 1.5" X 5" CABINET TOP OPENING PRIOR TO CTGN1X5 INSTALLATION.
4. FINISH COLOR: BLACK
5. DIMENSION IN PARENTHESES ARE IN METRIC



REV	DATE	BY	CHK	APR	DESCRIPTION	ECN
1	03-11-13	SSP	DWR	RN	RELEASED TO PRODUCTION	12D289AA-DC
R	08-02-12	SSP	DWR		DRAWING RELEASED	

TITLE		1.5" X 5" COOL BOOT CABINET TOP AIR SEALING FITTING (CTGN1X5) CUSTOMER DRAWING	
ITEM REVISION NAME		12D289AA/00	
DATASET FILE NAME		12D289AA_DC/00B CTGN1X5	
UNLESS OTHERWISE SPECIFIED, DIMENSIONAL TOLERANCES ARE: IN (mm)		PANDUIT TM MATERIAL: SEE NOTES ABOVE	
.X ± .XX ± .03 [.8]		.XXX ± ANGLES ±	
THIRD ANGLE PROJECTION		DRAWING NUMBER: 12D289AA-DC	
DRAWN BY	DATE	CHK	SCALE
SSP	8-02-12	DWR	NONE
SHT 1 OF 1			SIZE A

D10100DA/12