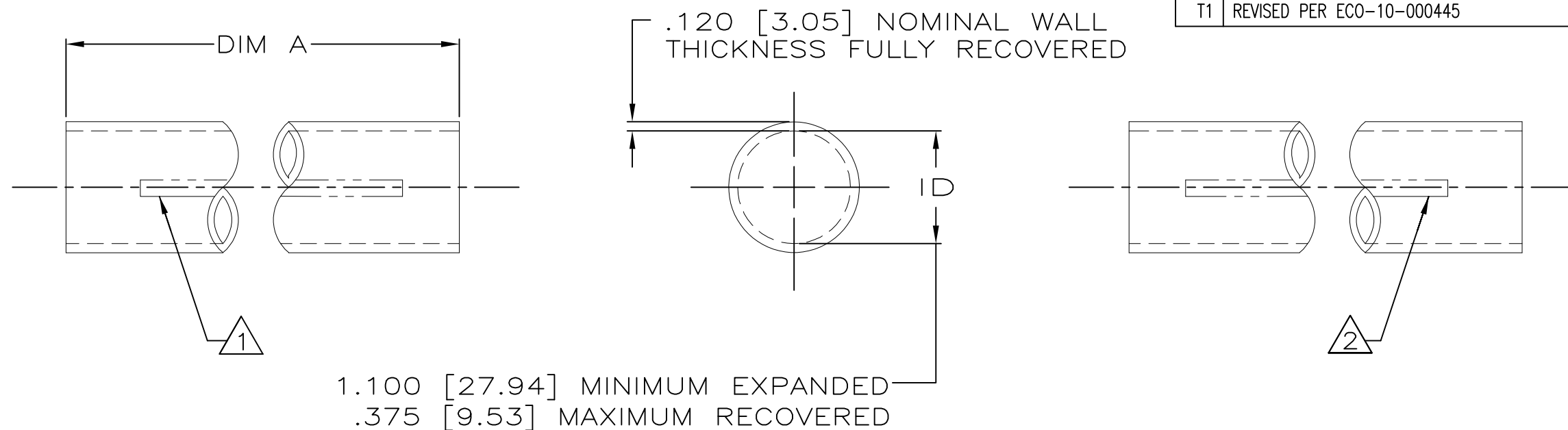


REVISIONS			
REV	DESCRIPTION	DATE	APPROVED
T	REVISED PER DCR R030292	23-JUL-03	JKUSTER
T1	REVISED PER ECO-10-000445	20-JAN-10	HMR



- 1. PRODUCT MARKED WITH AMP, AND DATE CODE WITH .25 [6.35] HIGH CHARACTERS USING WHITE INK LOCATED ALONG THIS SURFACE. REPEATED EVERY 8.0 [203.2] INCHES.
- 2. PRODUCT MARKED 1.100 - .375/ 28mm - 9.5mm WITH .25 [6.35] HIGH CHARACTERS USING WHITE INK LOCATED ALONG THIS SURFACE. REPEATED EVERY 8.0 [203.2] INCHES.
- 3. SEALANT APPLIED TO TUBING THROUGHOUT LENGTH.
- 4. DIMENSIONS SPECIFIED WITHOUT SEALANT.
- 5. SUPERSEDED BY 1-53712-4.
- 6. WEIGHT PER LINEAR FOOT: 60.0 GRAMS/.13 POUND.
- 7. SUPERSEDED BY 53712-2.
- 8. MATERIAL: BLACK POLYOLEFIN
- 9. OBSOLETE PARTS: OBSOLETE CIS STREAMLINING PER D.RENAUD/D.SINISI

9	OBSOLETE		-8-53712-2
		12.00 ± .19 [ 304.8 ± 4.8 ]	1-53712-4
		49.00 - 48.00 [1244.6 - 1219.2]	1-53712-1
			53712-4
		9.00 ± .19 [228.6 ± 4.8]	53712-3
		6.00 ± .19 [152.4 ± 4.8]	53712-2
		3.00 ± .19 [76.2 ± 4.8]	53712-1
		DIMENSION A	PART NO

SPECIFICATION CONTROL DRAWING

UNLESS OTHERWISE SPECIFIED DIMENSIONS ARE IN INCHES. METRIC DIMENSIONS ARE IN BRACKETS.  DECIMALS .XXX ±.005 [0.13 mm] .XX ±.01 [0.25 mm] .X ±.1 [2.54 mm]  ANGLES .X ± 0.5 DEG	DRAWN	UNGUYEN	07/23/03	Tyco Electronics Corporation 300 Constitution Drive Menlo Park, CA. USA 94025	
	CHECKED				
	APPROVED	JKUSTER	07/23/03	TITLE	
	APPROVED			AMPSULATION HWP31, HST, WITH SEALANT, 1.100 INCHES DIAMETER	
	CAD NAME R030292			SIZE	CODE IDENT. NO.
	THIRD ANGLE PROJECTION			B	06090
				DWG. NO.	C-53712
				DO NOT SCALE THIS DRAWING	
				SHEET 1 OF 1	