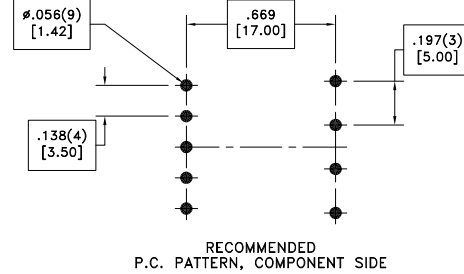
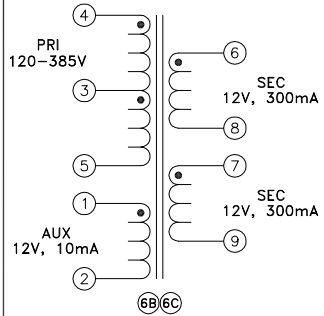
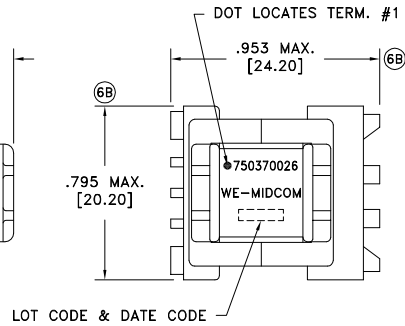
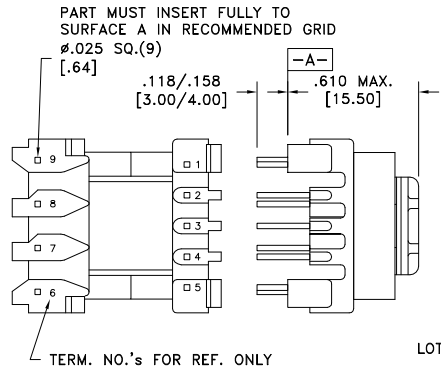


CUSTOMER TERMINAL	RoHS	LEAD(Pb)-FREE
Sn96%, Ag4%	Yes	Yes

more than you expect



ELECTRICAL SPECIFICATIONS @ 25°C unless otherwise noted:

PARAMETER	TEST CONDITIONS	VALUE
D.C. RESISTANCE	4-5 @20°C	16.00 ohms max.
D.C. RESISTANCE	1-2 @20°C	3.80 ohms max.
D.C. RESISTANCE	6-8 tie(6+7, 8+9), @20°C	0.240 ohms max.
INDUCTANCE	4-5 10kHz, 100mVAC, Ls	3.90mH ±10%
LEAKAGE INDUCTANCE	4-5 tie(1+2, 6+7+8+9), 100kHz, 100mVAC, Ls	100uH max.
DIELECTRIC	4-6 tie(1+5, 6+7), 4000VAC, 1 second	3200VAC, 1 minute
DIELECTRIC	4-1 1500VAC, 1 second	1200VAC, 1 minute
TURNS RATIO	(4-5):(6-8)	8.96:1, ±1%
TURNS RATIO	(4-5):(7-9)	8.96:1, ±1%
TURNS RATIO	(4-5):(1-2)	8.96:1, ±1%

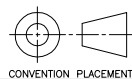
GENERAL SPECIFICATIONS:

OPERATING TEMPERATURE RANGE: -40°C to +125°C.

Designed to comply with the following requirements as defined by IEC60950-1, EN60950-1, UL60950-1/CSA60950-1 and AS/NZS60950.1:

- Reinforced insulation for a primary circuit at a working voltage of 375VDC.

REV.	DATE	Packaging Specifications
6C	7/13	Method: Tray PKG-0058
6B	6/10	www.we-online.com/midcom
6A	10/08	SEE REVISION SHEET FOR



Tolerances unless otherwise specified:
 Angles: ±1° Decimals: ±.005 [.13]
 Fractions: ±1/64 Footprint: ±.001 [.03]

This drawing is dual dimensioned. Dimensions in brackets are in millimeters.

DRAWING TITLE

TRANSFORMER

eiSos p/n: 750370026



PART NO.

750370026

SPECIFICATION SHEET 1 OF 1