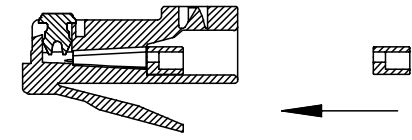
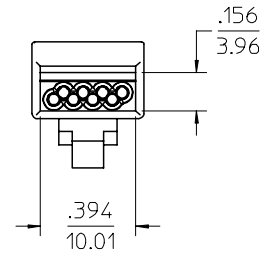


ISOMETRIC VIEW
(NOT TO SCALE)



- NOTES:
- MATERIAL:
PLUG: POLYCARBONATE, 94V-0, COLOR: CLEAR,
LOAD BAR: POLYCARBONATE, 94V-0, COLOR: CLEAR,
CONTACTS: PHOSPHOR BRONZE.
 - CONTACT PLATING:
50 MICROINCHES / 1.27 MICROMETERS MIN. SELECT GOLD OVER
100 MICROINCHES / 2.54 MICROMETERS MIN. NICKEL UNDERPLATE.
 - PRODUCT SPECIFICATION: PS-44915-003
 - PACKAGING SPECIFICATION:
ALL PARTS ARE BULK PACKED PER MOLEX PACKAGING
SPECIFICATION PK-44915-003.
 - FOR USE WITH 22 TO 28 AWG SOLID OR STRANDED
CONDUCTORS WITH AN INSULATION O.D. RANGE OF .037/0.94 -
.042/1.07 AND A JACKET O.D. OF .217/5.5 - .256/6.5.
 - EIGHT CONDUCTOR MODULAR PLUG, CONFORMS TO F.C.C.
REGULATION PART 68.5 FOR MODULAR PLUGS.
 - PLUG REQUIRES THE LOAD BAR.
 - ALL UNTOLERANCED DIMENSIONS ARE FOR REFERENCE ONLY.
 - PLUG EXCEEDS CATEGORY 5 EIA/TIA 2840, ANNEX B
SPECIFICATION, PERFORMANCE TUNED TO CABLES MEETING
PROPOSED CATEGORY 6 SPECIFICATIONS.
 - THE PRIMARY SHIPPING CARTON WILL BE LABELED "COMPLIANT
TO RoHS DIRECTIVE 2002/95/EC AND ELV ANNEX II OF
DIRECTIVE 2000/53/EC". CARTONS WITHOUT THIS LABEL
MAY NOT BE COMPLIANT.
 - THIS PART CONFORMS TO CLASS B REQUIREMENTS OF
COSMETIC SPECIFICATION PS-45499-002.

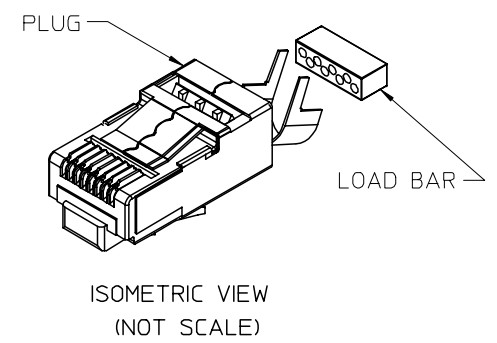
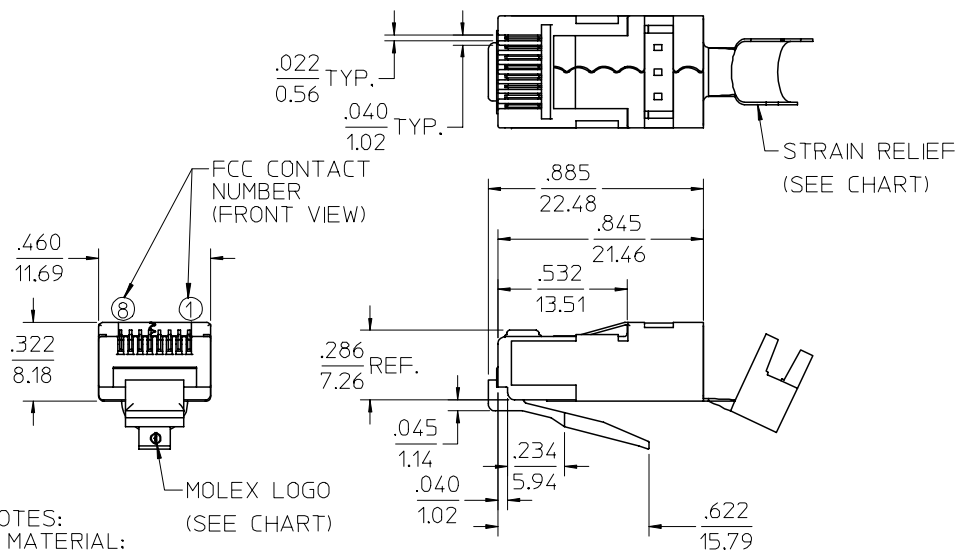
MATERIAL NUMBER	MOLEX LOGO
449150001	YES
449150002	NO
SCALE 2:1	DESIGN UNITS INCH
THIRD ANGLE PROJECTION	

UPDATE NOTE 5 EC NO: UCP2007-1736 DRW: JRELL 2007/01/29 CHK: DLSCHM1DT 2007/01/30 APPR: FSWJTH 2007/02/01	QUALITY SYMBOLS
	= 0 = 0
REV	DESCRIPTION
A5	

GENERAL TOLERANCES (UNLESS SPECIFIED)																
	<table border="1"> <tr> <td></td> <td>mm</td> <td>INCH</td> </tr> <tr> <td>4 PLACES</td> <td>± .005</td> <td>± .0004</td> </tr> <tr> <td>3 PLACES</td> <td>± .004</td> <td>± .0003</td> </tr> <tr> <td>2 PLACES</td> <td>± .003</td> <td>± .0002</td> </tr> <tr> <td>1 PLACE</td> <td>± .002</td> <td>± .0001</td> </tr> </table>		mm	INCH	4 PLACES	± .005	± .0004	3 PLACES	± .004	± .0003	2 PLACES	± .003	± .0002	1 PLACE	± .002	± .0001
	mm	INCH														
4 PLACES	± .005	± .0004														
3 PLACES	± .004	± .0003														
2 PLACES	± .003	± .0002														
1 PLACE	± .002	± .0001														
ANGULAR ±1/2°																
DRAFT WHERE APPLICABLE MUST REMAIN WITHIN DIMENSIONS																

DIMENSION STYLE IN/MM	
DRAWN BY	DATE
MARGUL IS	01/01/12
CHECKED BY	DATE
MARGUL IS	01/01/12
APPROVED BY	DATE
COMERC I	01/01/12
MATERIAL NO. SEE CHART	

TITLE RJ-45 PLUG FOR PROPOSED CAT 6 SPECIFICATIONS	
MOLEX INCORPORATED	
DOCUMENT NO. SD-44915-001	SHEET NO. 1 OF 2



- NOTES:
- MATERIAL:
 PLUG: POLYCARBONATE, 94V-0, COLOR: CLEAR.
 LOAD BAR: POLYCARBONATE, 94V-0, COLOR: CLEAR.
 CONTACTS: PHOSPHOR BRONZE,
 SHIELD: BRASS.
 - CONTACT PLATING:
 50 MICROINCHES / 1.27 MICROMETERS MIN. SELECT GOLD OVER
 100 MICROINCHES / 2.54 MICROMETERS MIN. NICKEL UNDERPLATE.
 SHIELD:
 100 MICROINCHES / 2.54 MICROMETERS BRIGHT TIN OVER
 30 MICROINCHES / 0.76 MICROMETERS COPPER UNDERPLATE.
 - PRODUCT SPECIFICATION: PS-44915-003
 - PACKAGING SPECIFICATION:
 ALL PARTS ARE BULK PACKED PER MOLEX PACKAGING
 SPECIFICATION PK-44915-003.
 - FOR USE WITH 22 TO 28 AWG SOLID OR STRANDED
 CONDUCTORS WITH AN INSULATION O.D. RANGE OF .037/0.94 -
 .042/1.07 AND A JACKET O.D. OF .217/5.5 - .256/6.5.
 - EIGHT CONDUCTOR MODULAR PLUG CONFORMS TO F.C.C.
 REGULATION PART 68.5 FOR MODULAR PLUGS.
 - PLUG REQUIRES THE LOAD BAR.
 - ALL UNTOLERANCED DIMENSIONS ARE FOR REFERENCE ONLY.
 - PLUG EXCEEDS CATEGORY 5 EIA/TIA 2840, ANNEX B
 SPECIFICATION, PERFORMANCE TUNED TO CABLES MEETING
 PROPOSED CATEGORY 6 SPECIFICATIONS.
 - THE PRIMARY SHIPPING CARTON WILL BE LABELED "COMPLIANT
 TO RoHS DIRECTIVE 2002/95/EC AND ELV ANNEX II OF
 DIRECTIVE 2000/53/EC". CARTONS WITHOUT THIS LABEL
 MAY CONTAIN PRODUCT WITH TIN-LEAD IN THE SHIELD.
 - THIS PART CONFORMS TO CLASS B REQUIREMENTS OF
 COSMETIC SPECIFICATION PS-45499-002.

MATERIAL NUMBER	MOLEX LOGO	STRAIN RELIEF
449150011	YES	NO
449150012	NO	NO
449150021	YES	YES
449150022	NO	YES

UPDATE NOTE 2 & 5 EC NO: UCP2007-1736 DRWN: BELL 2007/01/29 CHKD: LSCMIDT 2007/01/30 APPR: FSWITH 2007/02/01	QUALITY SYMBOLS ▽=0 ▽=0	GENERAL TOLERANCES (UNLESS SPECIFIED)	DIMENSION STYLE IN/MM	SCALE 2:1	DESIGN UNITS INCH	THIRD ANGLE PROJECTION															
		<table border="1"> <thead> <tr> <th></th> <th>mm</th> <th>INCH</th> </tr> </thead> <tbody> <tr> <td>4 PLACES</td> <td>±---</td> <td>±---</td> </tr> <tr> <td>3 PLACES</td> <td>±---</td> <td>±---</td> </tr> <tr> <td>2 PLACES</td> <td>±---</td> <td>±---</td> </tr> <tr> <td>1 PLACE</td> <td>±---</td> <td>±---</td> </tr> <tr> <td colspan="3">ANGULAR ±1/2°</td> </tr> </tbody> </table>		mm	INCH	4 PLACES	±---	±---	3 PLACES	±---	±---	2 PLACES	±---	±---	1 PLACE	±---	±---	ANGULAR ±1/2°			DRAWN BY MARGUL IS DATE 01/01/12 CHECKED BY MARGUL IS DATE 01/01/12 APPROVED BY COMERC I DATE 01/01/12
	mm	INCH																			
4 PLACES	±---	±---																			
3 PLACES	±---	±---																			
2 PLACES	±---	±---																			
1 PLACE	±---	±---																			
ANGULAR ±1/2°																					
DRAFT WHERE APPLICABLE MUST REMAIN WITHIN DIMENSIONS	SEE CHART	MATERIAL NO. SD-44915-001	DOCUMENT NO. SD-44915-001	SHEET NO. 2 OF 2																	
THIS DRAWING CONTAINS INFORMATION THAT IS PROPRIETARY TO MOLEX INCORPORATED AND SHOULD NOT BE USED WITHOUT WRITTEN PERMISSION																					