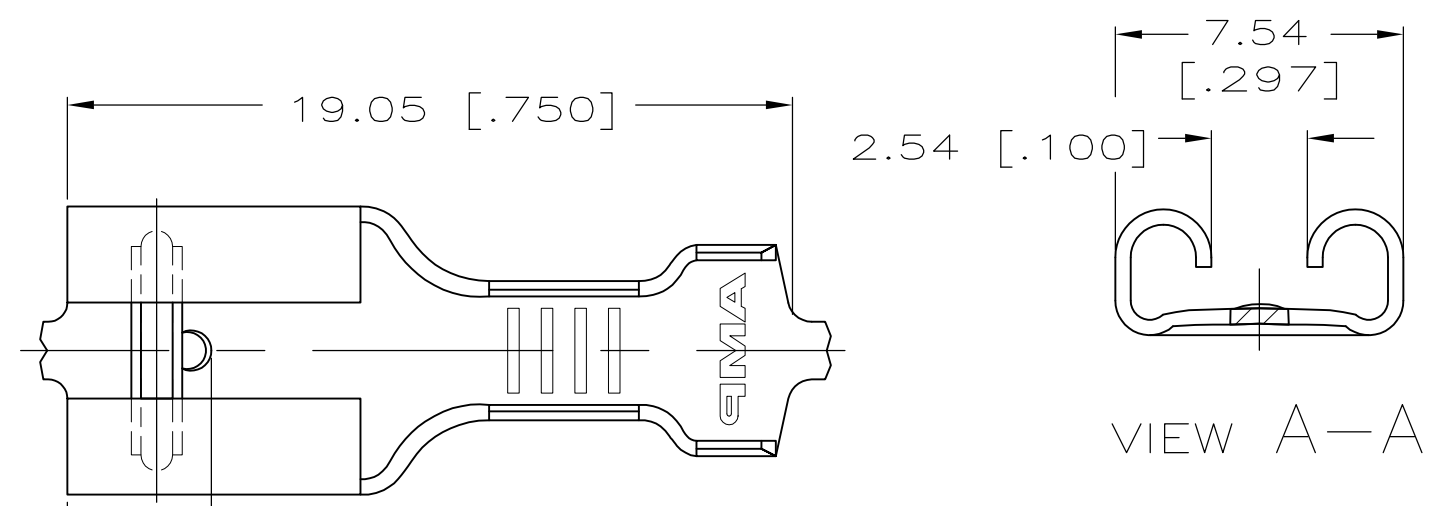


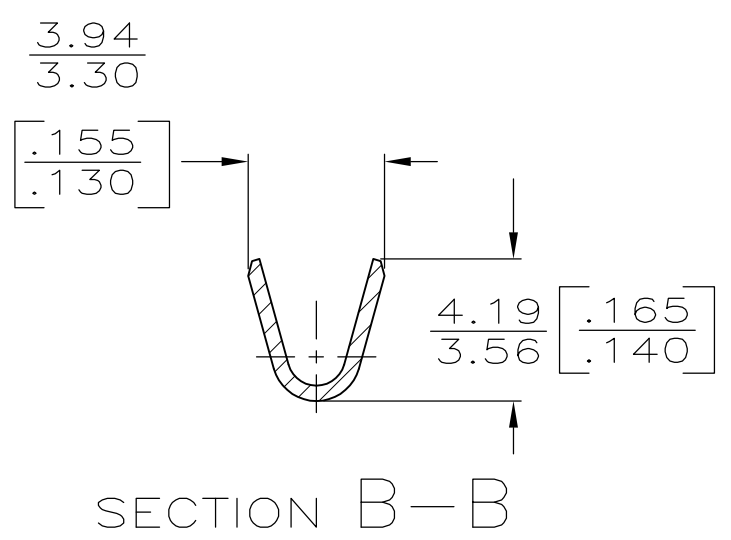
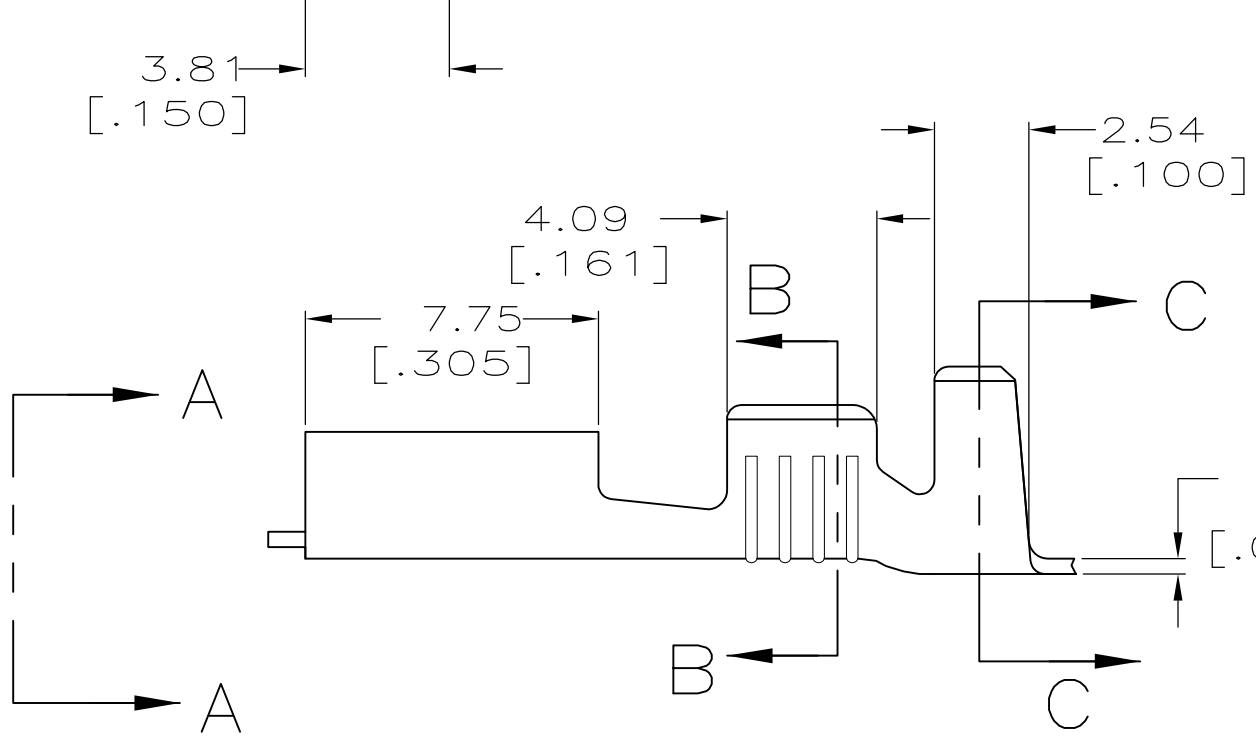
THIS DRAWING IS UNPUBLISHED. RELEASED FOR PUBLICATION  
 © COPYRIGHT - By - ALL RIGHTS RESERVED.

LOC	DIST	REVISIONS			
P	LTR	DESCRIPTION	DATE	DWN	APVD
AF	50	C	REVISED PER ECR-12-013518	24NOV12	KH PD

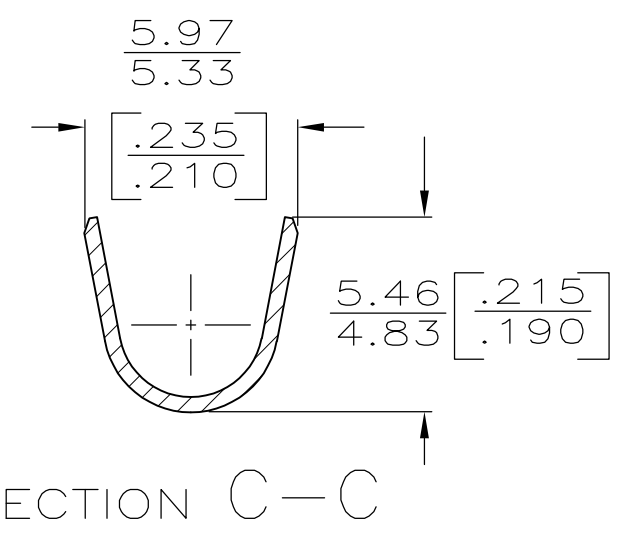
- 1 CONTINUOUS STRIP ON REELS.
- 3 WIRE SIZE IS [#18-#14] AWG.
- 4 INSULATION RANGE TO BE 3.05-4.32 [.120-.170] DIA.
- 5 MATING TAB TO BE 1.27±0.025 [.050±.001].



VIEW A-A



SECTION B-B



SECTION C-C

±0.025  
0.41  
±.001  
[.016]

63985-1  
PART NO.

THIS DRAWING IS A CONTROLLED DOCUMENT.		DWN JR RUTH 4/25/97	<b>TE Connectivity</b>  RECEPTACLE, FASTON, 6.35 [.250] SERIES		
DIMENSIONS: mm [INCHES]		CHK MS FEHER 4/25/97			
TOLERANCES UNLESS OTHERWISE SPECIFIED:		APVD P DESANTIS 4/25/97			
0 PLC ± - 1 PLC ± - 2 PLC ± 0.25 [.010] 3 PLC ± - 4 PLC ± - ANGLES ± -		NAME			
MATERIAL BRASS		FINISH TIN	PRODUCT SPEC -	APPLICATION SPEC 114-2036	RESTRICTED TO -
CUSTOMER DRAWING			WEIGHT -	SIZE A3	CAGE CODE 00779
			DRAWING NO C-63985		SCALE 5:1
			SHEET 1 OF 1		REV C