

4

3

2

1

THIS DRAWING IS UNPUBLISHED.

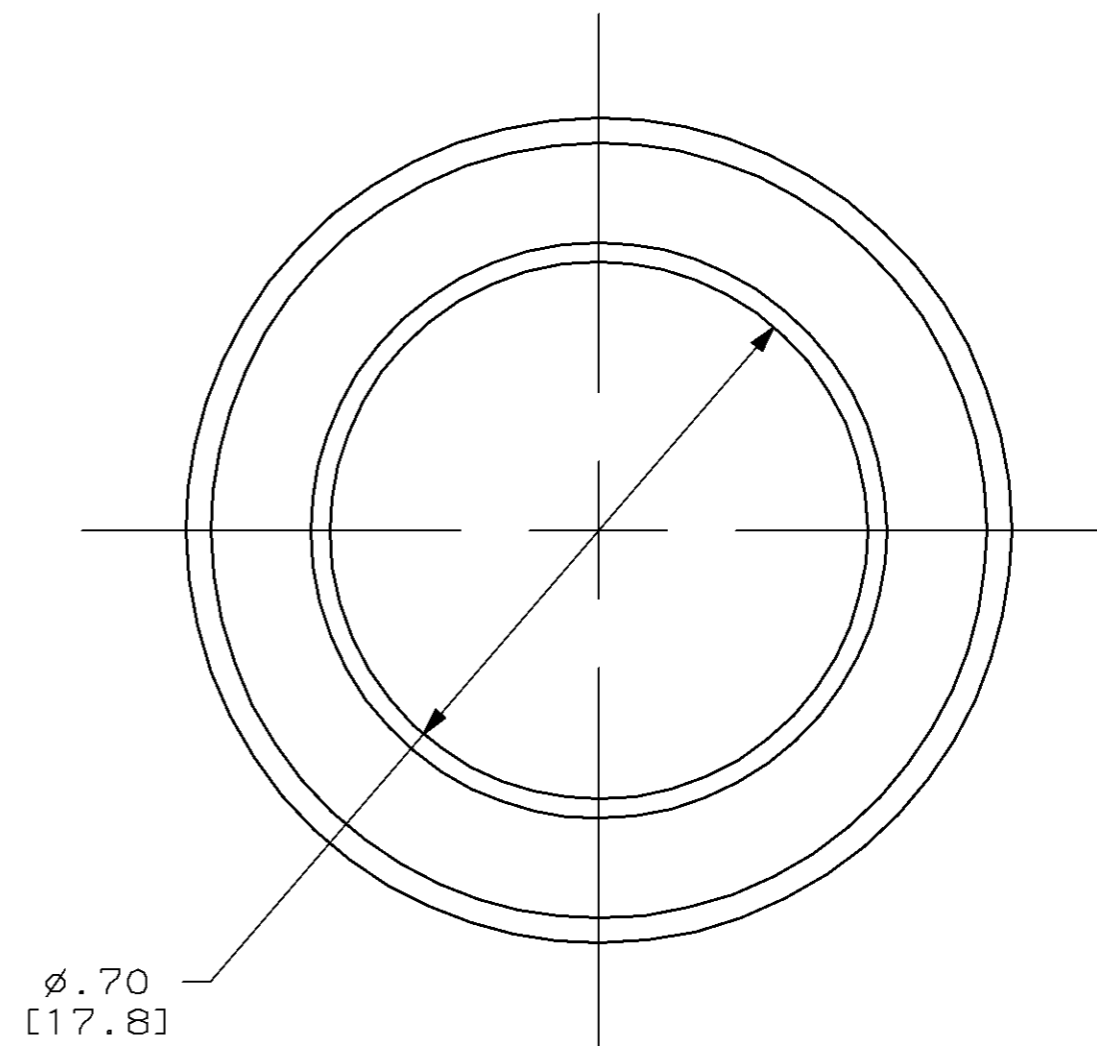
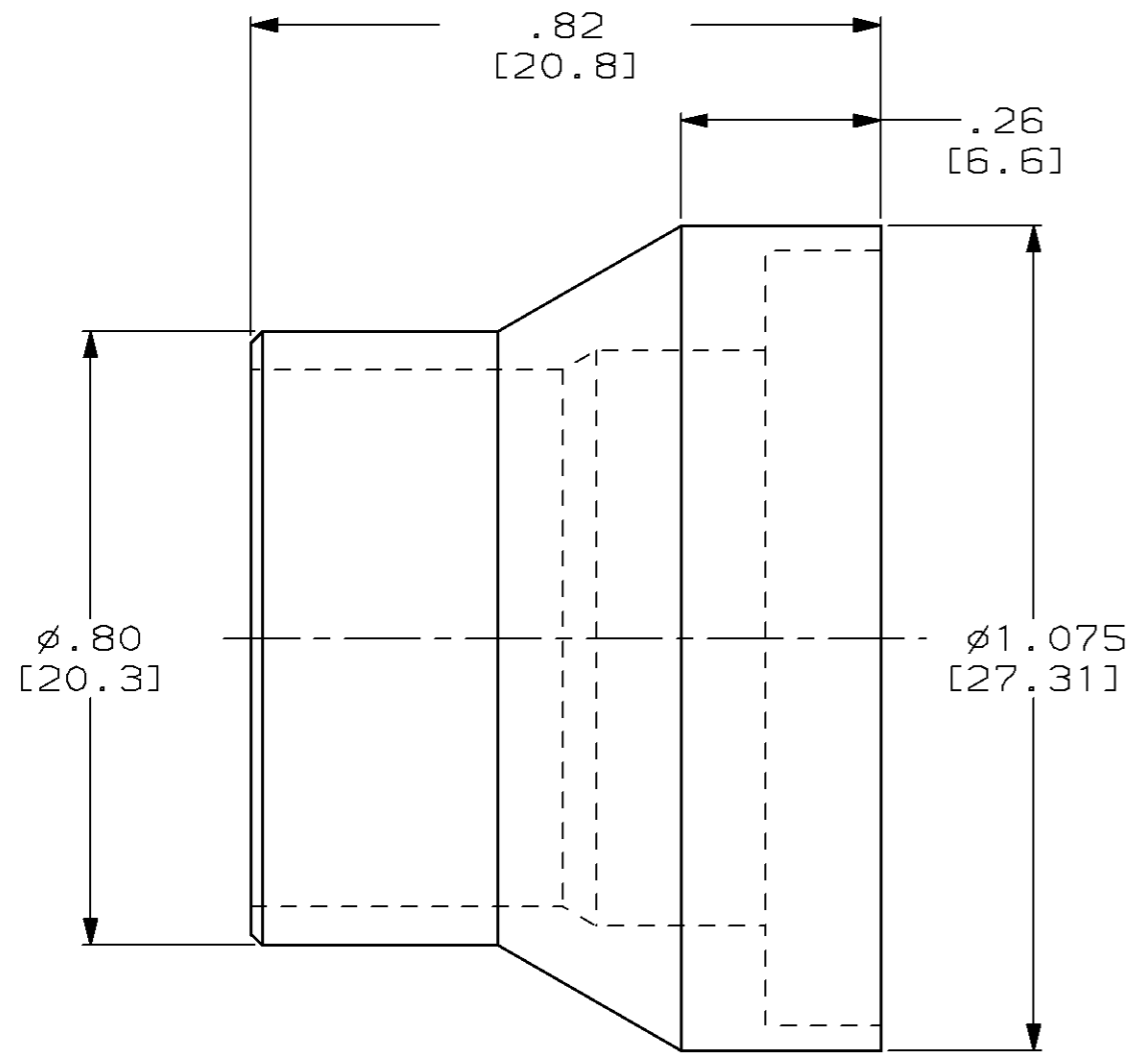
RELEASED FOR PUBLICATION

,19 .

© COPYRIGHT 19

BY AMP INCORPORATED. ALL RIGHTS RESERVED.

| LOC | DIST | REVISIONS | | | |
|-----|------|-------------|----------|------|-------|
| P | LTR | DESCRIPTION | DATE | DWN | APVD |
| DF | SO | 0 | RELEASED | 7-97 | CT DE |



862256-1
PART NO.

| | | | | | | | | | | | | | | | | |
|--|----------------|-------------------------------|---|--------------------|----|-------|------------|-------|--------------|-------|----|--------|----|-------------------|-----------------------|--------------------|
| THIS DRAWING IS A CONTROLLED DOCUMENT. | | DWN C.C. THOMAS 7-14-97 | AMP Incorporated Harrisburg, PA 17105-3608 | | | | | | | | | | | | | |
| DIMENSIONS: INCHES [mm] | | CHK D.EABY 8-5-97 | NAME | | | | | | | | | | | | | |
| TOLERANCES UNLESS OTHERWISE SPECIFIED: | | APVD D.EABY 8-5-97 | POTTING SHELL, RECEPTACLE, LGH | | | | | | | | | | | | | |
| <table border="1"> <tr><td>0 PLC</td><td>±-</td></tr> <tr><td>1 PLC</td><td>±-</td></tr> <tr><td>2 PLC</td><td>±.02 [0.5]</td></tr> <tr><td>3 PLC</td><td>±.005 [0.13]</td></tr> <tr><td>4 PLC</td><td>±-</td></tr> <tr><td>ANGLES</td><td>±-</td></tr> </table> | | 0 PLC | ±- | 1 PLC | ±- | 2 PLC | ±.02 [0.5] | 3 PLC | ±.005 [0.13] | 4 PLC | ±- | ANGLES | ±- | PRODUCT SPEC - | APPLICATION SPEC - | RESTRICTED TO - |
| 0 PLC | ±- | | | | | | | | | | | | | | | |
| 1 PLC | ±- | | | | | | | | | | | | | | | |
| 2 PLC | ±.02 [0.5] | | | | | | | | | | | | | | | |
| 3 PLC | ±.005 [0.13] | | | | | | | | | | | | | | | |
| 4 PLC | ±- | | | | | | | | | | | | | | | |
| ANGLES | ±- | | | | | | | | | | | | | | | |
| MATERIAL POLYESTER MLDG. CMPD. | COLOR BLACK | WEIGHT - | SIZE A3 | CAGE CODE 00779 | | | | | | | | | | | | |
| | | DRAWING NO C-862256 | | SCALE 4:1 | | | | | | | | | | | | |
| | | CUSTOMER DRAWING | | SHEET 1 OF 1 | | | | | | | | | | | | |
| | | | | REV 0 | | | | | | | | | | | | |