

PART NUMBER: **USB-M2XFXX**

**Packaging:**  
 TR - tape/reel w/pick up pad  
 TU - tube  
 T0 - tape/reel w/out pad

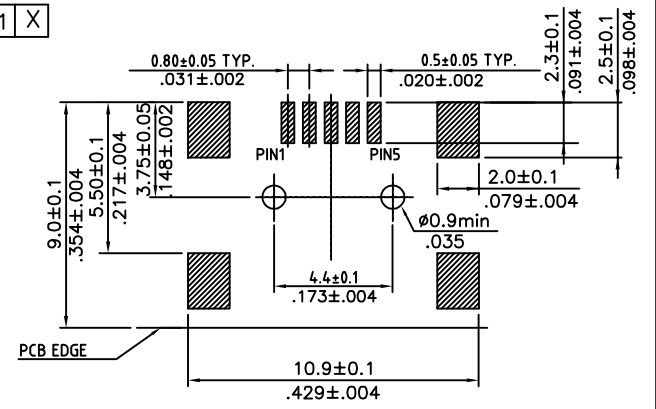
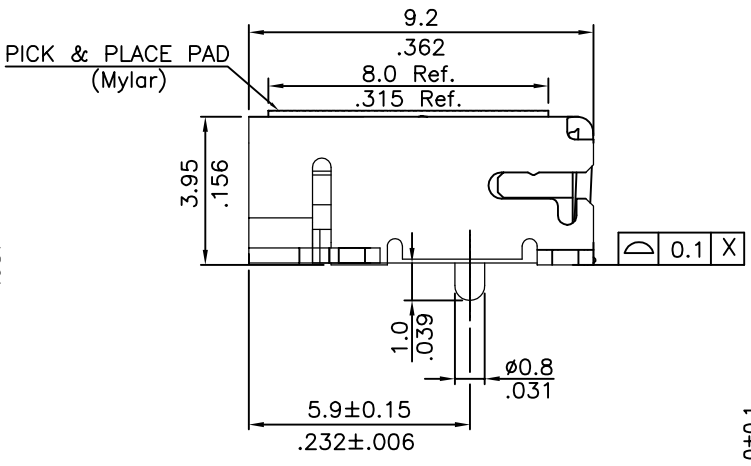
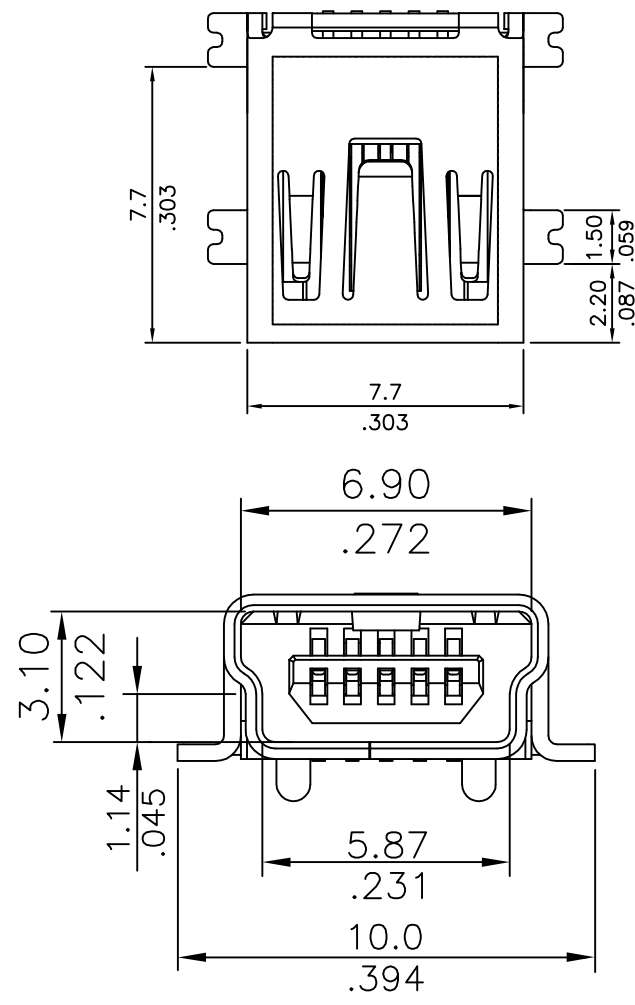
**Plating:**  
 6 - selective flash gold  
 8 - selective 30u" gold  
 may require MOQ

SIGN	DATE	DESCRIPTION	APPROVER
THIS IS CAD DRAWING, DO NOT REVISE MANUALLY!!!			

- Material**
- Insulator: Glass Filled Polyamide
  - Flammability: UL94V-0
  - Contacts: Copper Alloy
  - Shell: Copper Alloy
  - Shell Plating: 120u" Tin over 30u" Nickel

- Ratings**
- Current: 1A
  - Voltage: 30V AC(r.m.s.)
  - Contact Resistance: <30mΩ
  - Insulation Resistance: >1000 MU
  - Dielectric Strength: 750V AC
  - Operating Temp: 0°C - +40°C
  - Storage Temp: -40°C - +60°C

RoHS Compliant



Recommended P.C. Board Layout

THESE DRAWINGS AND SPECIFICATIONS ARE THE PROPERTY OF ON-SHORE TECHNOLOGY, INC. AND SHALL NOT BE REPRODUCED, COPIED OR USED IN ANY MANNER WITHOUT THE PRIOR WRITTEN CONSENT OF ON-SHORE TECHNOLOGY, INC.



TITLE		Mini USB - SMT Board Mount- B Type			
PART NO.	USB-M2XFXX	DWG NO.	USB-M2XFXX.DWG		
APPROVED	CHECKED	DESIGNED	DRAWN	4050	
Stephen 2006.09.30	Marvin 2006.09.30	Sun 2006.09.30	Lee 2006.09.30	Tolerance	
					X.* ±1"
					X.X ±0.20/.008
					X.XX ±0.10/.004
					X.XXX ±0.05/.002
SHEET: 1/1				REV.: B	