

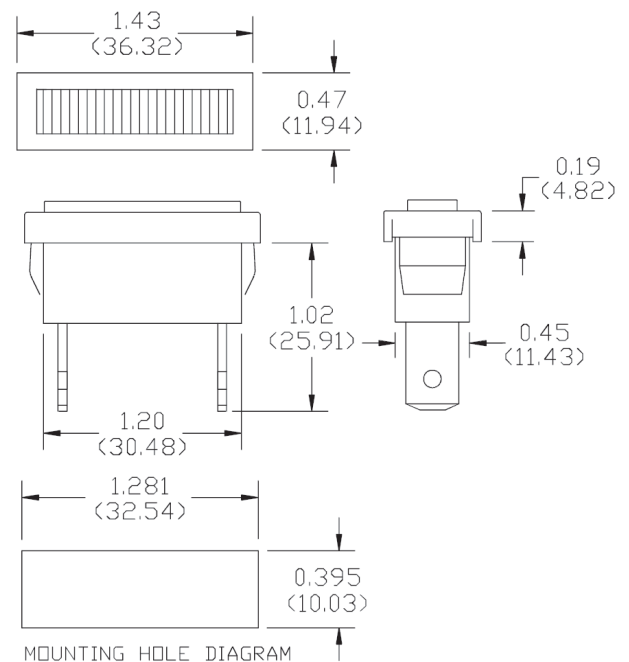
31 Series Snapfit Indicator Lights for 1.281" x 0.395" (32.54mm x 10.03mm) Mounting Hole

Zinc plated bezel, white nylon housing, neon or incandescent lights

Overview

The 31 Series rectangular indicators feature a wide variety of lens colors and voltage options. Indicator lights quickly snap fit into a 1.281" x 0.395" (32.54mm x 10.03mm) mounting hole. Recommended panel thickness range from 0.020" (0.5mm) minimum to 0.090" (2.3mm) maximum. Lenses may be customized with stamped message. Contact your customer service representative for specific ordering information.

- rectangular indicator lights for 1.281" x 0.395" (32.54mm x 10.03mm) mounting hole
- 0.250" (6.35mm) tab terminals
- neon or incandescent indicator lights
- variety of lens colors
- UL Listed
- UL File E20356



Specifications

Housing: white nylon. A black housing is available.

Bezel: zinc plated steel. A black anodized bezel is available.

Lens: polycarbonate. Lenses may be customized with stamped message.

Incandescent AC or DC voltage options: 6, 14 and 28 volts.

Neon AC or DC voltage options: 125 and 250 volts.

Note: high brightness green and blue neon lamps supplied in green and blue neon applications.

Terminals: 0.250" (6.35mm) tabs: brass, (.250" (6.35mm) length x 0.030" (.76mm)) thick.



31 Series Snapfit Indicator Lights

Zinc plated bezel, white nylon housing, neon or incandescent lights

Ordering Specifications

| Part Number | Lens Color | Lamp Type | Design Volts | Design Watts or Amps | Life (hrs) |
|-------------|------------|--------------|--------------|----------------------|------------|
| 31-2111T | Red | Neon | 125 | 1/3W | 25,000 |
| 31H-2111T | Red | Neon | 250 | 1/3W | 25,000 |
| 31G1-2111T | Red | Incandescent | 6 | .20A | 5,000 |
| 31G3-2111T | Red | Incandescent | 14 | .10A | 10,000 |
| 31G18-2111T | Red | Incandescent | 28 | .04A | 7,000 |
| 31-2112T | Green | Neon | 125 | 1/3W | 25,000 |
| 31H-2112T | Green | Neon | 250 | 1/3W | 25,000 |
| 31G1-2112T | Green | Incandescent | 6 | .20A | 5,000 |
| 31G3-2112T | Green | Incandescent | 14 | .10A | 10,000 |
| 31G12-2112T | Green | Incandescent | 28 | .04A | 7,000 |
| 31-2113T | Amber | Neon | 125 | 1/3W | 25,000 |
| 31H-2113T | Amber | Neon | 250 | 1/3W | 25,000 |
| 31G1-2113T | Amber | Incandescent | 6 | .20A | 5,000 |
| 31G3-2113T | Amber | Incandescent | 14 | .10A | 10,000 |
| 31G18-2113T | Amber | Incandescent | 28 | .04A | 7,000 |
| 31-2114T | Blue | Neon | 125 | 1/3W | 25,000 |
| 31H-2114T | Blue | Neon | 250 | 1/3W | 25,000 |
| 31G1-2114T | Blue | Incandescent | 6 | .20A | 5,000 |
| 31G8-2114T | Blue | Incandescent | 14 | .10A | 10,000 |
| 31G18-2114T | Blue | Incandescent | 28 | .04A | 7,000 |
| 31-2115T | White | Neon | 125 | 1/3W | 25,000 |
| 31H-2115T | White | Neon | 250 | 1/3W | 25,000 |
| 31G1-2115T | White | Incandescent | 6 | .20A | 5,000 |
| 31G3-2115T | White | Incandescent | 14 | .10A | 10,000 |
| 31G18-2115T | White | Incandescent | 28 | .04A | 7,000 |
| 31-2117T | Clear | Neon | 125 | 1/3W | 25,000 |
| 31H-2117T | Clear | Neon | 250 | 1/3W | 25,000 |
| 31G1-2117T | Clear | Incandescent | 6 | .20A | 5,000 |
| 31G3-2117T | Clear | Incandescent | 14 | .10A | 10,000 |
| 31G18-2117T | Clear | Incandescent | 28 | .04A | 7,000 |