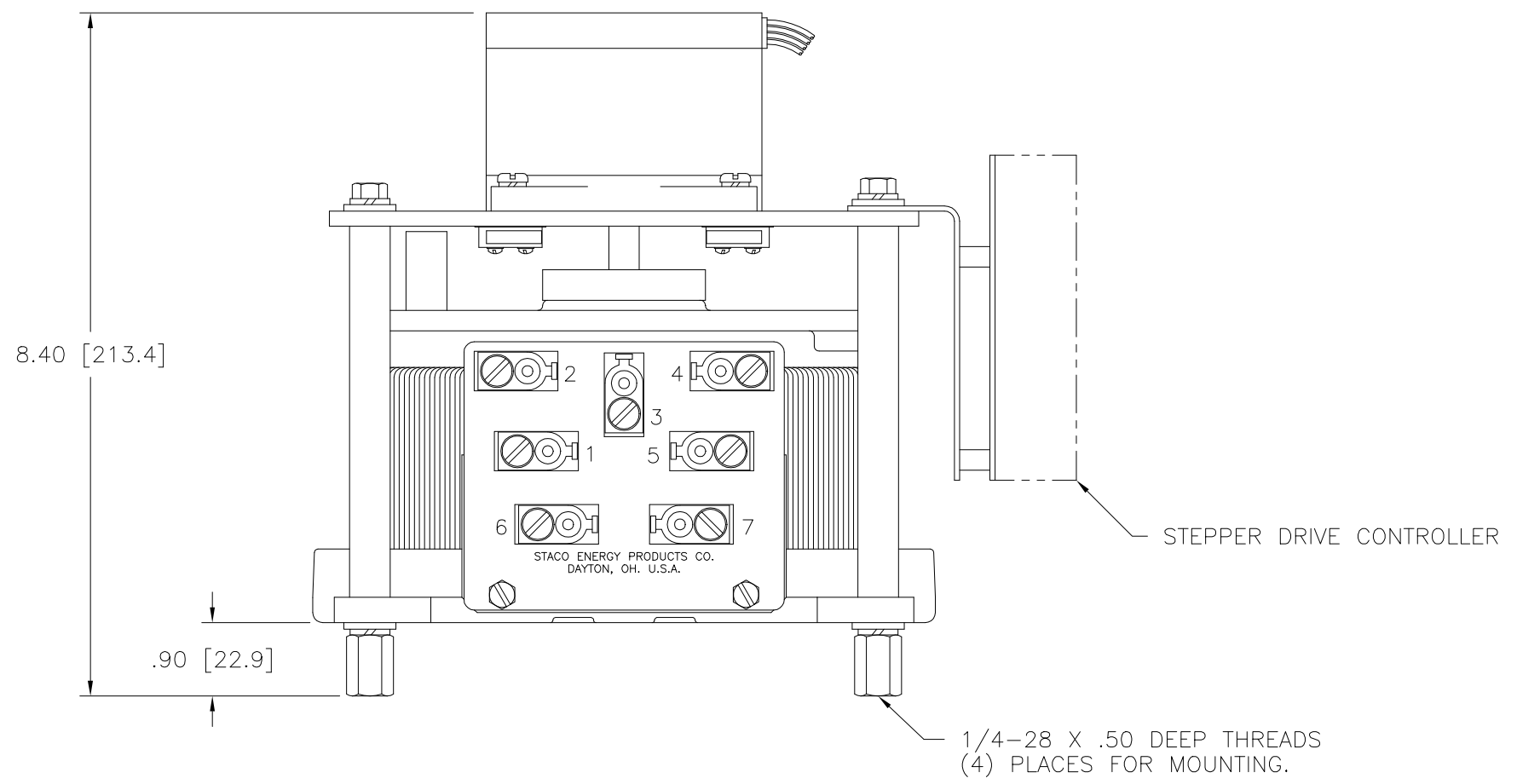
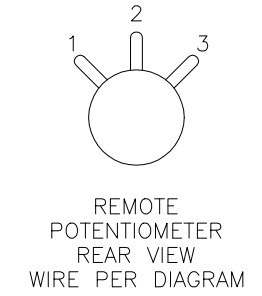
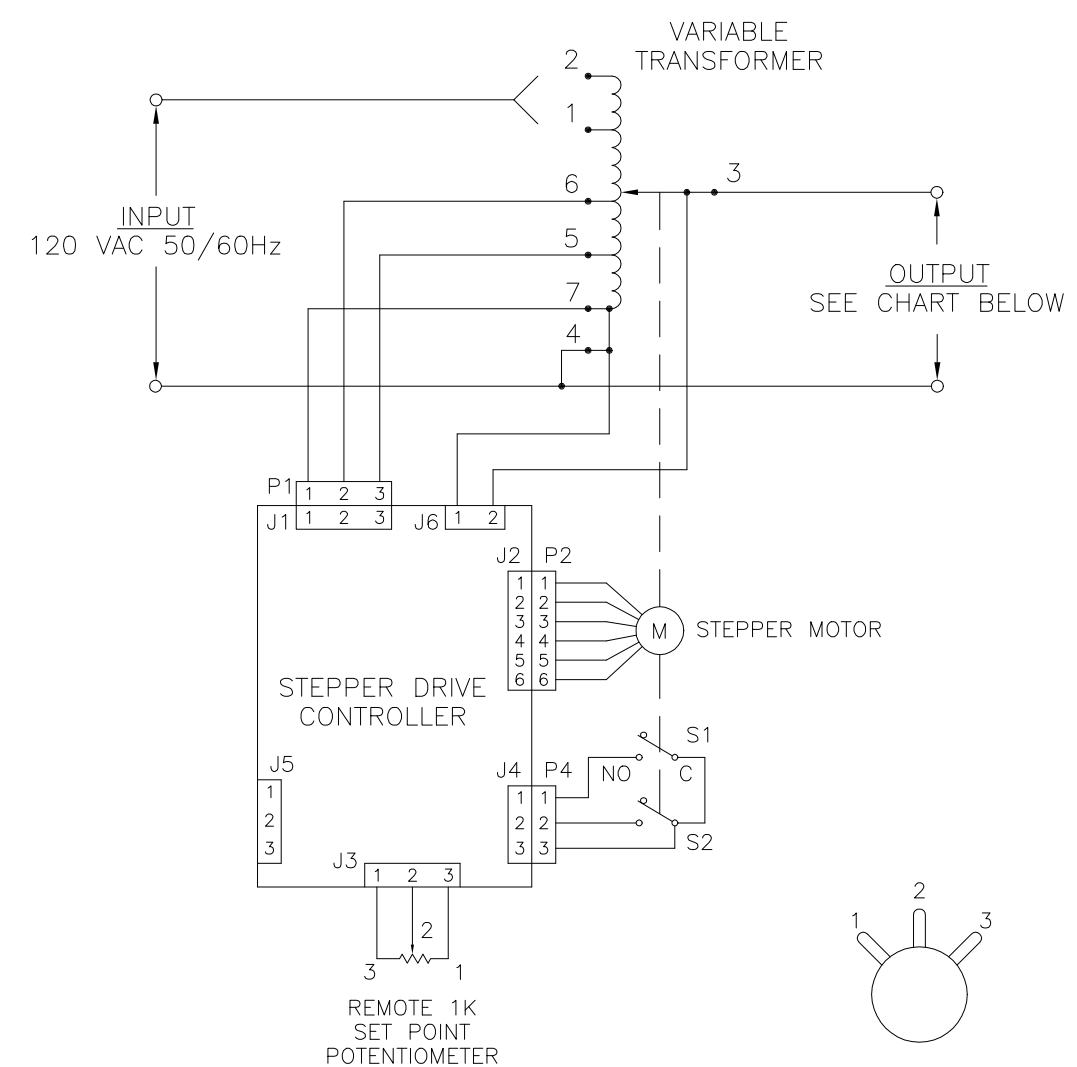
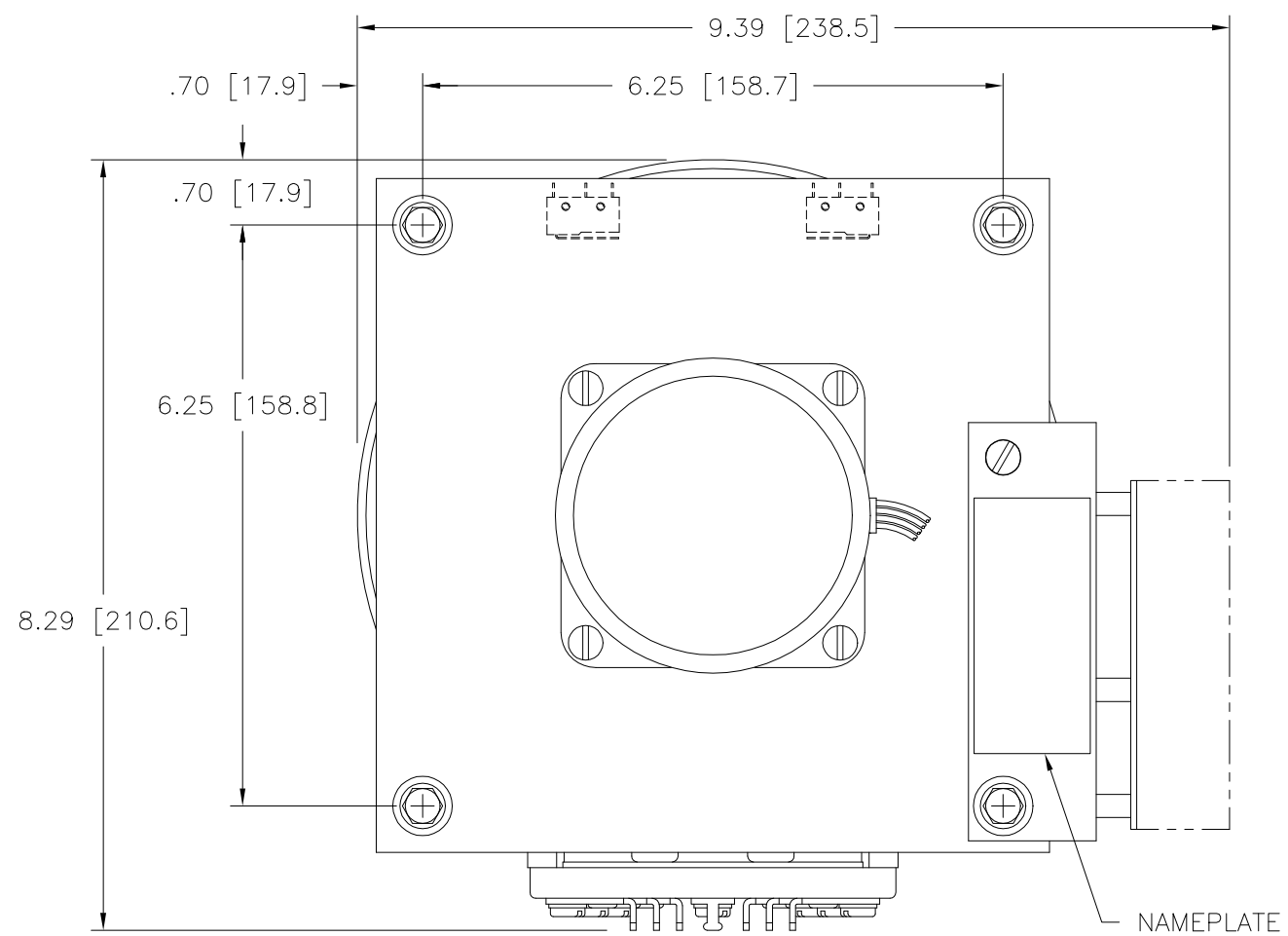


DWG. NO.	095-1805		
REVISIONS			
SYM.	E.C.N.	DATE	APVD.
A	24028	8/18/99	
CLARIFIED 5VDC NOTE			



SET POINT ADJUSTMENT:  
 THE OUTPUT SET POINT MAY BE ADJUSTED WITH THE REMOTE 1K POTENTIOMETER PROVIDED OR WITH A 0-5 VDC SIGNAL TO THE J3 CONNECTOR ON THE STEPPER DRIVE CONTROL. MAKE CONNECTIONS TO J3-2(+) & J3-3(-). A NOMINAL +5 VDC SETPOINT SUPPLY IS AVAILABLE AT J3-1 (ADJUSTABLE AT TRIMPOT R22).

SPECIFICATIONS									
WIRING	INPUT		OUTPUT				TERMINAL CONNECTIONS		
	VOLTS	HERTZ	VOLTS	CONSTANT CURRENT LOAD	CONSTANT IMPEDANCE LOAD		INPUT	OUTPUT	
SINGLE PHASE	120	50/60	0-120	MAX. AMPS	MAX. KVA	MAX. AMPS	MAX. KVA	2-4	4-3
				0-140	25	3.00	30	3.6	1-4

UNLESS OTHERWISE SPECIFIED, TOLERANCE IS #		UNITS		TITLE: SPEC. CONTROL DRAWING		DRAWN BY		DATE		FIRST USED ON		DO NOT SCALE DWG.		CUSTOMER APPROVAL		DATE	
DECIMALS	Holes	ANGLES	DRAFT	IN	MM	S.A. SMITH		12/14/95									
.XX	.0005	.002	1°	1-1/2"													
MATERIAL:				ALL DIMENSIONS APPLY AFTER PLATING				WEIGHT APPROX. 25.5 LBS		CODE IDENT. NO. 83008		DWG. NO. 095-1805		D		SHEET 1 OF 1	

