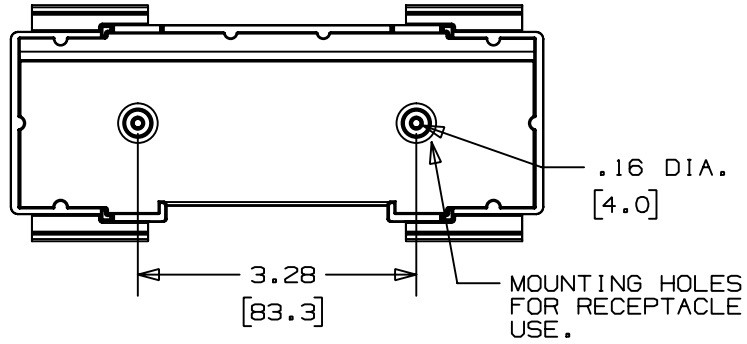


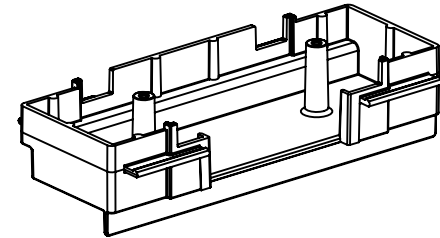
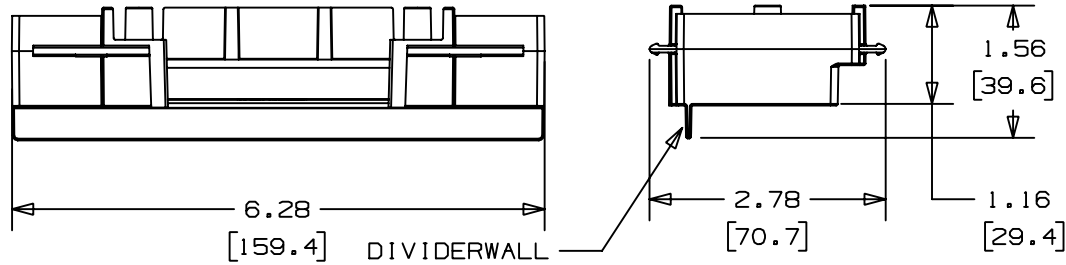
THIS COPY IS PROVIDED ON A RESTRICTED BASIS AND IS NOT TO BE USED IN ANY WAY DETRIMENTAL TO THE INTERESTS OF PANDUIT CORP.

PANDUIT P/N	WEIGHT
T70HB3	1.3 LB/10 PCS (608 g/10 PCS)



NOTES:

- SEE CURRENT CATALOG FOR ADDITIONAL PART SUFFIXES TO INDICATE PACKAGE QUANTITY AND USE.
- THE T70HB3 ALLOWS WIRE PASSAGE FROM THE OPEN SIDE OF THE BOX TO THE POWER SIDE OF THE T70B RACEWAY SYSTEM.
- THE T70HB3 ACCEPTS SNAP-ON RECEPTACLE FACEPLATES.
- DIMENSIONS IN PARENTHESES ARE IN METRIC.



CAD FILENAME/LAYERS D36601BA\_DC\_T70HB3\_00

PANDUIT CORP. TINLEY PARK, ILLINOIS  
T70 3 SIDED HANGING BOX (T70HB3)  
CUSTOMER DRAWING

UNLESS OTHERWISE SPECIFIED, DIMENSIONAL TOLERANCES ARE:  
(.X) ± (.XXX) ±  
(.XX) ±.03(.8) ANGLES ±

UNLESS OTHERWISE SPECIFIED, ALL DIMENSIONS ARE GIVEN IN INCHES, THIRD ANGLE PROJECTION.

DRAWN BY DW	MAT'L: PVC	SCALE NONE
DATE 07-02-98		DRAWING NO. 36601-03
CHECKED BY HIW		DWG A SIZE

REV	DATE	BY	CHK	DESCRIPTION	ECN	CHK	CUST	SUP
R	07-02-98	DW	HIW	RELEASED TO PRODUCTION.	36601-03	HIW	HIW	