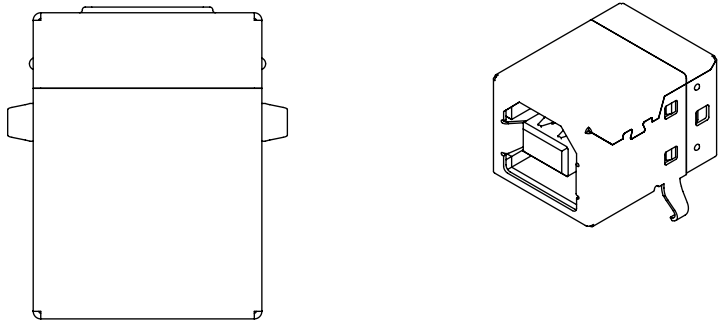
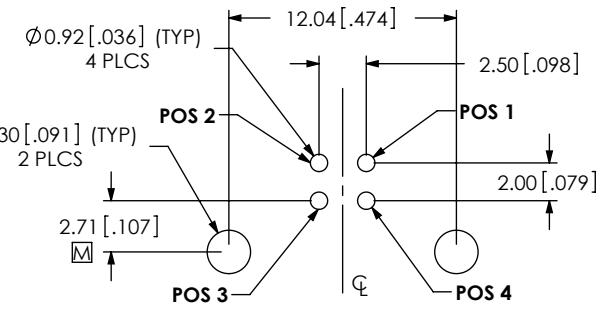
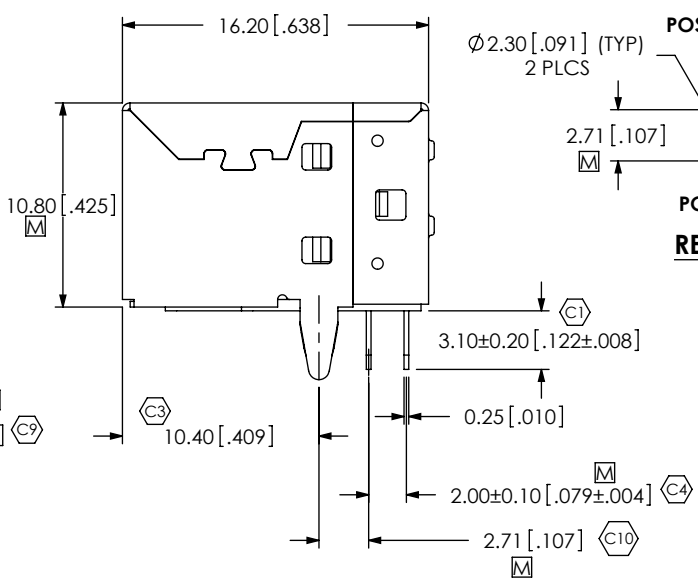
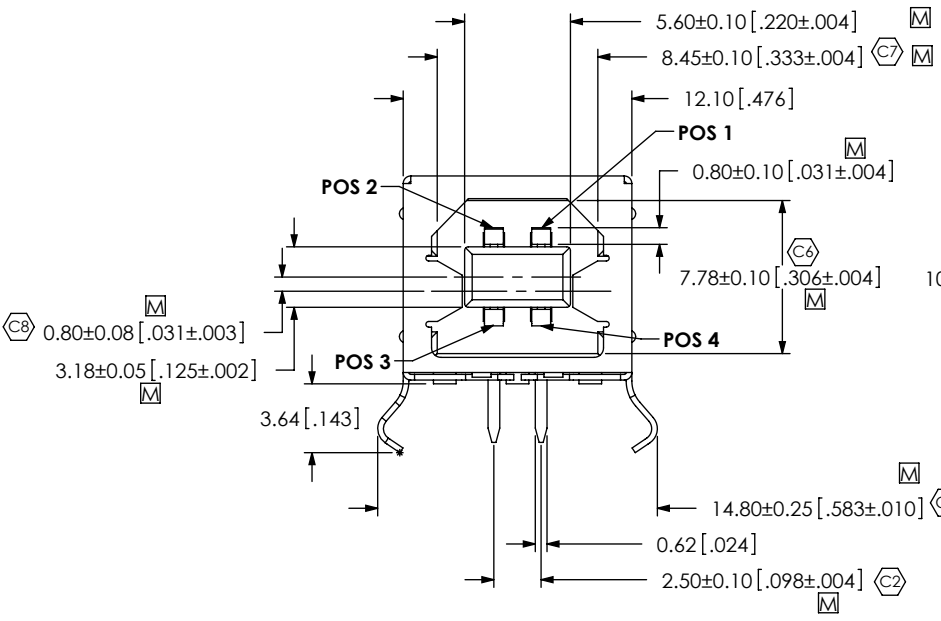


DO NOT SCALE FROM THIS PRINT




USB-B-S-X-X-TH-X-XX

- TYPE
-B
- CONFIGURATION
-S: SINGLE
- PLATING SPECIFICATION
 -F: GOLD FLASH ON MATING AREA
 MATTE TIN ON TAILS (100U" MIN)
 WITH NICKEL UNDERPLATE
 (SEE NOTE 2 FOR -R OPTION)
 -S: SELECTIVE, .000030 GOLD ON MATING AREA
 MATTE TIN ON TAILS (100U" MIN)
 WITH NICKEL UNDERPLATE
 (SEE NOTE 2 FOR -R OPTION)
- OPTIONS
 -TR: TAPE & REEL
 (LEAVE BLANK FOR TRAY PACKAGING)
 E&I OPTION
 -R: ROHS COMPLIANT
- TERMINATION
-TH: THRU HOLE
- COLOR
-B: BLACK
-W: WHITE



RECOMMENDED PCB LAYOUT

NOTES:
 1. Ⓢ REPRESENTS A CRITICAL DIMENSION.
 2. ALL PARTS ARE ROHS COMPLIANT WITH OR WITHOUT -R.

UNLESS OTHERWISE SPECIFIED, DIMENSIONS ARE IN MM[IN]. TOLERANCES ARE: DECIMALS ANGLES .X: ±.3 [.01] 2° .XX: ±.13 [.005] .XXX: ±.051 [.0020]	PROPRIETARY NOTE THIS DOCUMENT CONTAINS INFORMATION CONFIDENTIAL AND PROPRIETARY TO SAMTEC, INC. AND SHALL NOT BE REPRODUCED OR TRANSFERRED TO OTHER DOCUMENTS OR DISCLOSED TO OTHERS OR USED FOR ANY PURPOSE OTHER THAN THAT WHICH IT WAS OBTAINED WITHOUT THE EXPRESSED WRITTEN CONSENT OF SAMTEC, INC.	 520 PARK EAST BLVD, NEW ALBANY, IN 47150 PHONE: 812-944-6733 FAX: 812-948-5047 e-Mail: info@SAMTEC.com code: 55322
MATERIAL: DO NOT SCALE DRAWING SHEET SCALE: 2:1 INSULATOR: PBT CONTACT: PHOSPHOR BRONZE SHELL: STEEL; NICKEL PLATED		DESCRIPTION: USB TYPE B RIGHT ANGLE THRU HOLE DWG. NO. USB-B-S-X-X-TH-X-XX
F:\DWG\MISC\MKTG\USB-B-S-X-X-TH-X-MKT.SLDDRW		BY: B.HARPENAU 2/06/06 SHEET 1 OF 1