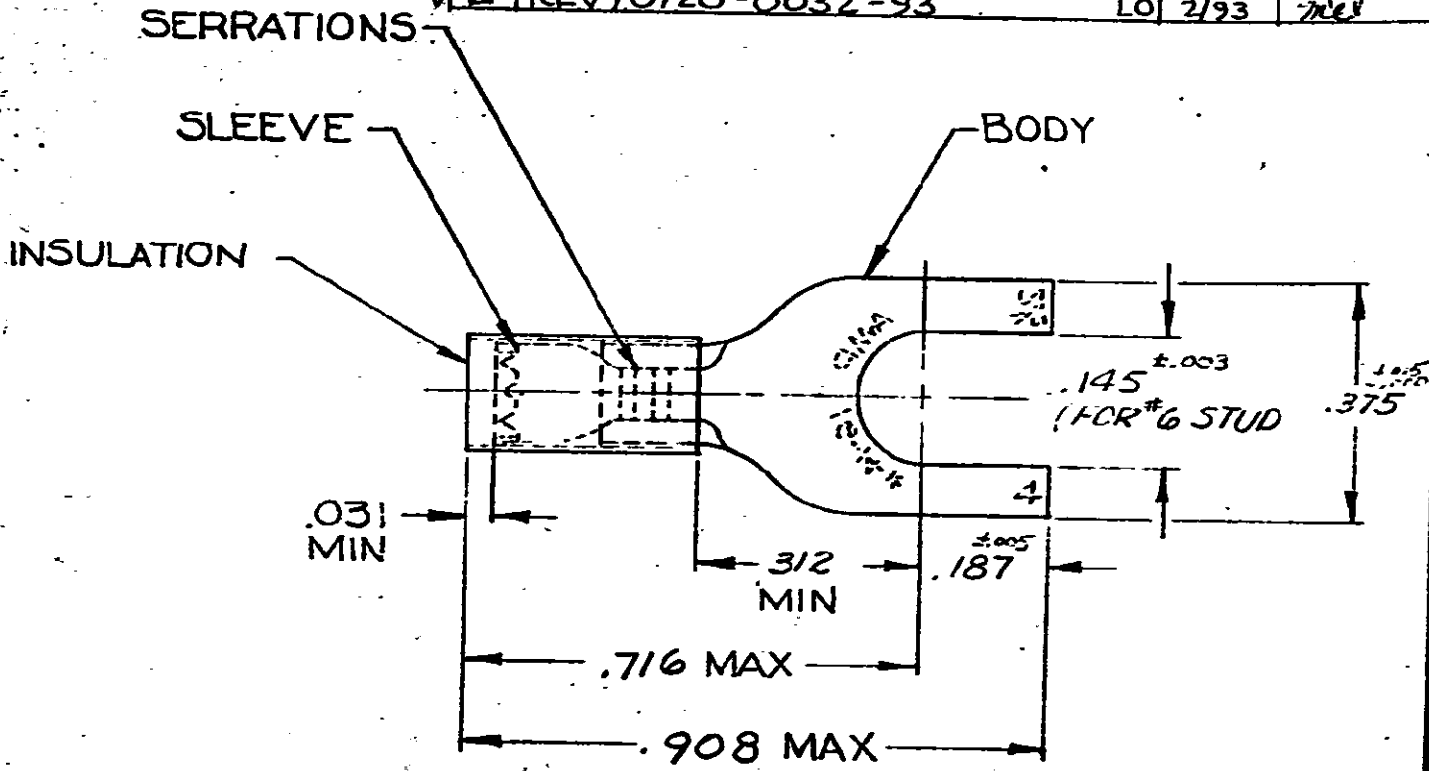


DRAWING MADE IN AMERICAN PROJECTION

LOC: G 14 PRINT/DIST: 10

© 1955 BY AMP INCORPORATED. ALL RIGHTS RESERVED. AMP PRODUCTS COVERED BY PATENTS AND/OR PATENTS PENDING.

REVISIONS			
LTR	DESCRIPTION	DATE	APPROVED
A	REDRAWN, REVISED (ADDED TAPE NO. 6079)	8-16-70	FCV
B	INACTIVATED 2--1 PER ECN R9260	11/9/82	FCV
C	OBS 2--1 REV: G2591	10-19-87	PMF
D	REV PER G-4732	7/22/88	PMF
E	REV 10720-0032-93	LO 2493	MEJ



TONGUE MATERIAL THK = .031^{±.002}
FOR .115 TO .170 WIRE INSULATION DIA

100	LOOSE PC, BOX	8-32058-1
1	32058	OBSOLETE
1	ON TAPE	2-32058-1
1	WIRE TERMINAL	32058
QTY	DESCRIPTION	PART NO

BODY: COPPER (QQ-C-576)
TIN PL (MIL-T-10727)
SLEEVE: COPPER (QQ-C-576)
INSULATION: NYLON COLOR: BLUE
MATERIAL & FINISH

UNLESS OTHERWISE SPECIFIED DIMENSIONS ARE IN INCHES
TOLERANCES ON:
DECIMALS ±.008
ANGLES ± 5°
MATERIAL
SEE TABLE

CONTRACT NO.	1
DR.	<i>J. E. Conroy</i> 3-12-70
CHK.	<i>J. E. Conroy</i> 3-16-70
APPD.	<i>J. E. Conroy</i> 3-16-70
REL.	<i>J. E. Conroy</i> 3-17-70
DESIGN/APPD.	
OTHER APPD.	



AMP INCORPORATED
HARRISBURG, PENNSYLVANIA

NAME: WIRE TERMINAL P.I.D.G. - SPADE WIRE SIZE: 16-14		
SIZE: A	CODE IDENT NO.: 00779	NUMBER: 32058
SCALE: NTS		