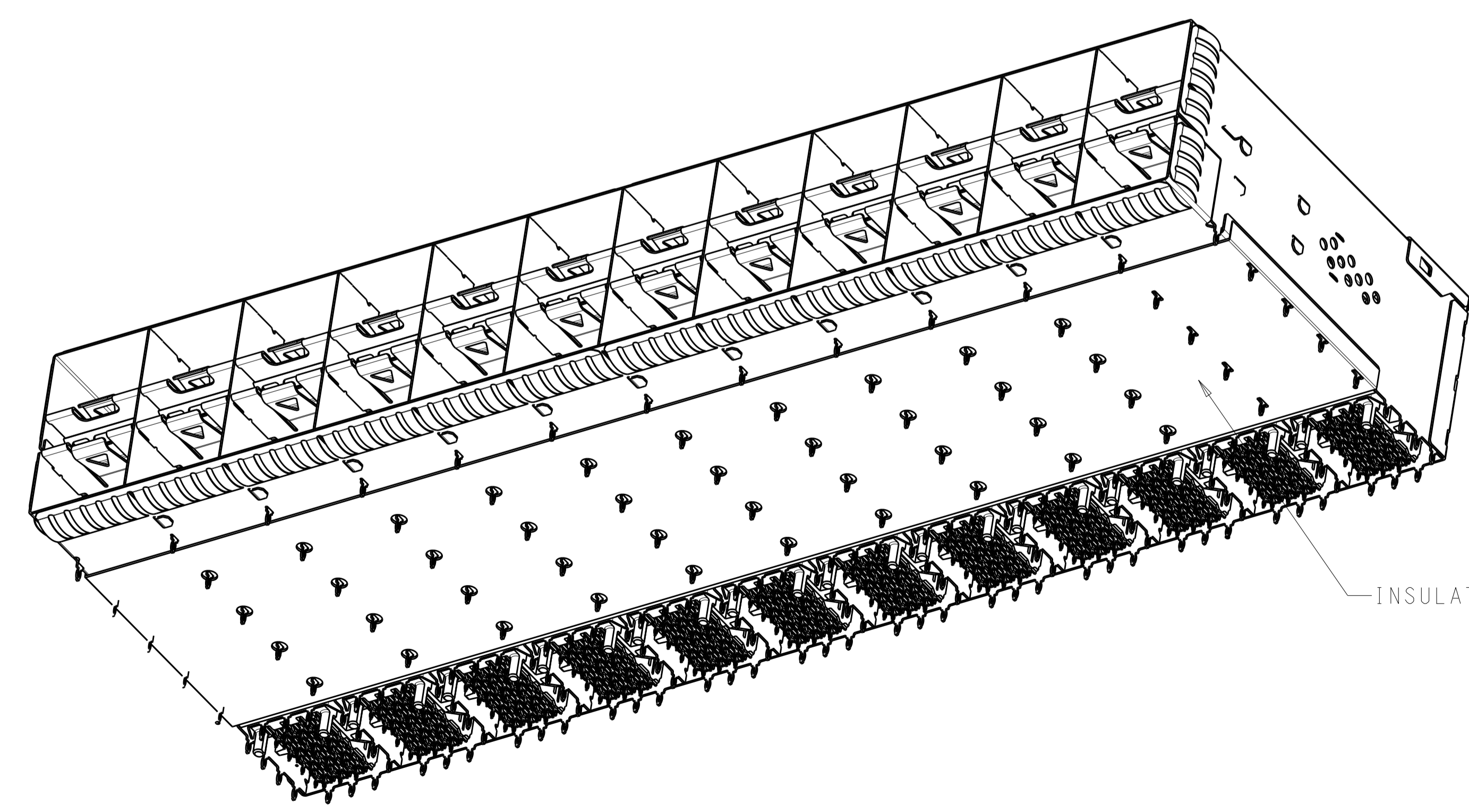
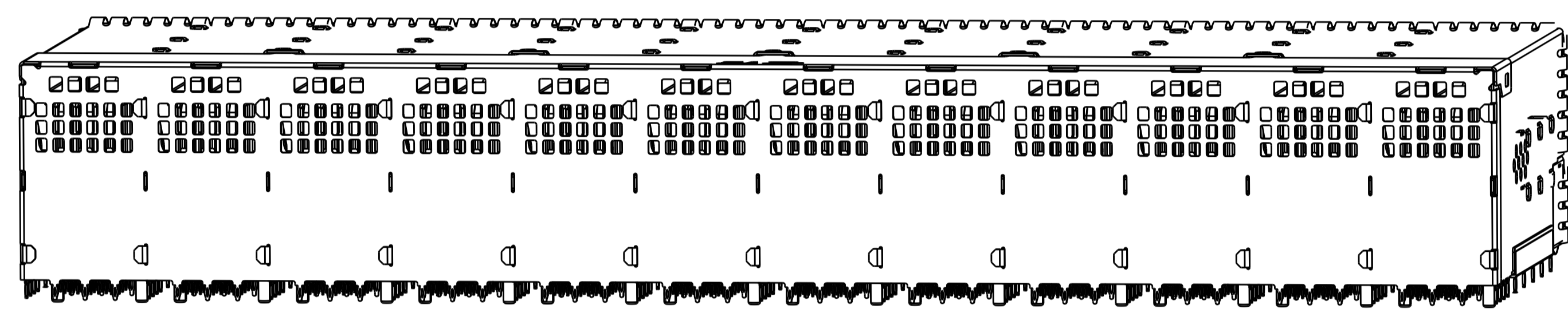
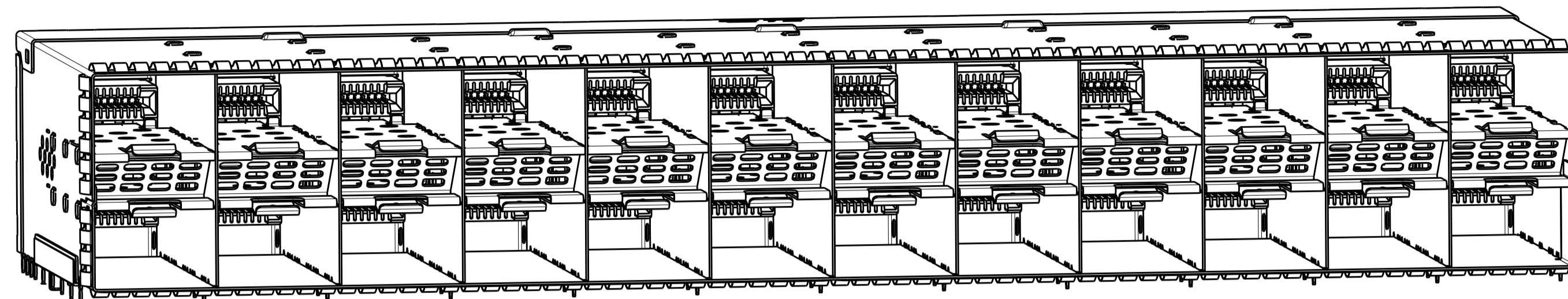


REVISIONS				
P.	LTN	DESCRIPTION	DATE	OWN APVD
A		MASS PRODUCTION	20FEB2017	PP SH

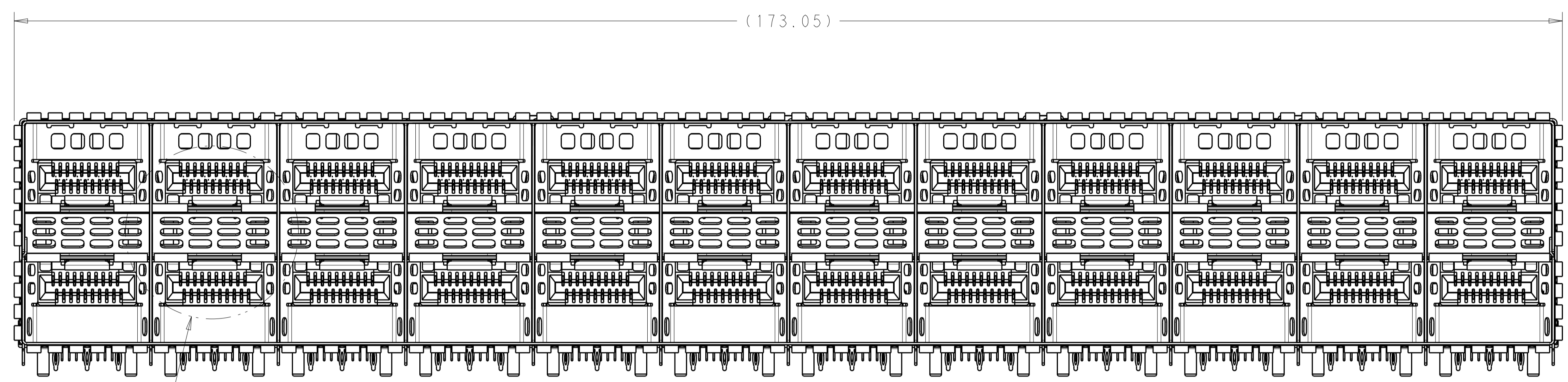


- MATERIALS:**
 CAGE ASSEMBLY - NICKEL-SILVER ALLOY PER ASTM B 122
 RECEPTACLE HOUSING - LCP, BLACK, UL 94V-0 RATED
 RECEPTACLE HOUSING SHIELD - COPPER ALLOY
 CHICKLET - LCP, BLACK, UL 94V-0 RATED
 CHICKLET ALIGNMENT CLIP - PBT
 CONTACT - COPPER ALLOY
 EMI SPRINGS - PHOSPHOR BRONZE PER ASTM B103
 INSULATOR TAPE:KAPTON
- CONTACT FINISH:**
 0.76µm MIN GOLD PER ASTM B 844 AT MATING INTERFACE,
 1.25µm MIN MATTE TIN PER ASTM B 545 AT PCB INTERFACE,
 ALL OVER 2.54µm MIN NICKEL PER QQ-N-290
- PCB MINIMUM THICKNESS = 1.5mm
- △ FOR HOLE SIZE AND PLATINGS,
 SEE APPLICATION SPECIFICATION 114-13319
- △ LIGHT PIPE PAD LAYOUT IS FOR 0805 LOW PROFILE
 LED PACKAGE WITH A HEIGHT OF 0.8mm
- △ THE ENTIRE AREA OF THE CONNECTOR FOOTPRINT, INDICATED BY THE
 DASHED LINE, TO BE CONSIDERED THE KEEPOUT AREA FOR COMPONENTS
 AND SIGNAL TRACES, TOP SIDE ONLY, TOP SIDE TRACES ALLOWED
 WITHIN CONNECTOR HOLE PATTERN
- △ DIMENSION APPLIES FROM EMI SPRINGS ONLY.

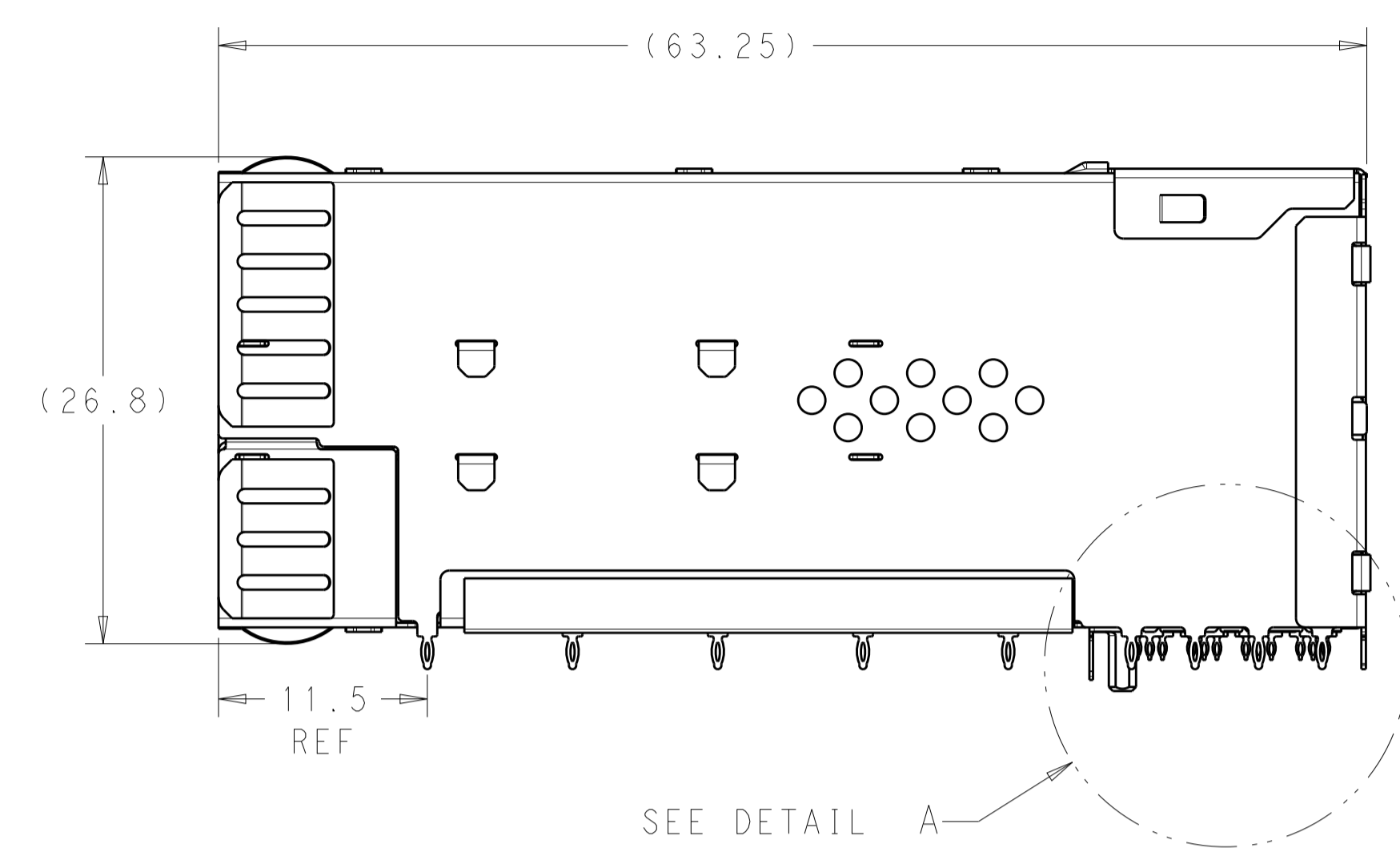
EMI SPRINGS	W/O INSULATOR	2301210-2
EMI SPRINGS	W/ INSULATOR	2301210-1
CAGE TYPE	INSULATOR OPTION	PART NUMBER

THIS DRAWING IS A CONTROLLED DOCUMENT. DIMENSIONING AND TOLERANCING PER ASME Y14.5M-2009		OWN: PETER PAN 02MAR2016 CHK: SEAN HAN 02MAR2016 APVD: SEAN HAN 02MAR2016	TE Connectivity NAME: RECEPTACLE ASSEMBLY, 2X12, STACKED, zSFP+ THERMALLY ENHANCED SIZE: CAGE CODE DRAWING NO: A100779C=2301210 RESTRICTED TO:
DIMENSIONS: mm	TOLERANCES UNLESS OTHERWISE SPECIFIED:	PRODUCT SPEC: 108-2481 APPLICATION SPEC: 114-13319 WEIGHT: -	
0 PLC ±0.10 1 PLC ±0.10 2 PLC ±0.10 3 PLC ±0.10 4 PLC ±0.10 ANGLES ±°	FINISH: -	CUSTOMER DRAWING	SCALE: 2:1 SHEET 1 OF 4 REV A

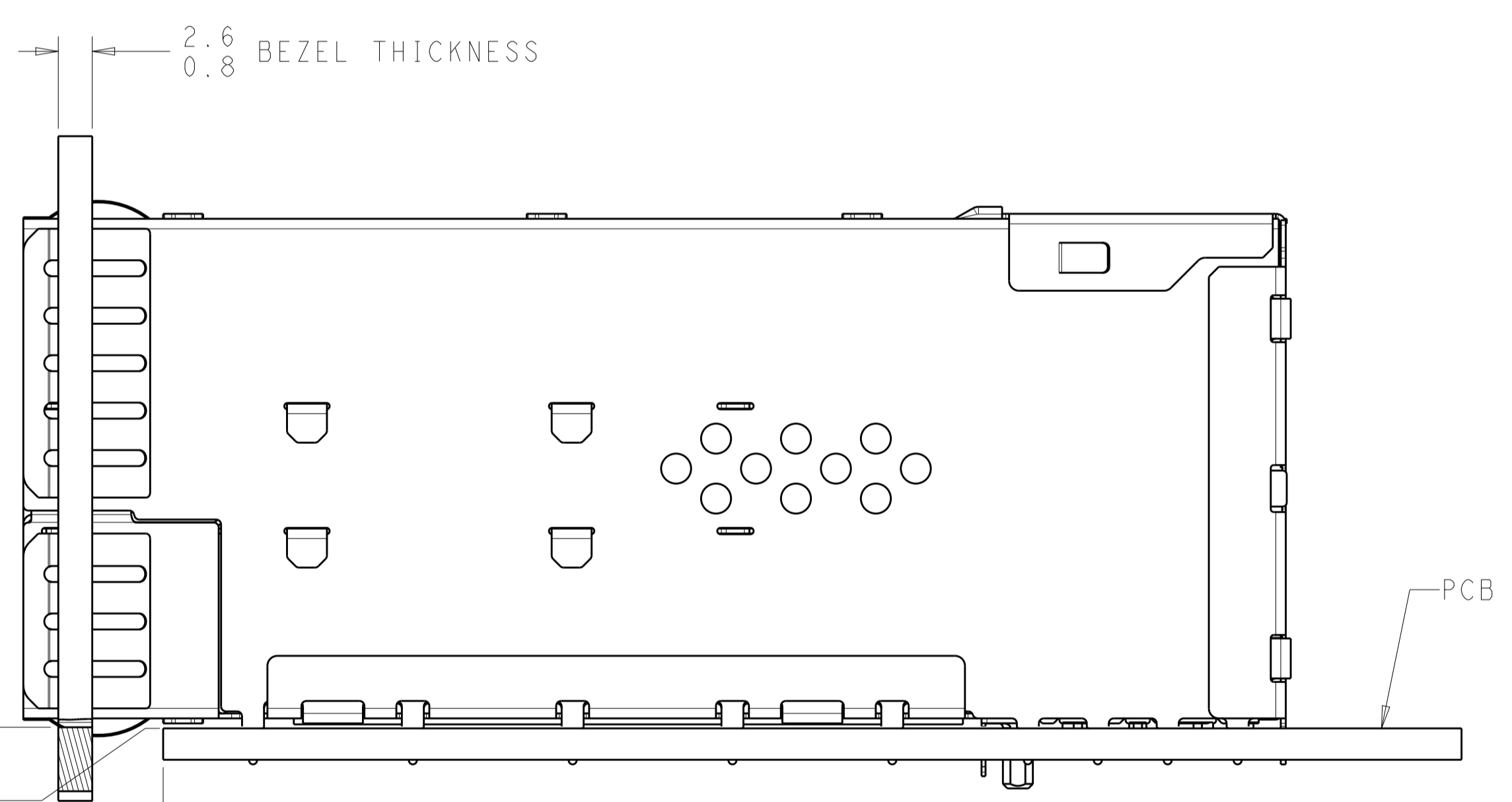
REVISIONS				
P.	LTN	DESCRIPTION	DATE	OWN APVD
-	-	SEE SHEET 1	-	-



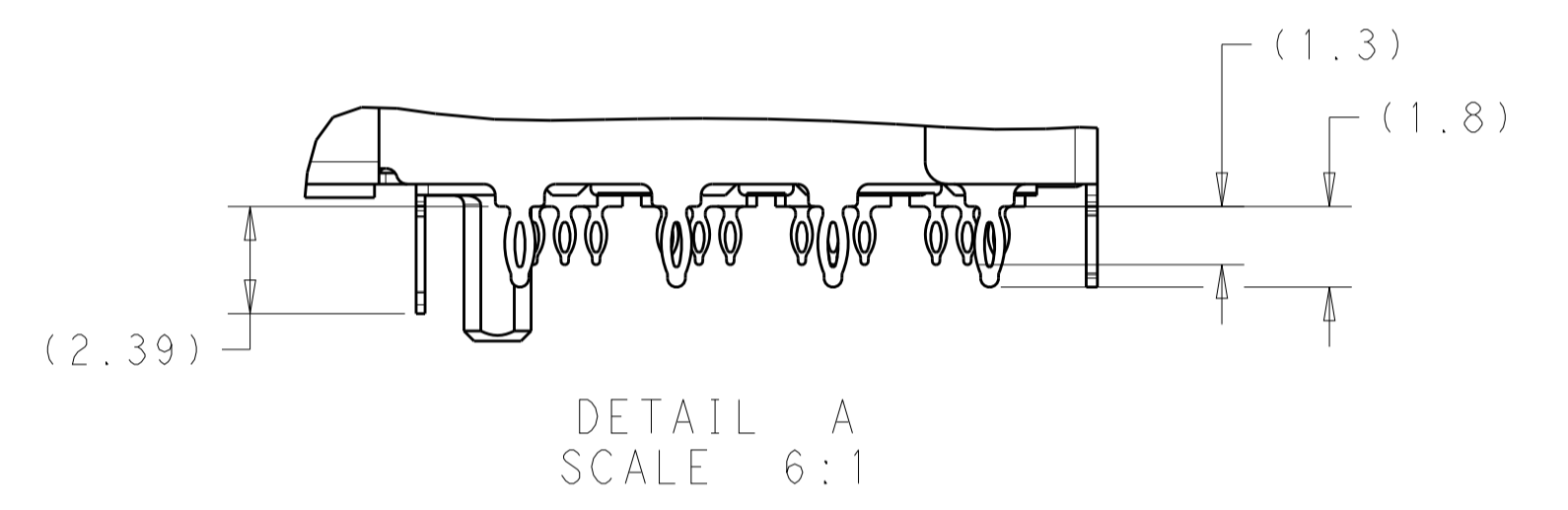
SEE DETAIL B



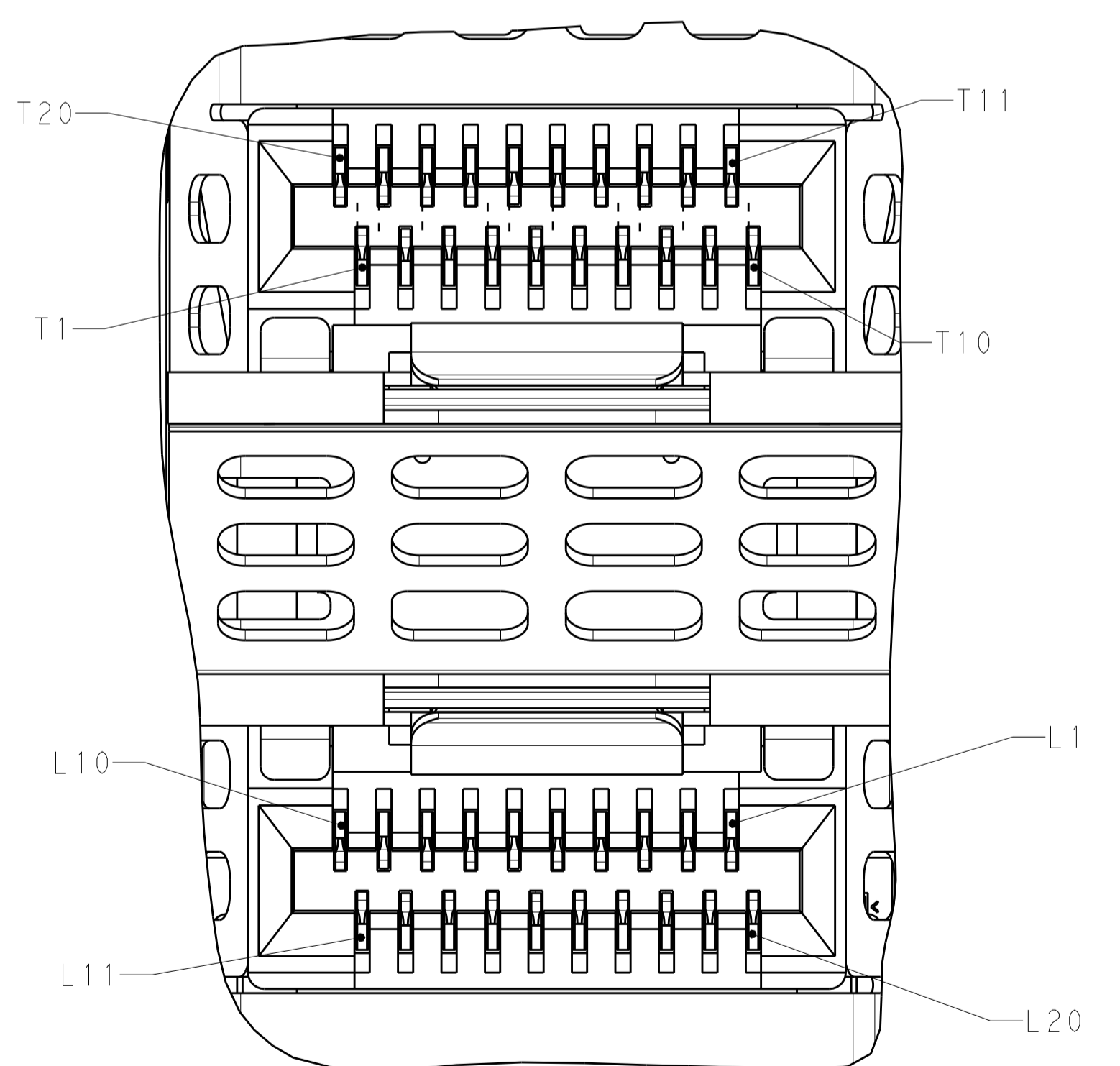
SEE DETAIL A



RECOMMENDED BEZEL LOCATION WITH EMI SPRINGS
 SCALE 4:1



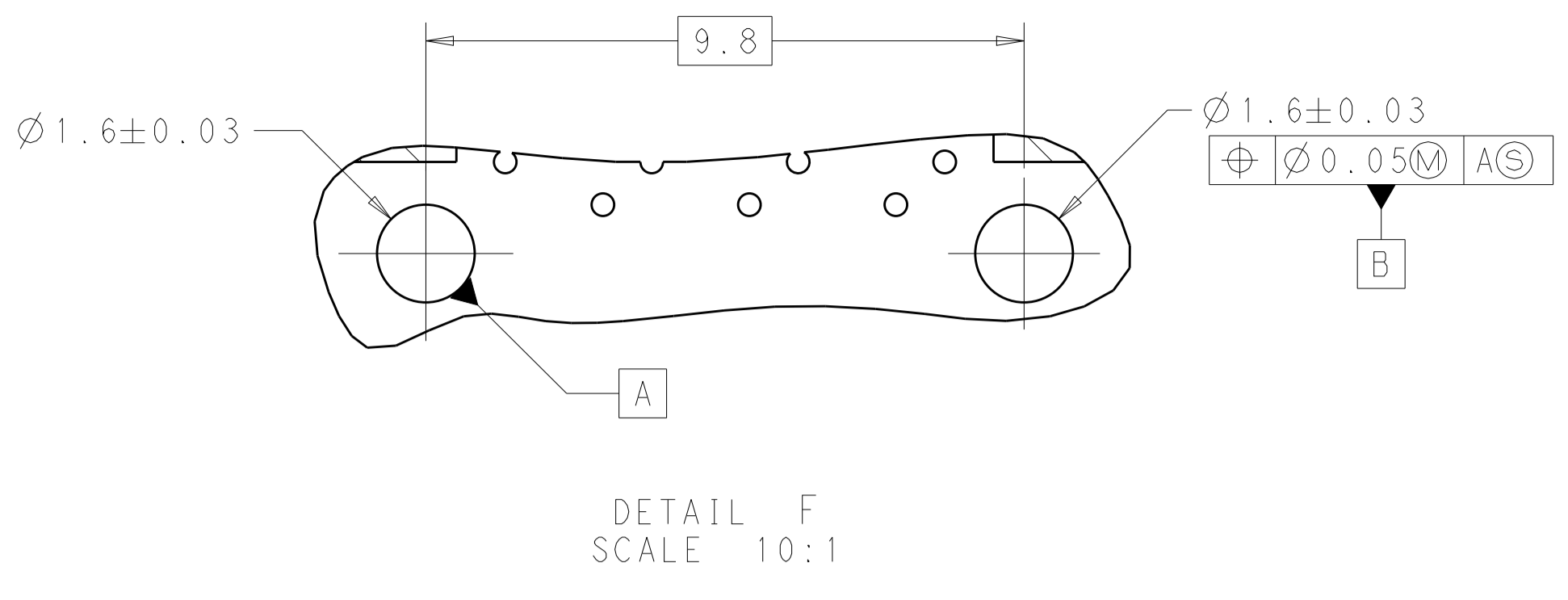
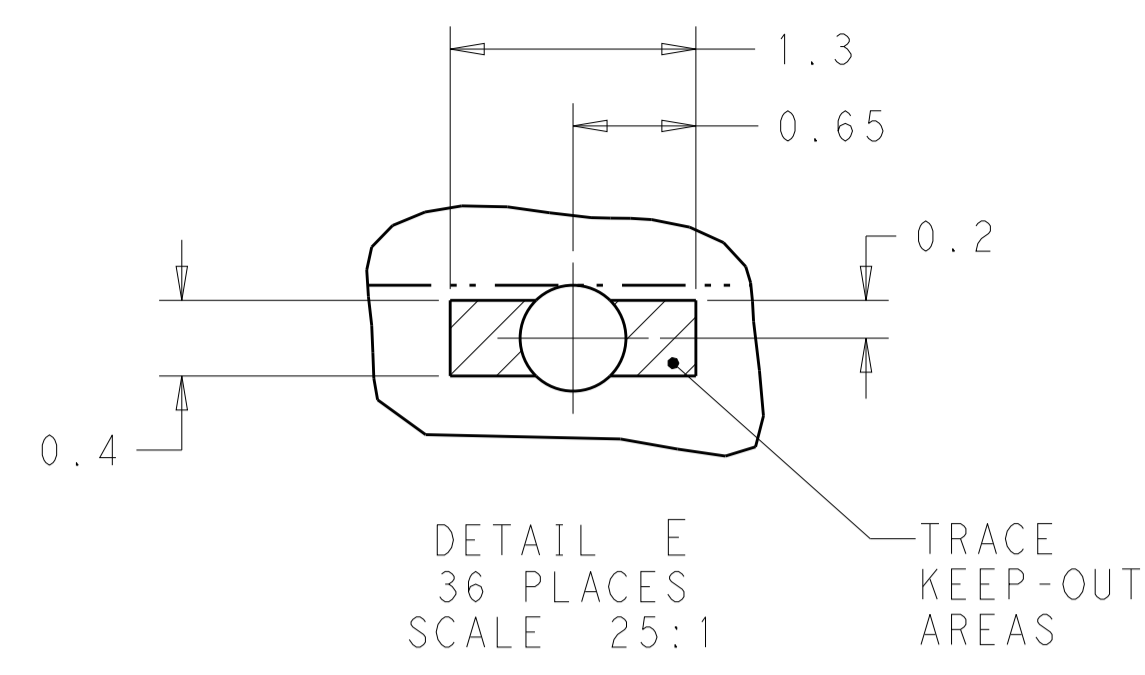
DETAIL A
 SCALE 6:1



DETAIL B
 SCALE 10:1

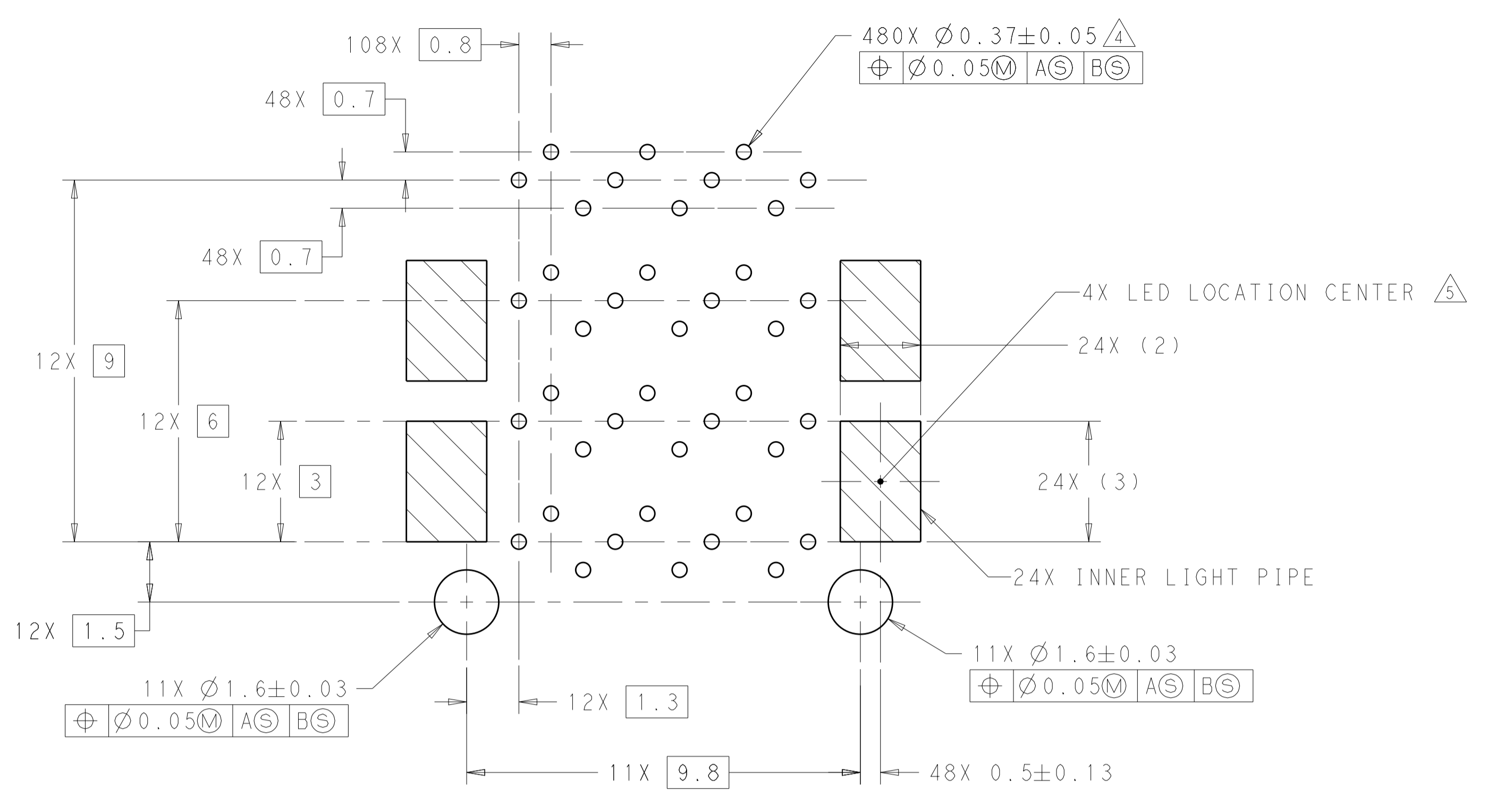
THIS DRAWING IS A CONTROLLED DOCUMENT.		OWN: PETER PAN 02MAR2016	TE Connectivity
DIMENSIONS: mm		CHK: SEAN HAN 02MAR2016	
TOLERANCES UNLESS OTHERWISE SPECIFIED:		APVD: SEAN HAN 02MAR2016	NAME: RECEPTACLE ASSEMBLY, 2X12 STACKED, zSFP+ THERMALLY ENHANCED SIZE: CAGE CODE DRAWING NO: A100779C-2301210 RESTRICTED TO:
0 PLC ±0.10 1 PLC ±0.10 2 PLC ±0.10 3 PLC ±0.10 4 PLC ±0.10 ANGLES ±°		PRODUCT SPEC: 108-2481 APPLICATION SPEC: 114-13319 WEIGHT:	
MATERIAL: SEE NOTES		FINISH: SEE NOTES	CUSTOMER DRAWING SCALE: 2:1 SHEET 2 OF 4 REV A

REVISIONS				
P.	LTN	DESCRIPTION	DATE	APP'D
-	-	SEE SHEET 1	-	-

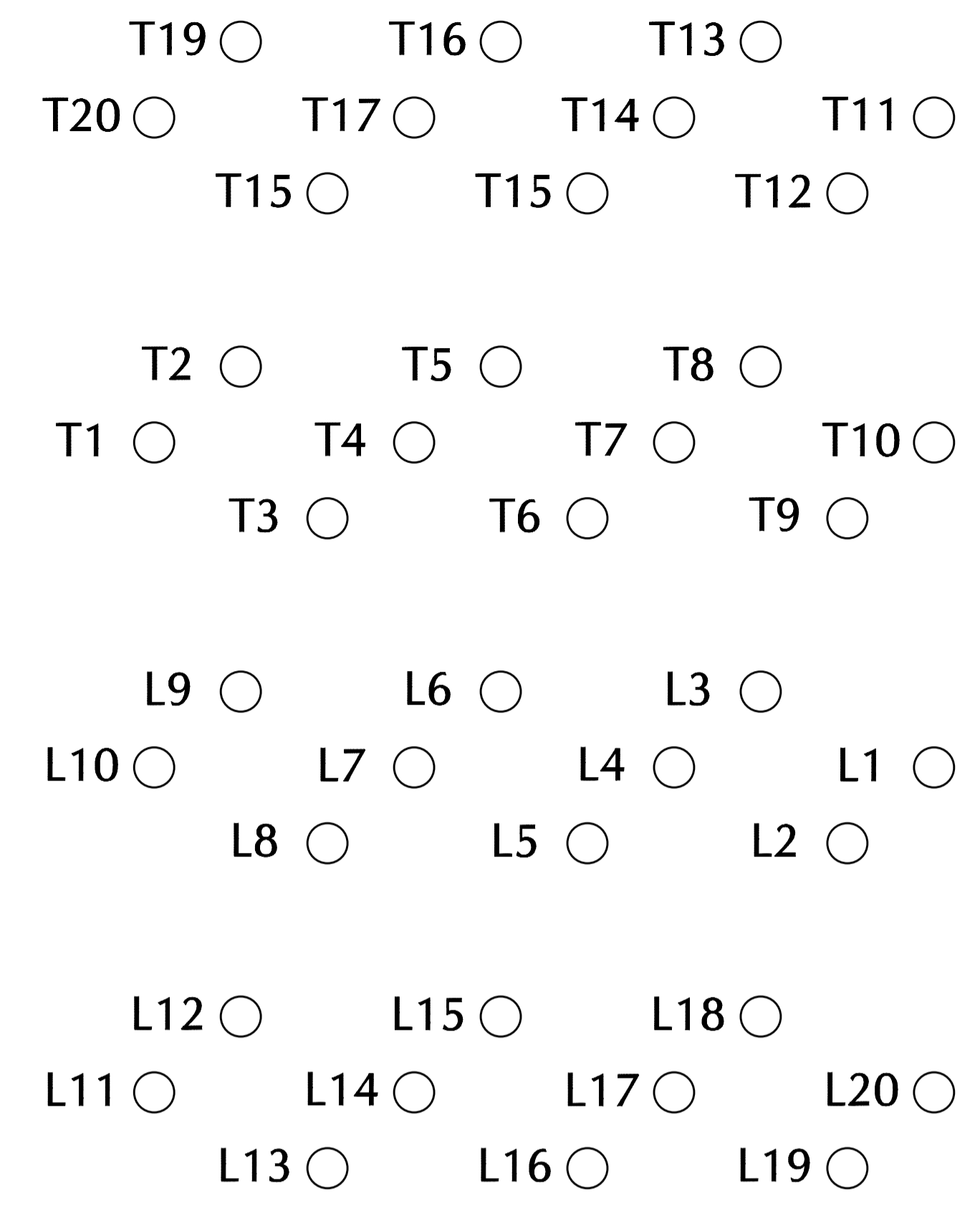


THIS DRAWING IS A CONTROLLED DOCUMENT. DIMENSIONING AND TOLERANCING PER ASME Y14.5M-2009.		OWN: PETER PAN 02MAR2016 CHK: SEAN HAN 02MAR2016 APP'D: SEAN HAN 02MAR2016	TE Connectivity NAME: RECEPTACLE ASSEMBLY, 2X12, STACKED, zSFP+ THERMALLY ENHANCED SIZE: 114-13319 CAGE CODE: 108-2481 DRAWING NO: 2301210
DIMENSIONS: mm	TOLERANCES UNLESS OTHERWISE SPECIFIED:	PRODUCT SPEC: 108-2481 APPLICATION SPEC: 114-13319	
0 PLC ±0.10 1 PLC ±0.10 2 PLC ±0.10 3 PLC ±0.10 4 PLC ±0.10 ANGLES ±°	FINISH: - WEIGHT: - CUSTOMER DRAWING	RESTRICTED TO: -	SCALE: 2:1 SHEET 3 OF 4 REV A

REVISIONS				
P.	LTN.	DESCRIPTION	DATE	APP'D.
-	-	SEE SHEET 1	-	-

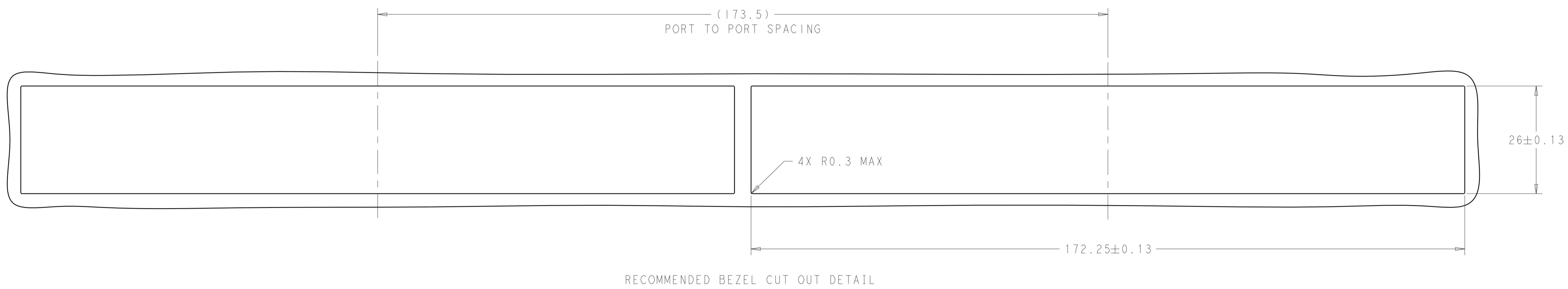


DETAIL C
 RECOMMENDED PIN AND LIGHT PIPE LAYOUT
 SCALE 10:1



PIN MAP LEGEND	
PIN NUMBER	FUNCTION
L1/T1	VEET
L2/T2	TX-FAULT
L3/T3	TX-DISABLE
L4/T4	SDA
L5/T5	SCL
L6/T6	MOD_ABS
L7/T7	RS0
L8/T8	RX_LOS
L9/T9	RS1
L10/T10	VEER
L11/T11	VEER
L12/T12	RD-
L13/T13	RD+
L14/T14	VEER
L15/T15	VCCR
L16/T16	VCCT
L17/T17	VEET
L18/T18	TD+
L19/T19	TD-
L20/T20	VEET

DETAIL D
 PIN MAP
 12 PLACES
 SCALE 20:1



RECOMMENDED BEZEL CUT OUT DETAIL

THIS DRAWING IS A CONTROLLED DOCUMENT. DIMENSIONING AND TOLERANCING PER ASME Y14.5M-2009.		DWN: PETER PAN 02MAR2016 CHK: SEAN HAN 02MAR2016 APP'D: SEAN HAN 02MAR2016	TE Connectivity
DIMENSIONS: mm 	TOLERANCES UNLESS OTHERWISE SPECIFIED: 0 PLC ±0.10 1 PLC ±0.10 2 PLC ±0.10 3 PLC ±0.10 4 PLC ±0.10 ANGLES ±°	NAME: RECEPTACLE ASSEMBLY, 2X12, STACKED, zSFP+ THERMALLY ENHANCED PRODUCT SPEC: 108-2481 APPLICATION SPEC: 114-13319 WEIGHT: - CUSTOMER DRAWING	