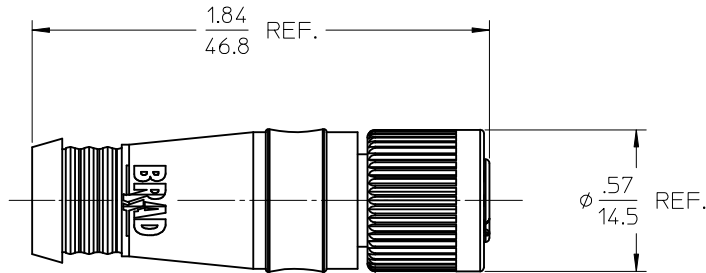
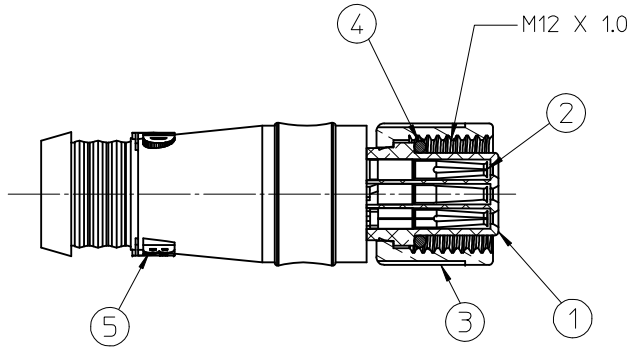
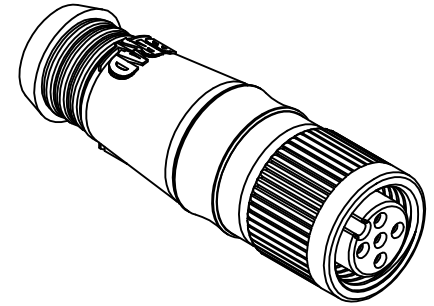


10	9	8	7
MATERIAL NO.	ENGINEERING NO.	DESCRIPTION	
1300390385	DND150	FEMALE STANDARD TERMINATOR WITH RESISTOR	
1300390386	DND151	FEMALE TERMINATOR WITH JUMPERS	

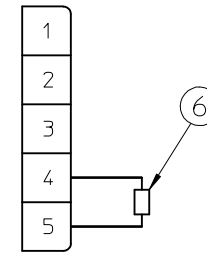
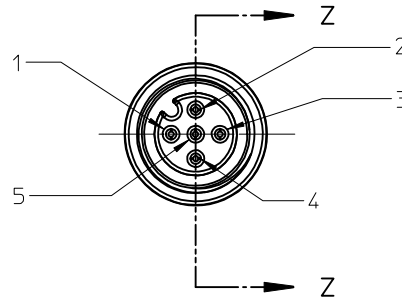


NOTES:

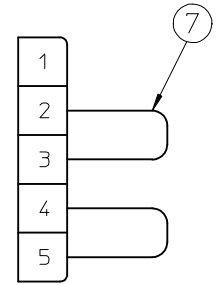
1. MATERIAL: SEE TABLE
2. FINISHES: SEE TABLE
3. MATES WITH: MALE MICRO-CHANGE 5 POLE RECEPTACLE
4. ELECTRICAL SPECIFICATIONS:
VOLTAGE RATING: 30V
CURRENT RATING: 4.0 AMPS
5. ASSEMBLY IS RoHS COMPLIANT



Section Z-Z



WIRING DIAGRAM
(1300390385)



WIRING DIAGRAM
(1300390386)

7	2	JUMPER WIRE, 22 AWG	PVC INSULATION	
6	1	RESISTOR, 121 OHM, 1/4 WATT, ±1%	CARBON OR METAL FILM	
5	1	OVERMOLD	GRAY	PVC
4	1	O-RING	NITRILE	RED
3	1	COUPLING NUT, FEMALE THREAD	ZINC	BLACK
2	5	CONTACT SOCKET	Cu ALLOY	GOLD
1	1	INSERT, 5 POLE	NYLON	BLACK
ITEM	QTY.	DESCRIPTION	MATERIAL	FINISH

RELEASED
EC NO: WNA2010-0141
DRAWN BY: DRWINRSTONE 2009/08/28
CHKD BY: B.WOODMAN 2009/08/28
APPR: JFMURPHY 2009/08/31

QUALITY SYMBOLS
▽=0
▽=0

GENERAL TOLERANCES (UNLESS SPECIFIED)	
	mm INCH
4 PLACES	±.005 ±.0005
3 PLACES	±.003 ±.0003
2 PLACES	±.002 ±.0002
1 PLACE	±.001 ±.0001
ANGULAR ±1/2°	
DRAFT WHERE APPLICABLE MUST REMAIN WITHIN DIMENSIONS	

DIMENSION STYLE	
IN/MM	
DRAWN BY	DATE
R.STONE	2009/08/27
CHECKED BY	DATE
B.WOODMAN	2009/08/28
APPROVED BY	DATE
JFMURPHY	2009/08/28
MATERIAL NO.	
SEE CHART	

SCALE	DESIGN UNITS	THIRD ANGLE PROJECTION
2:1	INCH	☉
TITLE		
MICRO-CHANGE TERMINATOR FEMALE, 5 POLE DEVICE NET		
MOLEX INCORPORATED		
DOCUMENT NO.	SHEET NO.	
SD-130039-012	1 OF 1	