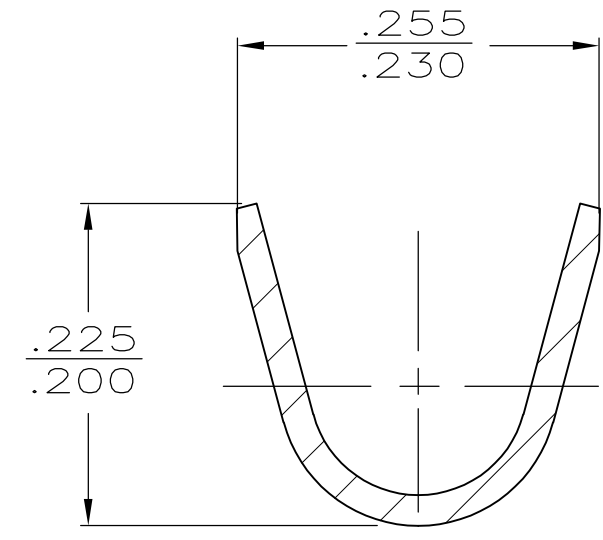
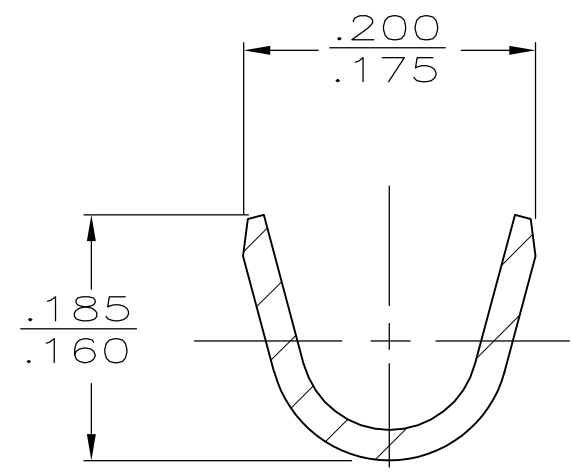
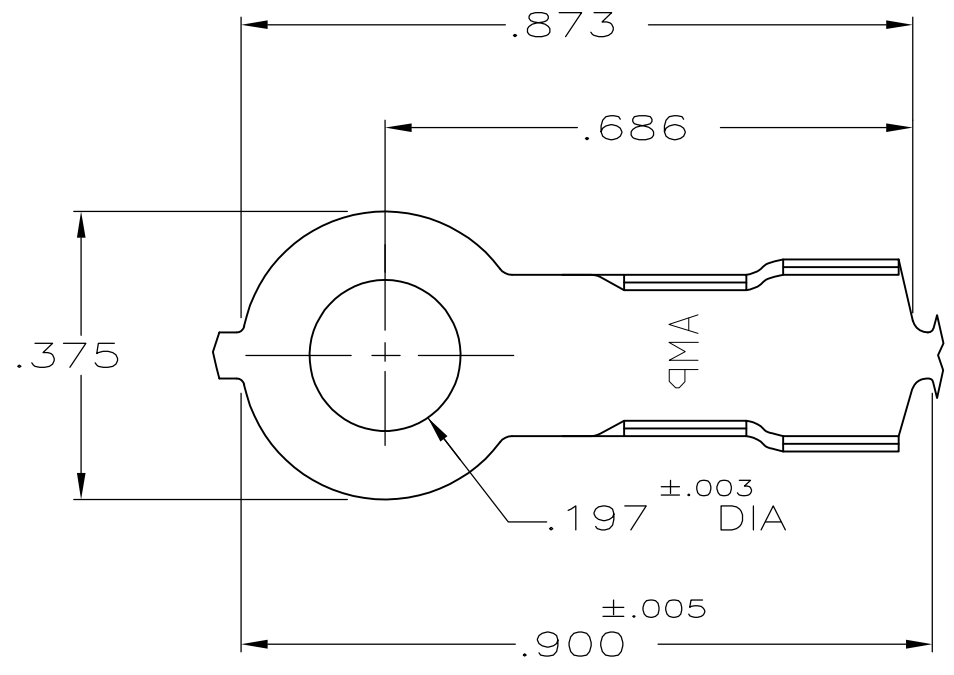


THIS DRAWING IS UNPUBLISHED. RELEASED FOR PUBLICATION
 © COPYRIGHT BY TYCO ELECTRONICS CORPORATION. ALL RIGHTS RESERVED.

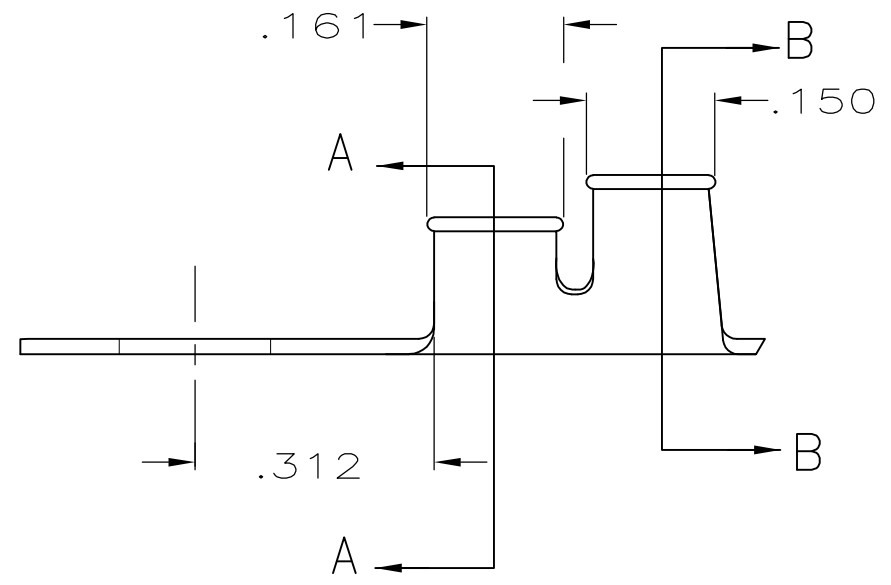
LOC	DIST	REVISIONS					
AF	50	P	LTR	DESCRIPTION	DATE	DWN	APVD
		G1		REVISED PER ECR-07-012322	30MAY07	HMR	DD

1 CONTINUOUS STRIP ON REELS.



SECTION A-A

SECTION B-B



.120-.180	16-14 OR (2) #16	41294
INSULATION SIZE	WIRE SIZE	PART NO

THIS DRAWING IS A CONTROLLED DOCUMENT.		DWN JR RUTH 10/24/86	Tyco Electronics Corporation Harrisburg, Pa 17105-3608	
DIMENSIONS: INCHES		CHK MS FEHER 10/30/86		
TOLERANCES UNLESS OTHERWISE SPECIFIED:		APVD RP FRANTZ 11/3/86	NAME	
0 PLC ± - 1 PLC ± - 2 PLC ± - 3 PLC ± .015 4 PLC ± - ANGLES ± -		PRODUCT SPEC -	RING	
MATERIAL .020 BRASS		FINISH -	APPLICATION SPEC -	RESTRICTED TO -
CUSTOMER DRAWING		WEIGHT -	SIZE A3	CAGE CODE 00779
		DRAWING NO C-41294		REV G1
		SCALE 4:1	SHEET 1	OF 1