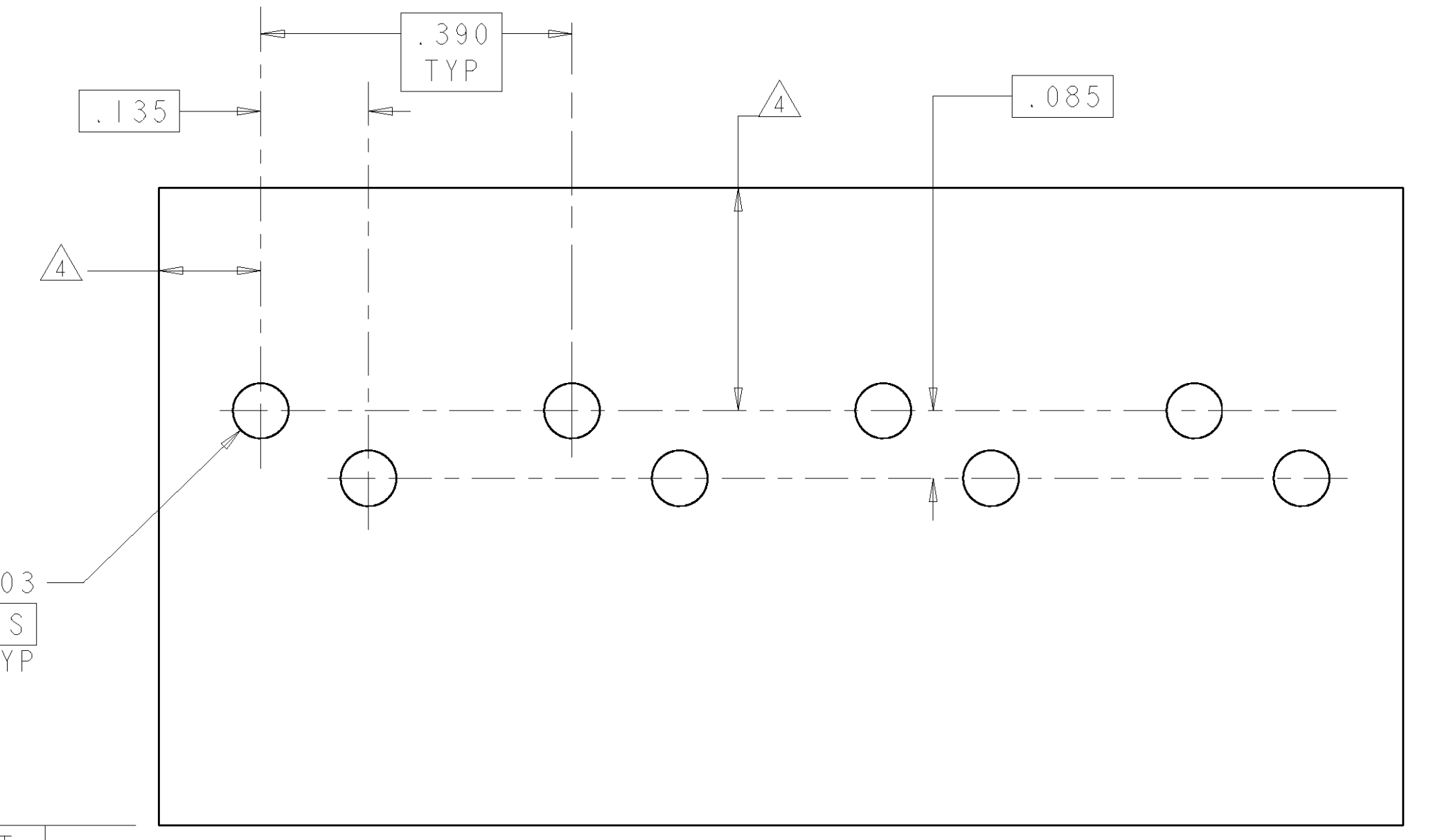
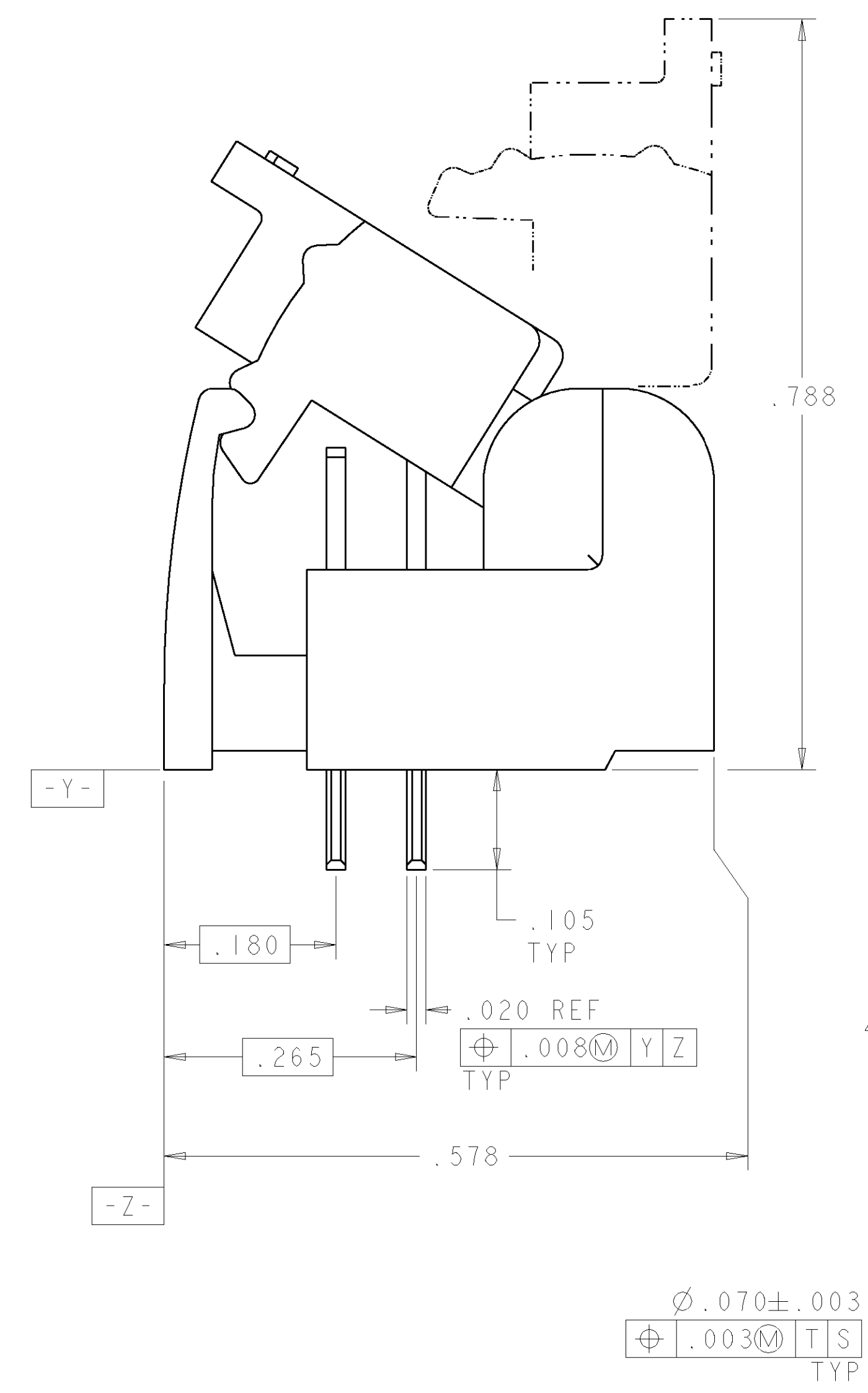
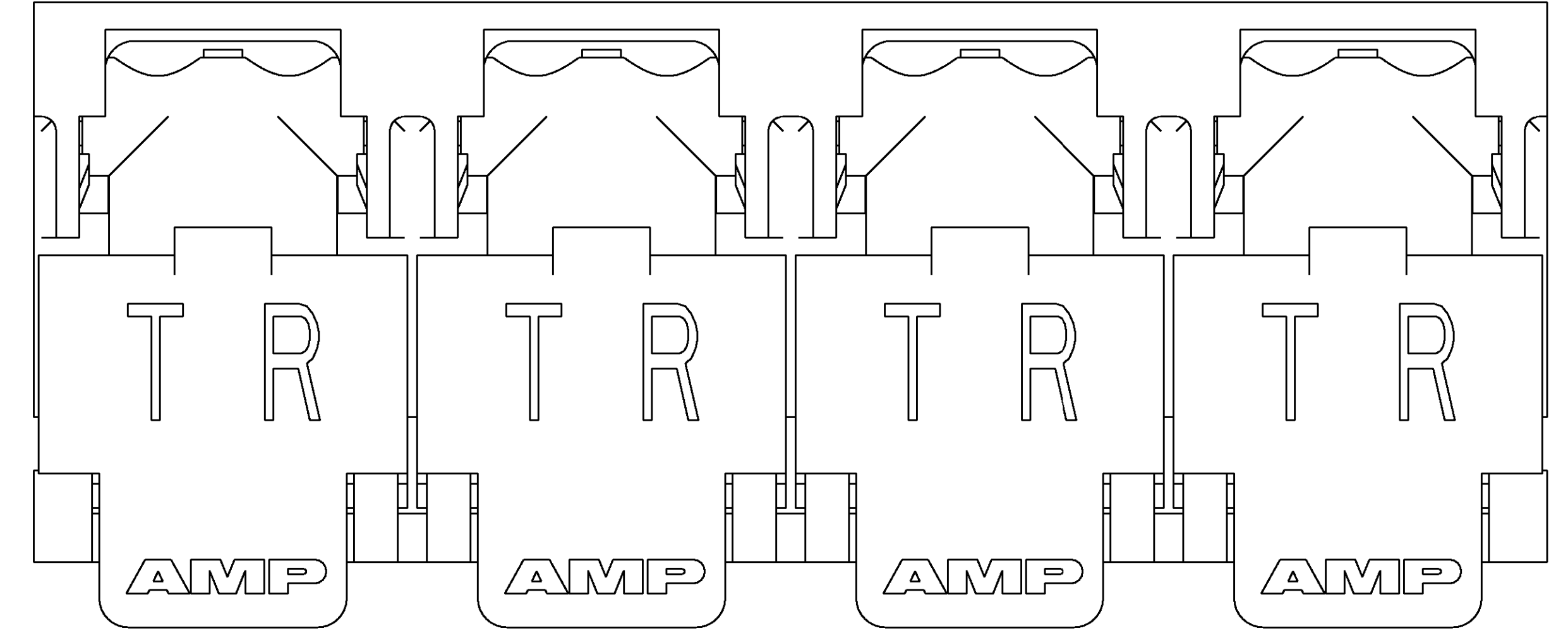
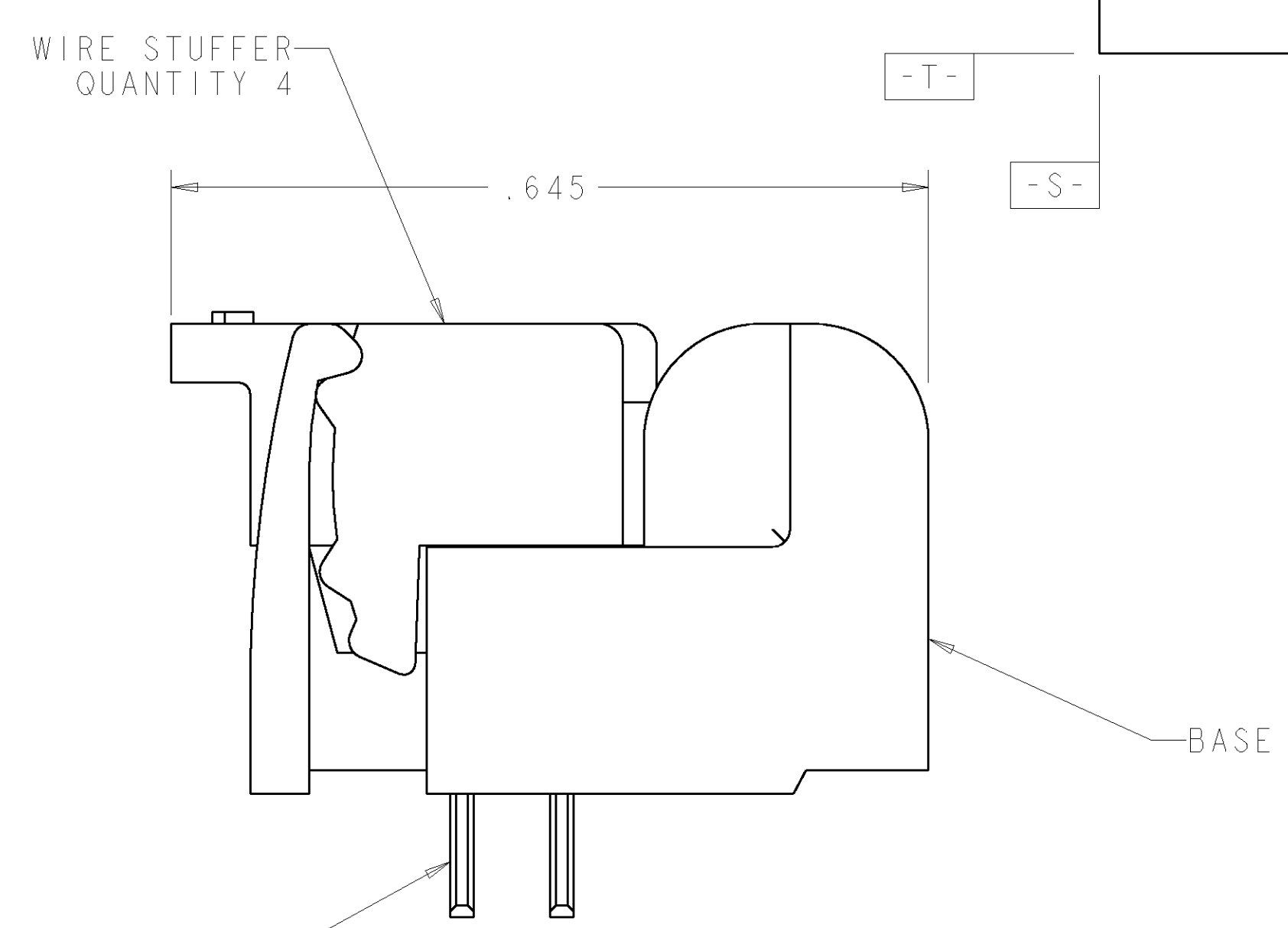
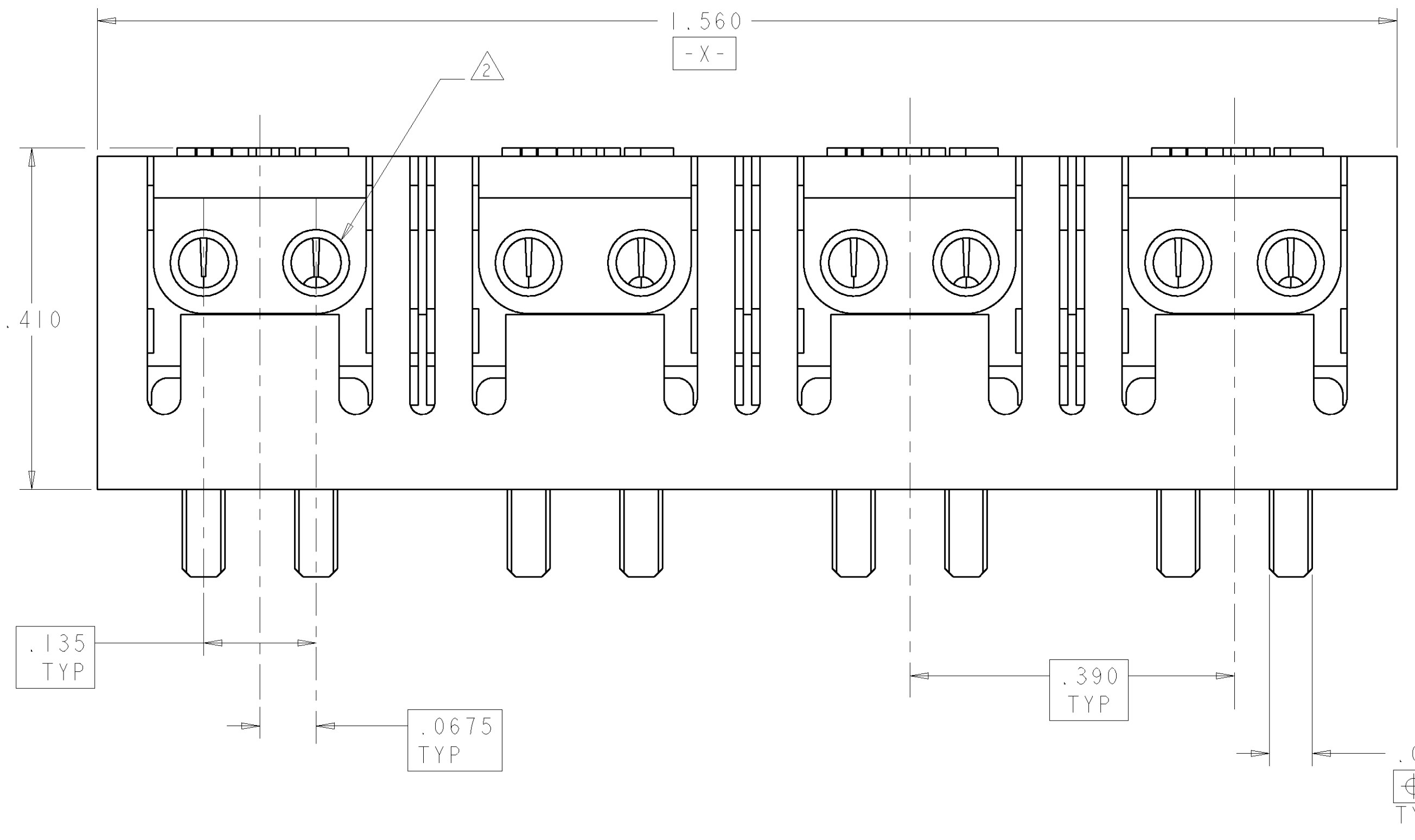


LOC	DIST	REVISIONS					
GP	00	F	LTR	DESCRIPTION	DATE	DWN	APVD
		E		REV: EC OUIIC-0007-01	22JAN2001	JA	TW
		F		ADDED: -2 PER EC 0S15-0413-02	25NOV2002	DLD	RPM
		G		REVISED PER EC 0S15-0450-02	21JAN2003	DLD	RPM
		H		REVISED PER 0S15-0324-03	03DEC2003	JB	CF

- 1. MATERIAL: BASE - HIGH TEMPERATURE MOLDING COMPOUND, BLACK.
 WIRE STUFFER: - HIGH TEMPERATURE MOLDING COMPOUND.
 TERMINAL - COPPER ALLOY, PLATED WITH 3.81µm MINIMUM THICK TIN OVER 1.27µm MINIMUM THICK NICKEL UNDERPLATE.
- 2. EACH WIRE ENTRY HOLE ACCEPTS ONE UNSTRIPPED SOLID COPPER 22-26 AWG WIRE WITH WIRE INSULATION DIAMETER RANGE FROM .060 THROUGH .040. OTHER WIRE SIZES AND TYPES SHALL BE SUBMITTED TO AMP ENGINEERS FOR APPLICATION APPROVAL.
- 3. SOLDER TABS PROVIDED FOR PERMANENT BOARD MOUNTING.
- 4. LOCATION OF HOLE PATTERN DETERMINED BASED ON CUSTOMER REQUIREMENTS.



SUGGESTED PRINTED CIRCUIT BOARD MOUNTING DIMENSIONS VIEWED FROM SOLDER SIDE



CLOSED POSITION

-	-	TAN	1339224-2
RED	GREEN	TAN	1339224-1
R	T	WIRE STUFFER	PART NUMBER
COLOR CODE			
DIMENSIONS: INCHES 0 PLC ± 1 PLC ±.01 2 PLC ±.01 3 PLC ±.005 4 PLC ± ANGLES ±		TOLERANCES UNLESS OTHERWISE SPECIFIED: FINISH -	
MATERIAL FINISH -		DWG: R. ZARBOCK 05OCT99 ENR: M. DERSTINE 05OCT99 APVD: M. DERSTINE 05OCT99 PRODUCT SPEC APPLICATION SPEC WEIGHT CUSTOMER DRAWING	
AMP Incorporated Harrisburg, PA 17105-3608		ASSEMBLY: FOUR PAIR, SINGLE ENTRY, PIVOT II CONNECTOR SIZE: A1 CAGE CODE: 00779 DRAWING NO: 1339224 SCALE: 8:1 SHEET 1 OF 1 REV H	