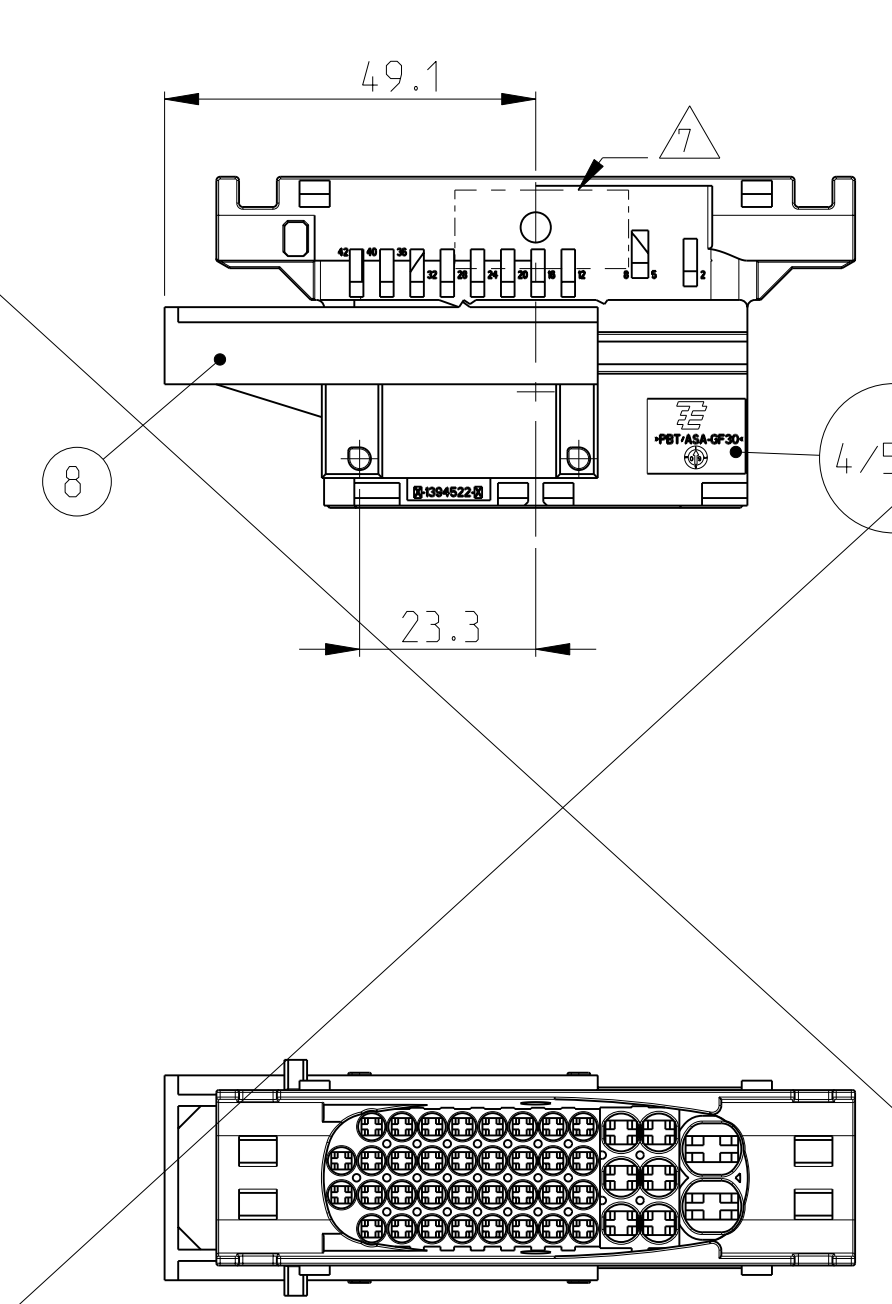
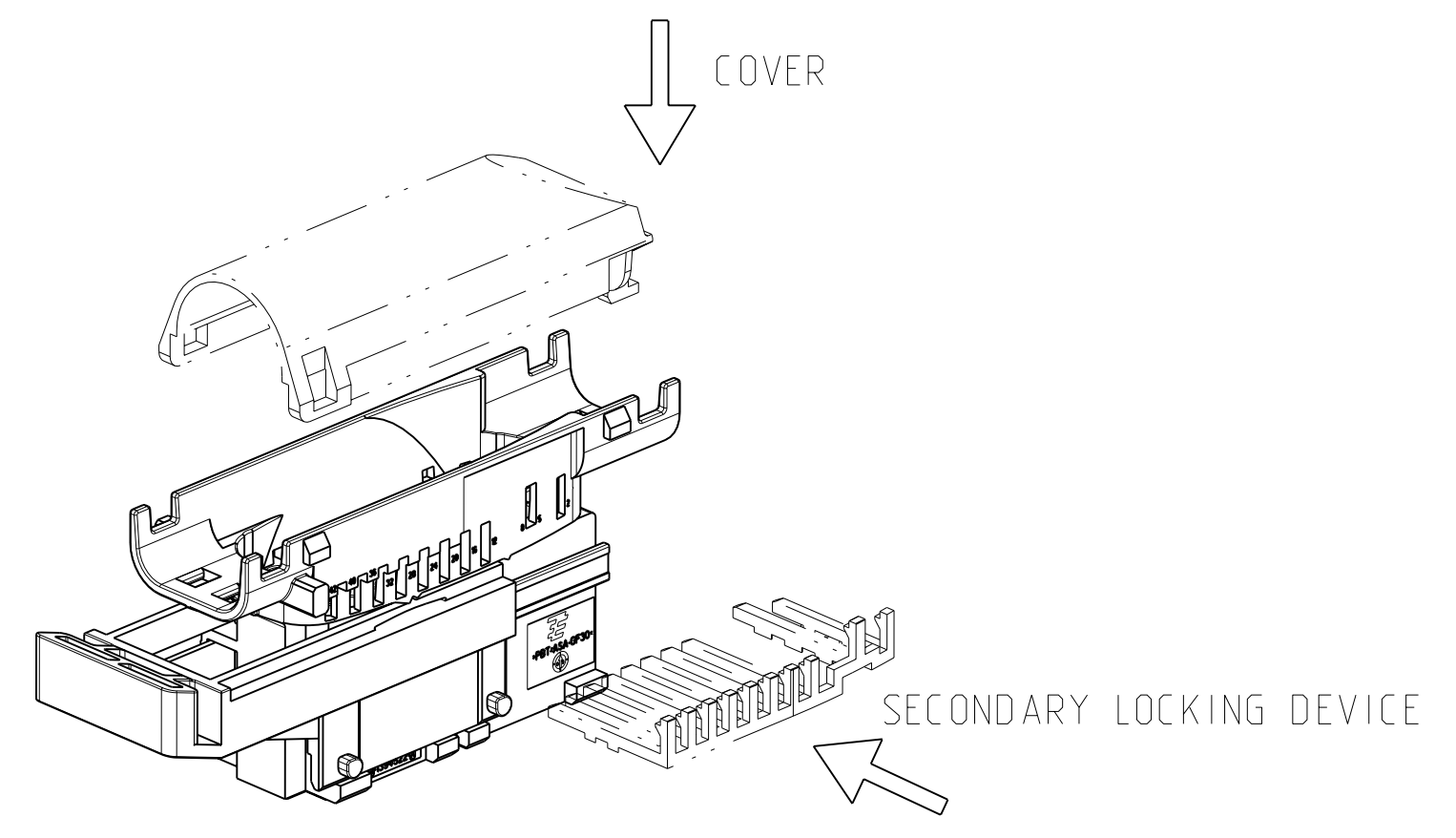
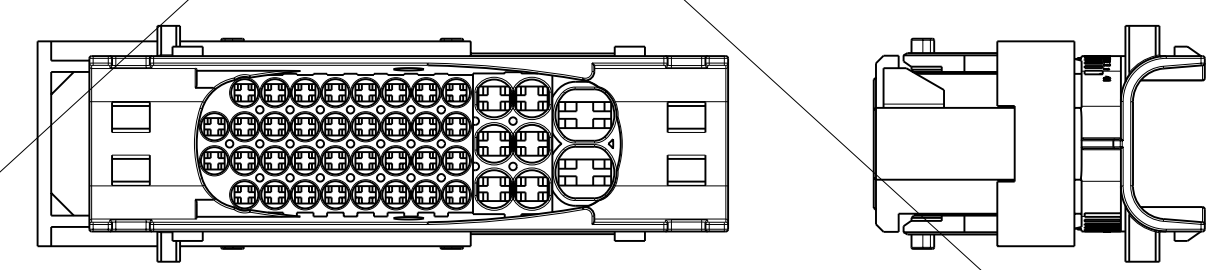


VARIANT 1
 Variante
 CONVENTIONAL SLIDE MOVING
 herkömmliche Schieberbewegung
 0-1394522-1/...-3

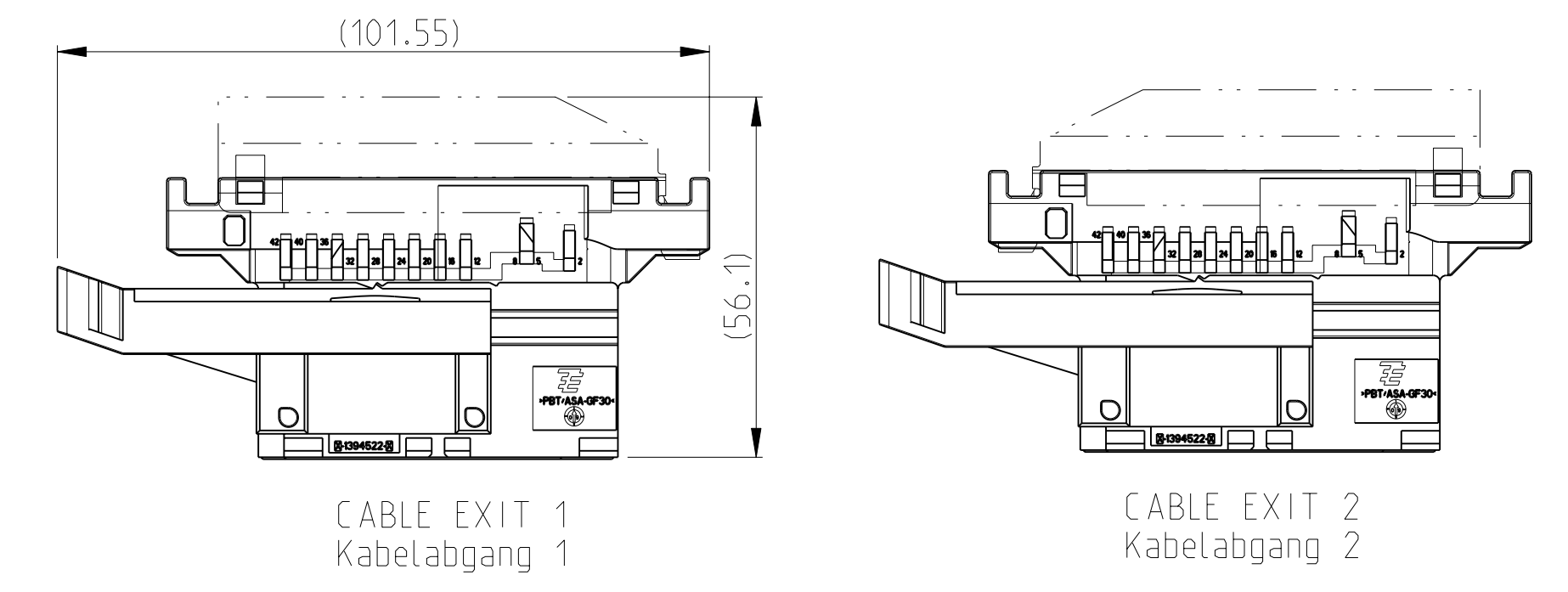


VARIANT 2
 Variante
 SLIDE OPERATION THROUGH ROTATION
 Schieberbetätigung durch Drehbewegung
 EGAUT99273-100-4/...-6



MOUNTING DIRECTION OF SECONDARY LOCKING DEVICE (SIMPLIFY VIEW)
 TE ORDER-NO.: 965662 (NOT A PART OF THE ASSY)
 AND OF COVER
 TE ORDER-NO.: EGAUT99273-104 (NOT A PART OF THE ASSY)
 Montagerichtung fuer zweite Kontaktsicherung (vereinfachte Darstellung)
 TE Bestell-Nr.: 965662 (kein Teil der Baugruppe)
 und für Abdeckkappe
 TE Bestell-Nr.: EGAUT992732-104 (kein Teil der Baugruppe)

WITH COVER AND SECONDARY LOCKING DEVICE
 mit Deckel und zweiter Kontaktsicherung



CABLE EXIT 1
 Kabelabgang 1
 CABLE EXIT 2
 Kabelabgang 2

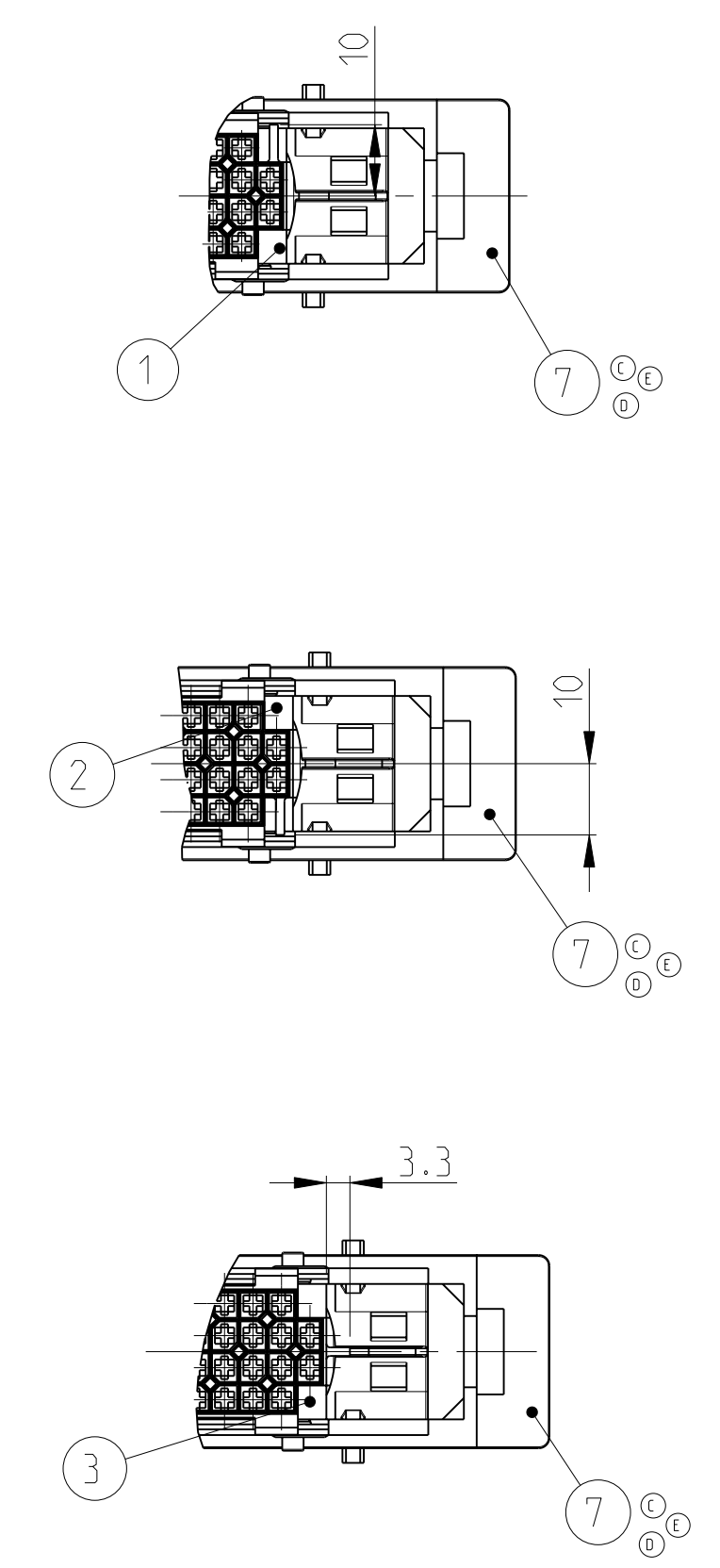
DELIVERY CONDITION
 Lieferzustand
 SLIDE IN LOCKED POSITION
 Schieber in Verriegelungsstellung

- NOTES
 Bemerkungen
- TYCO ELECTRONICS LOGO
 Tyco electronics Logo
 - TYCO ELECTRONICS ASSY-NO.
 Tyco electronics Baugruppen-Nr.
 - PRODUCTION DATE WITH DATE-CLOCK
 Produktionsdatum mit Datumsuhr
 - CAVITY MARKING
 Kammernummerierung
 - MATERIAL MARKING ACCORDING TO VDA 260
 Werkstoffkennzeichnung nach VDA 260
 - LAYER PACKAGING IN CORRUGATED BOX
 Lagenverpackung im Versandkarton
 - CONVERSION KIT
 Umbausatz
 - CAVITIES FOR SUITABLE CONTACTS:
 Kammern für passende Kontakte:

| | PRODUCT GROUP | DRAWING NO. | QTY | WIRE SIZE RANGE | FLK | FLR |
|--|----------------------|----------------|-------|---------------------------|------|-----------|
| | Produkt-Gruppe | Zeichnungs-Nr. | Stück | Leiterquerschnittsbereich | Leit | Leit |
| | MICRO TIMER 2 | 1355045 | 34 | -1.0 | - | 1.4-2.1 |
| | JUNIOR POWER TIMER | 1355046 | 6 | -2.5 | - | 2.2-3.0 |
| | STANDARD POWER TIMER | 1355048 | 2 | -4 | ⑧ | 3.4-3.2 ⑥ |

| LOC | DIST | REV | DATE | BY | CHK | APVD |
|-----|------|-----|-----------|----|-----|------|
| AI | - | E1 | 07APR2009 | HH | RK | |

CODING 1
 CODING 2
 CODING 3



| TE ORDER-NO. TE Bestell-Nr. | REV. | QTY Stück | MATERIAL | COLOR Farbe | DESCRIPTION Beschreibung | POS. | ITEM |
|--------------------------------|------|--------------|--------------|--|--|------|------|
| EGAUT99273-100-6 | 1 | 1 | PBT-GF20 | WINE RED RAL 3005 | SLIDE FOR 42POS. SOCKET HSG. VARIANT 2 | 8 | 6 |
| EGAUT99273-100-5 | 1 | 1 | PBT/ASA-GF30 | GENTIAN BLUE Enzianblau RAL 5010 | MIXED SOCKET HSG., 42POS., VARIANT 2, CODING 3 | 6 | 6 |
| EGAUT99273-100-5 | 1 | 1 | PBT-GF20 | WINE RED Weinrot RAL 3005 | SLIDE FOR 42POS. SOCKET HSG. VARIANT 2 | 8 | 5 |
| EGAUT99273-100-5 | 1 | 1 | PBT/ASA-GF30 | SLATE GREY Schiefergrau RAL 7015 | MIXED SOCKET HSG., 42POS., VARIANT 2, CODING 2 | 5 | 5 |
| EGAUT99273-100-4 | 1 | 1 | PBT-GF20 | WINE RED Weinrot RAL 3005 | SLIDE FOR 42POS. SOCKET HSG. VARIANT 2 | 8 | 4 |
| EGAUT99273-100-4 | 1 | 1 | PBT/ASA-GF30 | GRAPHITE BLACK Graphitschwarz RAL 9011 | MIXED SOCKET HSG., 42POS., VARIANT 2, CODING 1 | 4 | 4 |
| 0-1394522-3 | E | 1 | PBT-GF20 | WINE RED Weinrot RAL 3005 | SLIDE FOR 42POS. SOCKET HSG., VARIANT 1 ⑧ ⑥ | 7 | 3 |
| 0-1394522-3 | E | 1 | PBT/ASA-GF30 | GENTIAN BLUE Enzianblau RAL 5010 | MIXED SOCKET HSG., 42POS., VARIANT 1, CODING 3 | 3 | 3 |
| 0-1394522-2 | E | 1 | PBT-GF20 | WINE RED Weinrot RAL 3005 | SLIDE FOR 42POS. SOCKET HSG., VARIANT 1 ⑧ ⑥ | 7 | 2 |
| 0-1394522-2 | E | 1 | PBT/ASA-GF30 | SLATE GREY Schiefergrau RAL 7015 | MIXED SOCKET HSG., 42POS., VARIANT 1, CODING 2 | 2 | 2 |
| 0-1394522-1 | E | 1 | PBT-GF20 | WINE RED Weinrot RAL 3005 | SLIDE FOR 42POS. SOCKET HSG. VARIANT 1 ⑧ ⑥ | 7 | 1 |
| 0-1394522-1 | E | 1 | PBT/ASA-GF30 | GRAPHITE BLACK Graphitschwarz RAL 9011 | MIXED SOCKET HSG., 42POS., VARIANT 1, CODING 1 | 1 | 1 |

TYCO ELECTRONICS CORPORATION
 1355469

DWN: H. Himrichs 07 JUL 2000
 CHK: R. Kapp 18 SEP 2000

TYCO ELECTRONICS
 Tyco Electronics AMP GmbH
 0 - 64625 Bensheim

NAME: MT2 / JPT / SPT
 PRODUCT SPEC: MIXED SOCKET HOUSING, 42POS., ASSY
 PRODUCT SPEC: Gem. Buchsengehäuse, 42pol., Assy

SIZE: ca. 40g
 DRAWING NO: 0-1394522
 SCALE: 1:1

RESTRICTED TO: NUR FÜR: -

CUSTOMER DRAWING / KUNDENZEICHNUNG