

# High Speed, High Power, Hermetic Infrared Emitting Diode



## OP224K

### Features:

- Hermetically sealed package
- Mechanically and spectrally matched to other OPTEK devices
- Designed for direct mount to PCBoard
- High Modulation Bandwidth
- High Irradiance Power



### Description:

The **OP224K** device is an 875 nm gallium aluminum arsenide infrared emitting diode (GaAlAs), mounted in a hermetically sealed “pill” package with an enhanced temperature range and a narrow irradiance pattern that provides high on-axis intensity for excellent coupling efficiency. These devices offer significantly higher power output than GaAs at equivalent drive currents and have a wavelength that is matched to silicon’s peak response. Their small package size permits high device density mounting.

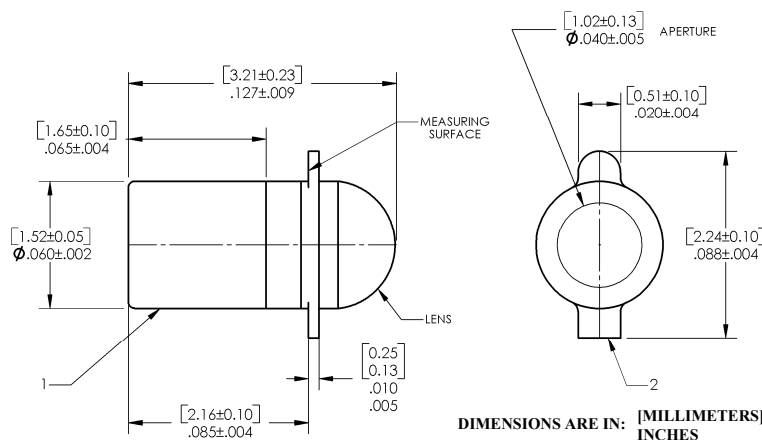
*All these LEDs are mechanically and spectrally matched to the OP300 series, OP600 series and OP640 series devices.*

*Please refer to Application Bulletins 208 and 210 for additional design information and reliability (degradation) data, and to Application Bulletin 202 for pill-type soldering to PCBoard.*

### Applications:

- Non-contact reflective object sensor
- Assembly line automation
- Machine automation
- Machine safety
- End of travel sensor
- Door sensor
- Encoders
- Free Air Data Transmissions

Ordering Information		
Part Number	LED Peak Wavelength	Total Beam Angle
OP224k	875nm	24°



Pin #	LED	Sensor
1	Anode	Collector
2	Cathode	Emitter



General Note  
TT Electronics reserves the right to make changes in product specification without notice or liability. All information is subject to TT Electronics’ own data and is considered accurate at time of going to print.

OPTEK Technology, Inc.  
1645 Wallace Drive, Carrollton, TX 75006 | Ph: +1 972 323 2200  
www.optekinc.com | www.ttelectronics.com

# High Speed, High Power, Hermetic Infrared Emitting Diode



OP224K

## Electrical Specifications

Absolute Maximum Ratings ( $T_A = 25^\circ\text{C}$ unless otherwise noted)	
Storage Temperature Range	-65°C to +150°C
Operating Temperature Range	-65°C to +125°C
Reverse Voltage	2.0 V
Continuous Forward Current	100 mA
Peak Forward Current (2μs pulse with 0.1% duty cycle)	1.0 A
Lead Soldering Temperature [1/16 inch (1.6 mm) from case for 5 seconds with soldering iron]	260°C <sup>(1)(2)</sup>
Power Dissipation	150 mW <sup>(3)</sup>

Electrical Characteristics ( $T_A = 25^\circ\text{C}$ unless otherwise noted)						
SYMBOL	PARAMETER	MIN	TYP	MAX	UNITS	TEST CONDITIONS
<b>Input Diode</b>						
$E_{E(APT)}^{(3)}$	Apertured Radiant Incidence OP224K	5.00	-	-	mW/cm <sup>2</sup>	$I_F = 50\text{ mA}^{(4)}$
$V_F$	Forward Voltage OP224K	-	-	2.00	V	$I_F = 50\text{ mA}$
$I_R$	Reverse Current	-	-	100	μA	$V_R = 2.0\text{ V}$
$\lambda_p$	Wavelength at Peak Emission OP224K	-	875	-	nm	$I_F = 20\text{ mA}$
B	Spectral Bandwidth between Half Power Points OP224K	-	45	-	nm	$I_F = 20\text{ mA}$
$\Delta\lambda_p/\Delta T$	Spectral Shift with Temperature OP224	-	+0.18	-	nm/°C	$I_F = \text{Constant}$
$\theta_{HP}$	Emission Angle at Half Power Points	-	24	-	Degree	$I_F = 50\text{ mA}$
$t_r$	Output Rise Time OP224K	-	25	-	ns	$I_{F(PK)} = 50\text{ mA}$ , $PW = 10\text{ }\mu\text{s}$ , and $D.C. = 10.0\%$
$t_f$	Output Fall Time OP224K	-	25	-	ns	

Notes:

1. Refer to Application Bulletin 202 which reviews proper soldering techniques for pill-type devices.
2. No clean or low solids. RMA flux is recommended. Duration can be extended to 10 seconds maximum when flow soldering.
3. Derate linearly 1.50 mW/°C above 25°C.
4.  $E_{E(APT)}$  is a measurement using a 0.031" (0.787 mm) diameter apertured sensor placed 0.50" (12.7 mm) from the measuring surface.  $E_{E(APT)}$  is not necessarily uniform within the measured area.

General Note  
TT Electronics reserves the right to make changes in product specification without notice or liability. All information is subject to TT Electronics' own data and is considered accurate at time of going to print.

OPTEK Technology, Inc.  
1645 Wallace Drive, Carrollton, TX 75006 | Ph: +1 972 323 2200  
www.optekinc.com | www.ttelectronics.com

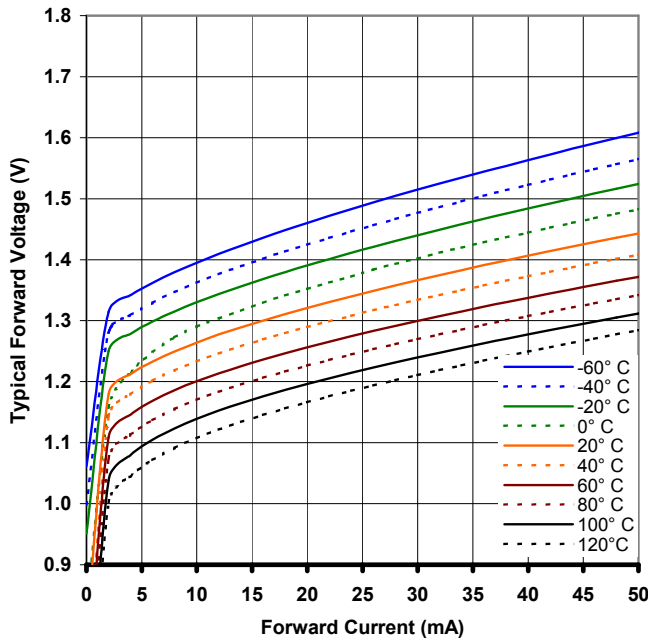
# High Speed, High Power, Hermetic Infrared Emitting Diode

OP224K

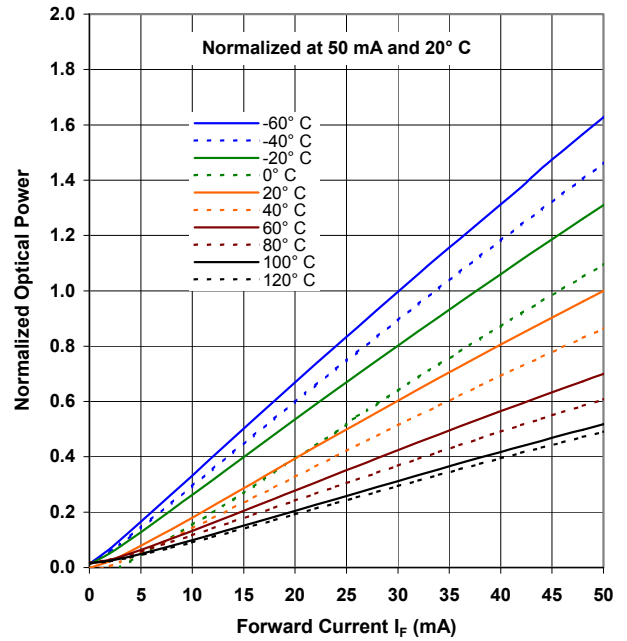


## Performance

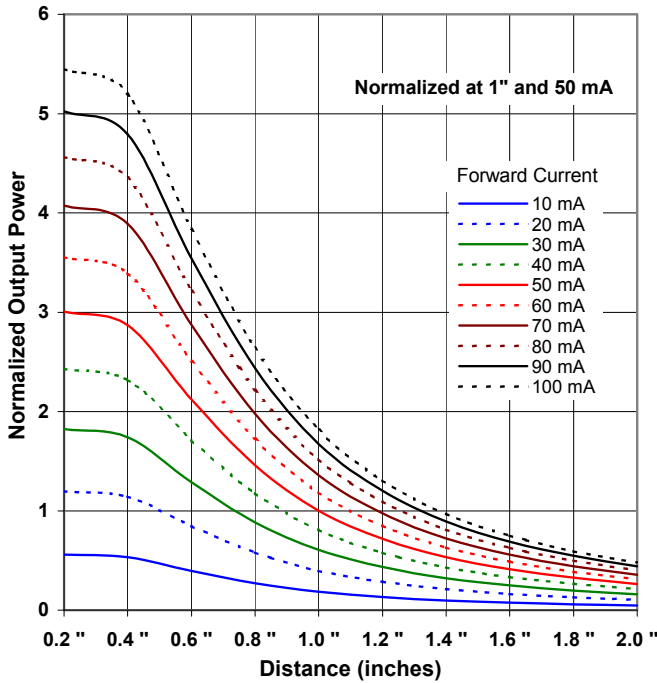
Forward Voltage vs Forward Current vs Temperature



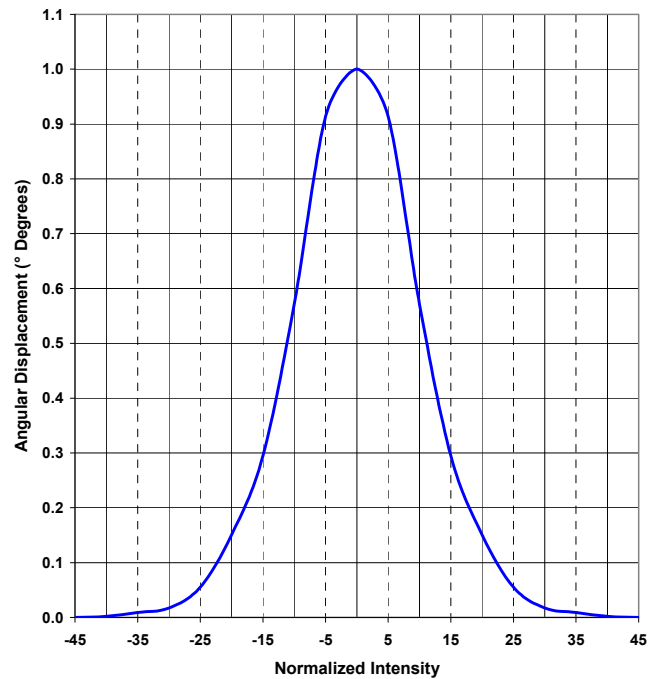
Optical Power vs  $I_F$  vs Temperature



Distance vs Output Power vs Forward Current



Normalized Intensity vs Beam Angle



General Note  
TT Electronics reserves the right to make changes in product specification without notice or liability. All information is subject to TT Electronics' own data and is considered accurate at time of going to print.

OPTEK Technology, Inc.  
1645 Wallace Drive, Carrollton, TX 75006 | Ph: +1 972 323 2200  
www.optekinc.com | www.ttelectronics.com