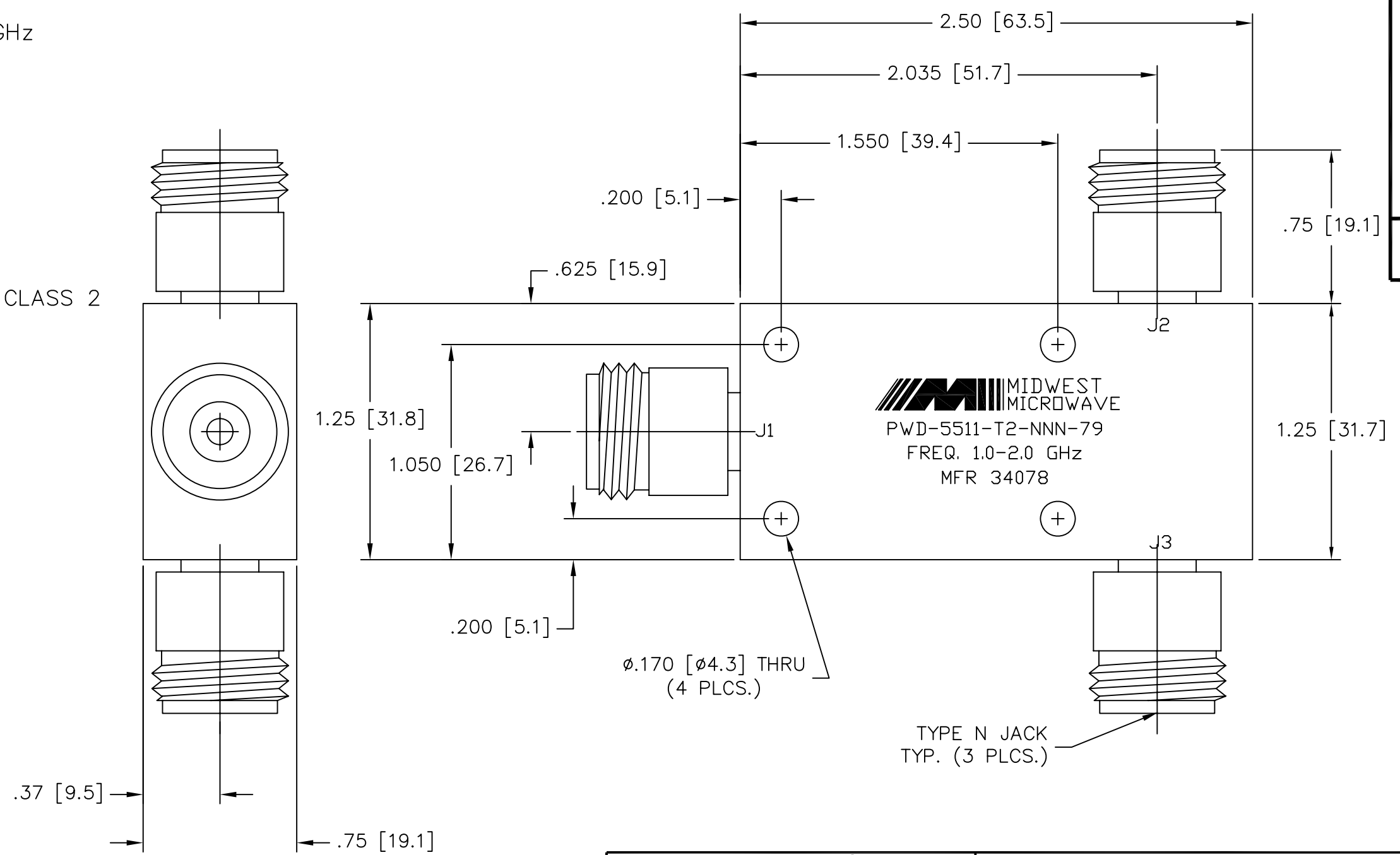


- NOTES:
- 1.0 ELECTRICAL SPECIFICATIONS:
    - 1.1 FREQUENCY RANGE: 1.0 to 2.0 GHz
    - 1.2 INSERTION LOSS: 0.4dB MAX.
    - 1.3 ISOLATION: 20dB MIN
    - 1.4 VSWR (MAX): 1.25:1
    - 1.5 OUTPUT UNBALANCE:
      - 1.5.1 AMPLITUDE: 0.20dB MAX.
      - 1.5.2 PHASE: 2° MAX.
    - 1.6 MAX. INPUT POWER: 3 WATTS

- 2.0 FINISH
  - 2.1 GREY PER MIL-E-15090 TYPE II, CLASS 2  
OVER MIL-C-5541 CLASS 3A  
MEETS MIL-F-14072  
MEETS MIL-E-5400

- 3.0 MARKING: MARK UNIT AS SHOWN.  
SLK-08209-82-01

- 4.0 DIMENSIONS IN PARENTHESIS ARE  
IN MILLIMETERS.



UNLESS OTHERWISE NOTED DIMENSIONS ARE IN INCHES AND TOLERANCES ARE:		FSCM NO. <b>34078</b>		<b>MIDWEST MICROWAVE</b>	
3 PLACE DECIMALS ±.005		NOTICE: The information contained in this drawing is proprietary and must not be used without the permission of Midwest Microwave		TITLE POWER DIVIDER	
2 PLACE DECIMALS ±.02					
FRACTIONS ±1/64		DRAWN/DATE S. ORLOV 1/11/08		ENG./DATE K. AYOTTE 3/14/08	
PARALLELITY: T.I.R. _____		CHECKED/DATE		APPROVED/DATE	
FLATNESS: T.I.R. _____		DRAWING NUMBER PWD-5511-T2-NNN-79		SCALE: 2=1	
CONCENTRICITY: T.I.R. _____		SHEET 1 of 1			
ANGLES AND PERPENDICULARITY: ±1°					

DATE	3/14/08
DESCRIPTION	RELEASED
REV.	-