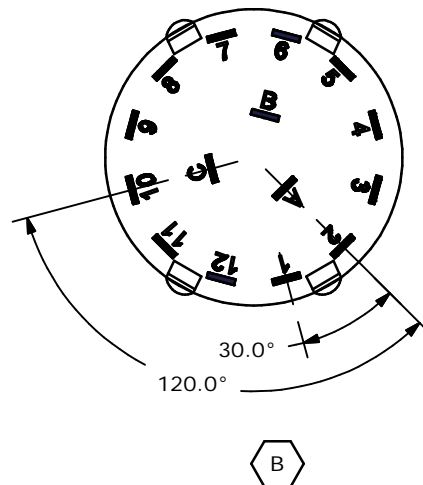
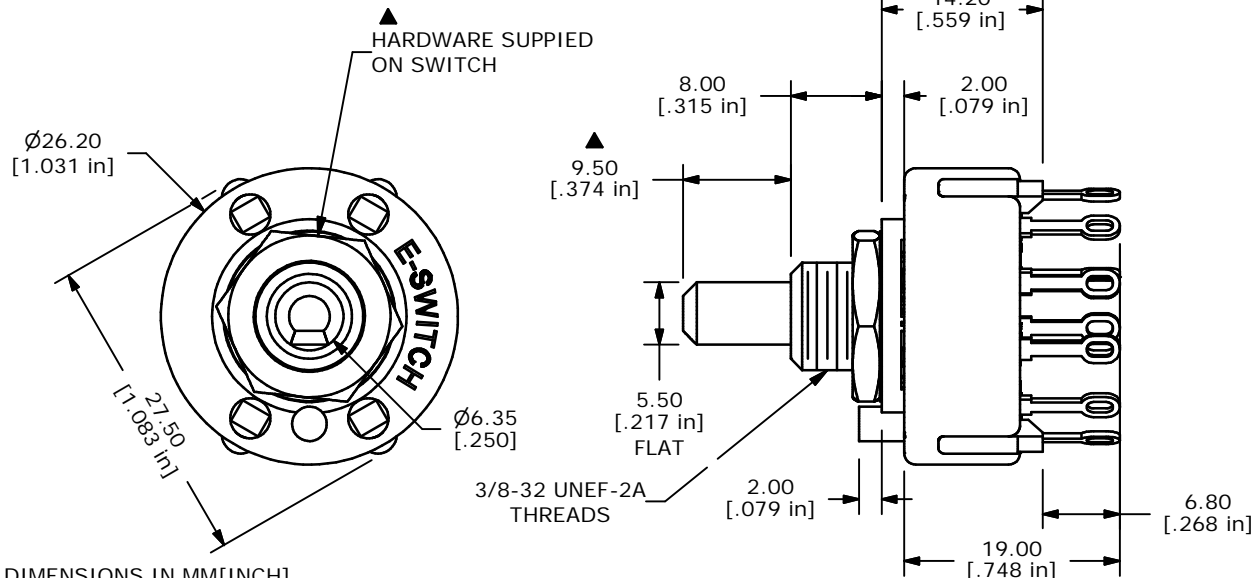
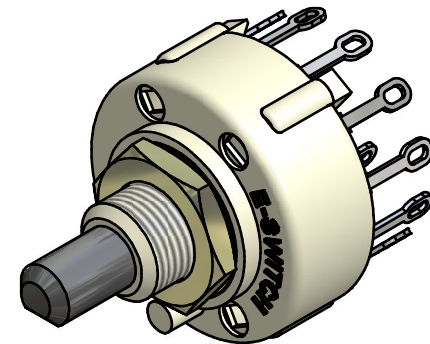


CONTACT CONFIGURATION  
TIMING (BBM) NON-SHORTING



NOTE:

1. ALL DIMENSIONS IN MM[INCH].
2. GENERAL TOLERANCE: X.X $\pm$ 0.4  
X.XX $\pm$ 0.25
3. TERM. NOS. FOR REFERENCE ONLY.
4. CONTACT MATERIAL: SILVER
5. CONTACT RATING: 150MILLIAMP, 250VAC/DC  
350MILLIAMP, 110VAC/DC
6. CONTACT RATING (NON-SWITCHING) 5A
7. OPERATING FORCE 425 $\pm$  100CM/STANDARD
8. OPERATING TEMP: -30°C TO 85°C
- ▲ 9. CIRCUIT 3P: 4 POSITION 30° INDEX. - NO STOPS
10. DIELECTRIC STRENGTH: 1000V RMS MIN.@ SEA LEVEL.
- ▲ 11. HARDWARE SUPPLIED ON SWITCH:  
LOCKWASHER, HEXNUT
12. ▲ DENOTES CRITICAL PARAMETER.

**E-SWITCH®**

|     |        |                         |         |    |
|-----|--------|-------------------------|---------|----|
| B   | 14299  | CORRECT BOTTOM VIEW     | 9/8/04  | AR |
| A   | 14092  | RELEASED FOR PRODUCTION | 6/11/04 | AR |
| REV | PCR NO | DESCRIPTION             | DATE    | BY |

|                     |         |    |         |     |
|---------------------|---------|----|---------|-----|
| TITLE KC30A9.501NLS |         |    |         |     |
| SCALE               | DATE    | DR | DWG     | REV |
| 1.5:1               | 6/11/04 | AR | G510584 | B   |

THE INFORMATION CONTAINED IN THIS DOCUMENT IS PROPRIETARY TO E-SWITCH AND IS NOT TO BE COPIED OR TRANSFERRED