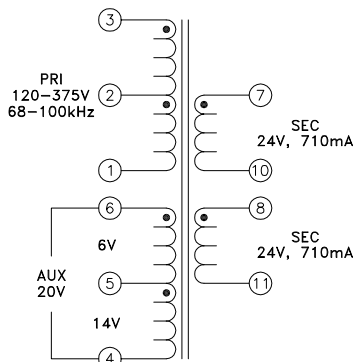
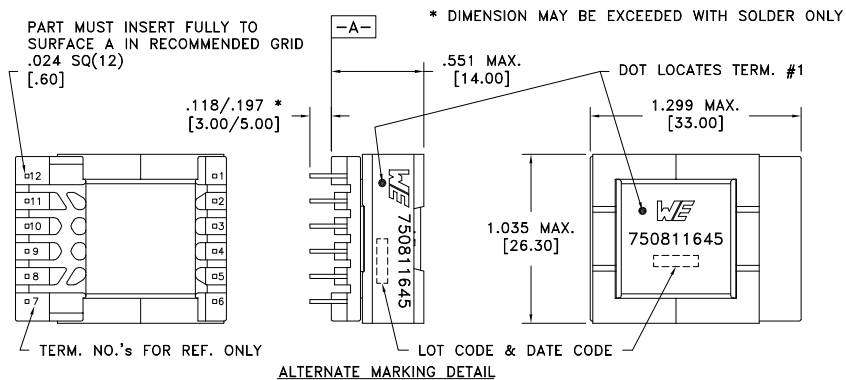
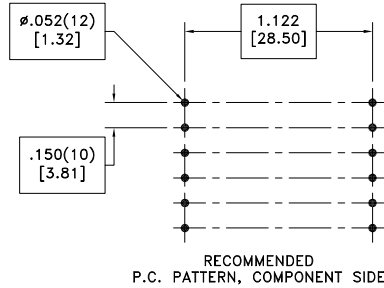


CUSTOMER TERMINAL	RoHS	LEAD(Pb)-FREE
Sn96%, Ag4%	Yes	Yes



Customer to tie terminals 8+10 for 48V output



ELECTRICAL SPECIFICATIONS @ 25°C unless otherwise noted:

PARAMETER	TEST CONDITIONS	VALUE
D.C. RESISTANCE	1-3 @20°C	0.615 ohms ±10%
D.C. RESISTANCE	4-5 @20°C	0.254 ohms ±10%
D.C. RESISTANCE	5-6 @20°C	0.1130 ohms ±10%
D.C. RESISTANCE	7-10 @20°C	0.052 ohms ±20%
D.C. RESISTANCE	8-11 @20°C	0.052 ohms ±20%
INDUCTANCE	1-3 10kHz, 100mVAC, Ls	470uH ±10%
SATURATION CURRENT	20% rolloff from initial	2A
LEAKAGE INDUCTANCE	1-3 tie(4+5+6, 7+8+10+11), 100kHz, 100mVAC, Ls	2.8uH typ., 4.2uH max.
DIELECTRIC	1-11 tie(3+4, 8+10), 4500VAC, 1 second	4500VAC, 1 minute
DIELECTRIC	1-5 625VAC, 1 second	500VAC, 1 minute
TURNS RATIO	(2-1):(3-2)	1:1, ±1%
TURNS RATIO	(3-1):(7-10)	4.166:1, ±1%
TURNS RATIO	(3-1):(8-11)	4.166:1, ±1%
TURNS RATIO	(3-1):(6-5)	16.66:1, ±2%
TURNS RATIO	(3-1):(5-4)	7.14:1, ±1%

GENERAL SPECIFICATIONS:

OPERATING TEMPERATURE RANGE: -40°C to +125°C including temp rise.

Designed to comply with the following requirements as defined by IEC61558-2-16:  
 - Reinforced insulation for a primary circuit at a working voltage of 400VDC.

Wire insulation & RoHS status not affected by wire color.  
 Wire insulation color may vary depending on availability.

REV.	DATE	Packaging Specifications Method: Tray PKG-0924 www.we-online.com/midcom		Tolerances unless otherwise specified: Angles: ±1°      Decimals: ±.005 [.13] Fractions: ±1/64      Footprint: ±.001 [.03]	DRAWING TITLE <b>TRANSFORMER</b>	PART NO. <b>750811645</b>
6A	11/13	SEE REVISION SHEET FOR REVISION LEVEL	CONVENTION PLACEMENT	This drawing is dual dimensioned. Dimensions in brackets are in millimeters.	eiSos p/n: 750811645	compliant RoHS SPECIFICATION SHEET 1 OF 1