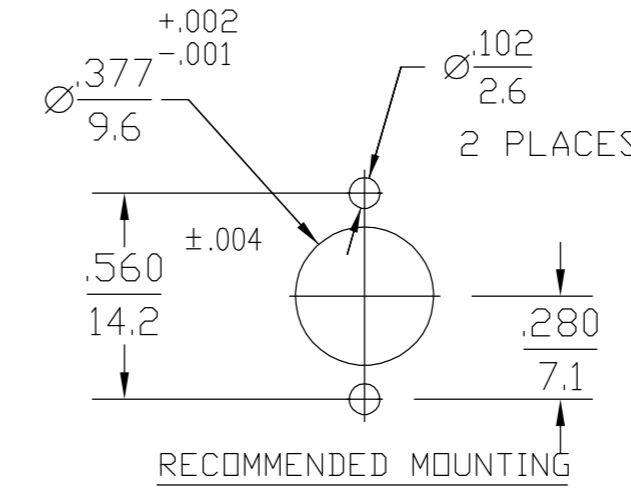
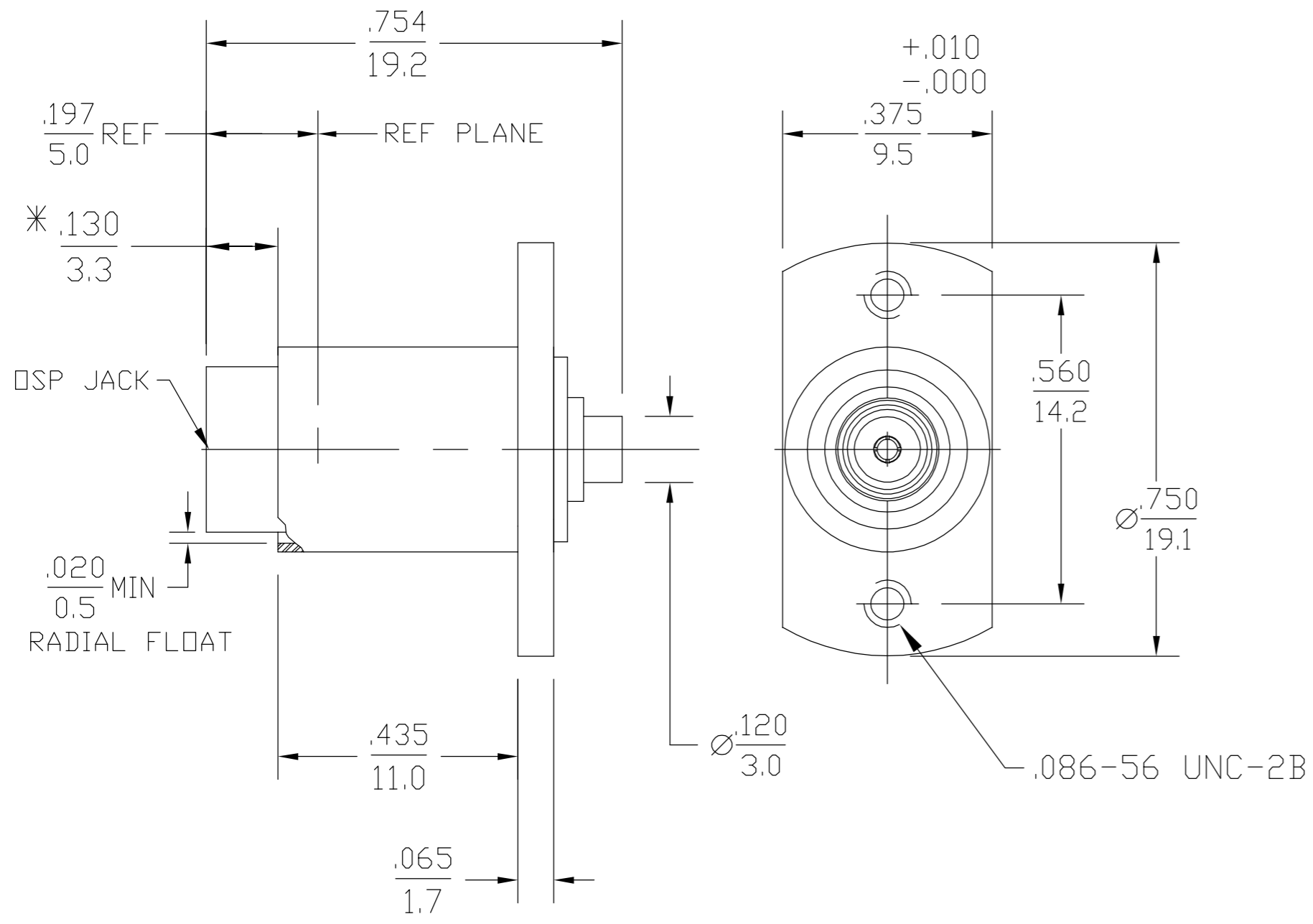


THIS DRAWING IS UNPUBLISHED. RELEASED FOR PUBLICATION
 © COPYRIGHT BY TYCO ELECTRONICS CORPORATION. ALL RIGHTS RESERVED.

Loc		DIST		REVISIONS			
P	LTR	DESCRIPTION	DATE	DWN	APVD		
		0	RELEASED PER OS14-0068-05.	23MAR2005	JGH	JGH	



6059442-1	
PART NUMBER	
DESIGNED FOR USE WITH .085 DIA SEMI-RIGID CABLE	
CABLE ENTRY DIAMETER MINIMUM	
HOUSING	.089
CONTACT	.021

INNER HOUSING BUSHING	STAINLESS STEEL PER ASTM-A484 AND ASTM-A582, TYPE 303	GOLD PLATE PER MIL-G-45204 OVER NICKEL PLATE PER QQ-N-290
OUTER HOUSING WASHER	STAINLESS STEEL PER ASTM-A484 AND ASTM-A582, TYPE 303	PASSIVATE PER ASTM-A380
SPRING	MUSIC WIRE	ZINC PLATE PER ASTM B 633
DIELECTRIC	PTFE FLUOROCARBON PER ASTM-D-1457	N/A
CENTER CONTACT	BERYLLIUM COPPER PER ASTM B 196, ALLOY C17300, CONDITION H	GOLD PLATE PER MIL-G-45204 OVER COPPER PLATE PER MIL-C-14550
CONTACT SLEEVE	BERYLLIUM COPPER PER ASTM B 196, ALLOY C17300, CONDITION H	GOLD PLATE PER MIL-G-45204 OVER NICKEL PLATE PER QQ-N-290
CONTACT RING SHIM	BERYLLIUM COPPER PER ASTM B 194, ALLOY C17200, CONDITION H	GOLD PLATE PER MIL-G-45204 OVER COPPER PLATE PER MIL-C-14550
RETAINING RING	BERYLLIUM COPPER PER ASTM B 194, ALLOY C17200, CONDITION H	NICKEL PLATE PER QQ-N-290 OVER COPPER PLATE PER MIL-C-14550
SPRING WASHER	BERYLLIUM COPPER PER ASTM B 194, ALLOY C17200, CONDITION H	NICKEL PLATE PER QQ-N-290

COMPONENT	MATERIAL	FINISH
THIS DRAWING IS A CONTROLLED DOCUMENT.		
DIMENSIONS: INCHES / mm TOLERANCES UNLESS OTHERWISE SPECIFIED: 0 PLC ± - 1 PLC ± - 2 PLC ± - 3 PLC ± .005 / 0.13 4 PLC ± - ANGLES ± 1° FINISH SEE TABLE		DWN J. HAVENER 23MAR2005 CHK J. HAVENER 23MAR2005 APVD J. HAVENER 23MAR2005 PRODUCT SPEC APPLICATION SPEC 408-8263 WEIGHT - CUSTOMER DRAWING
SEE TABLE		tyco Electronics Tyco Electronics Corporation Harrisburg, Pa 17105-3608 NAME OSP FLOATING FLANGE MOUNT, CABLE JACK DIRECT SOLDER ATTACHMENT (4506-5061-02) SIZE A2 CAGE CODE 00779 DRAWING NO C=6059442 RESTRICTED TO SCALE 4:1 SHEET 1 OF 1 REV 0

* TO ALLOW FOR .120 AXIAL FLOAT

ELECTRICAL	MECHANICAL	ENVIRONMENTAL
Nominal Impedance (Ohms) 50	Interface Dimensions DESC SPEC 85071	TEMPERATURE RATING -65° TO +125°C
Frequency Range (GHz) DC to 22	Mating Characteristics:	Vibration MIL-STD-202, Method 204, Condition D
Volt Rating (VRMS MAX) @ Sea Level 450	Insertion (MAX Lbs) 3	Shock MIL-STD-202, Method 213, Condition I
VSWR 1.05+.005f(GHz) DC to 18 GHz 1.05+.009f(GHz) 18 to 22 GHz	Withdrawal (MIN Oz) 1	Thermal Shock MIL-STD-202, Method 107, Condition B
Insertion Loss (dB MAX) .03x √f(GHz)	Force to Engage (In-Lbs MAX) 3 & Disengage (In-Lbs MAX) 1.5	Moisture Resistance MIL-STD-202, Method 106
RF Leakage (dB MIN) (Interface Only, Fully Mated) -(90-f(GHz))	Center Contact Captivation Axial (Lbs) 6	Corrosion - MIL-STD-202, Method 101, Condition B, 5% Salt Spray
Corona, 70,000 Ft (VRMS MIN) 335	Cable Retention Axial Force (Lbs MIN) 30 Torque (In-Oz MIN) 16	
Dielectric Withstanding Voltage (VRMS MIN) @ Sea Level 1000	Weight (Grams) 5.4	
Contact Resistance (Milliohms MAX)	Spring Rate 27 lbs/in	
Center Contact 2.0	Pre-load 3.5 lbs min	
Outer Contact 2.0	Durability 5000 cycles	
Cable to Housing 0.5		
RF High Potential @ Sea Level (VRMS MIN @ 5 MHz) 670		
I.R.(Megohms MIN) 5000		