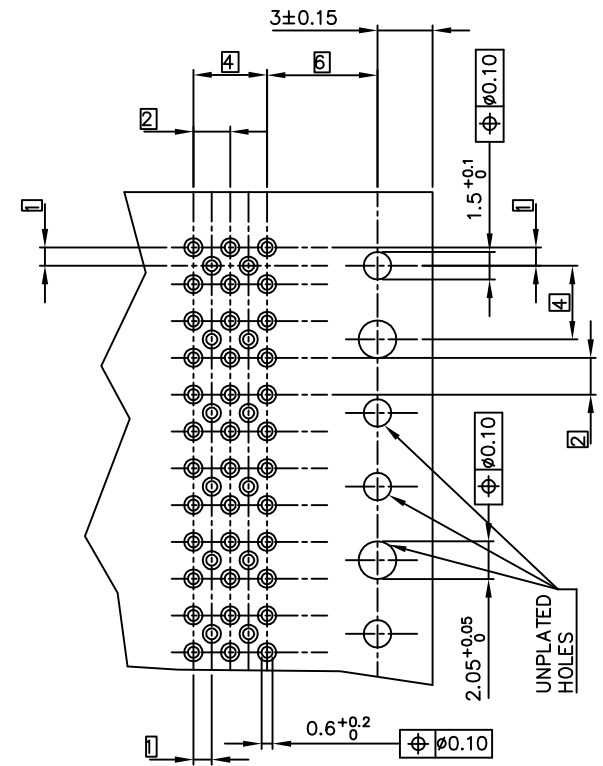
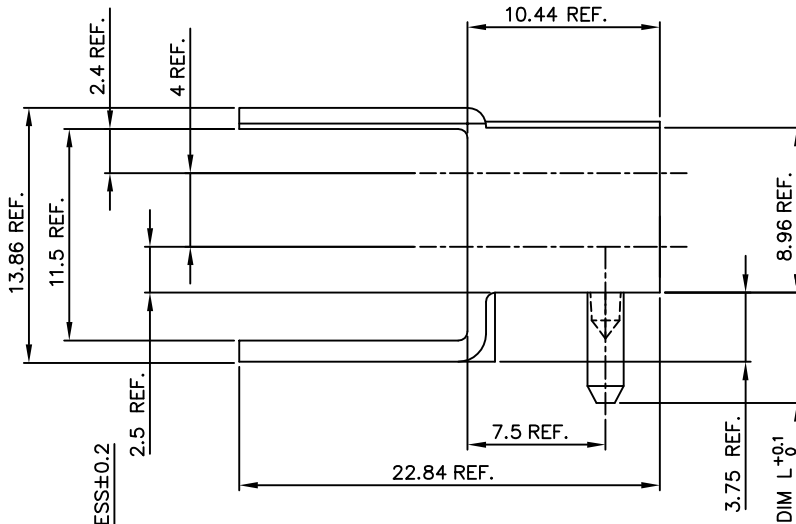
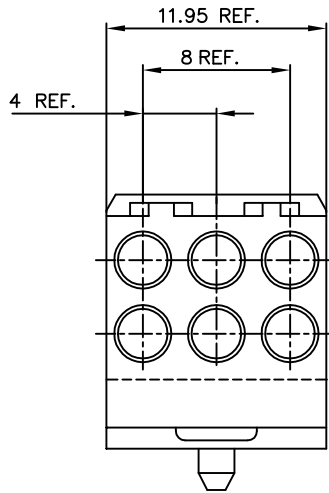
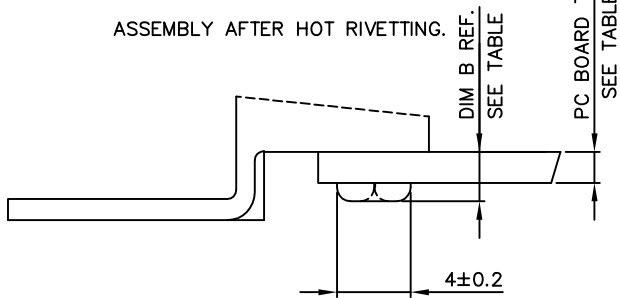


PRODUCT NR:	PCB THICKNESS	DIM B	DIM L
88982-101LF	1.6 & 2.4	3.08	5.20



ASSEMBLY AFTER HOT RIVETTING.



NOTE:

- MATERIAL:  
LIQUID CRYSTAL POLYMER 30% GLASS,  
FLAME RETARDANT ACC. TO UL 94-V0  
COLOR NATURAL
- THIS PRODUCT MEETS EUROPEAN UNION DIRECTIVES AND OTHER  
COUNTRY REGULATIONS AS DESCRIBED IN GS-22-008
- THE HOUSING WILL WITHSTAND EXPOSURE TO 260DEGREE PEAK  
TEMPERATURE FOR 10 SECONDS IN A WAVE SOLDER APPLICATION.

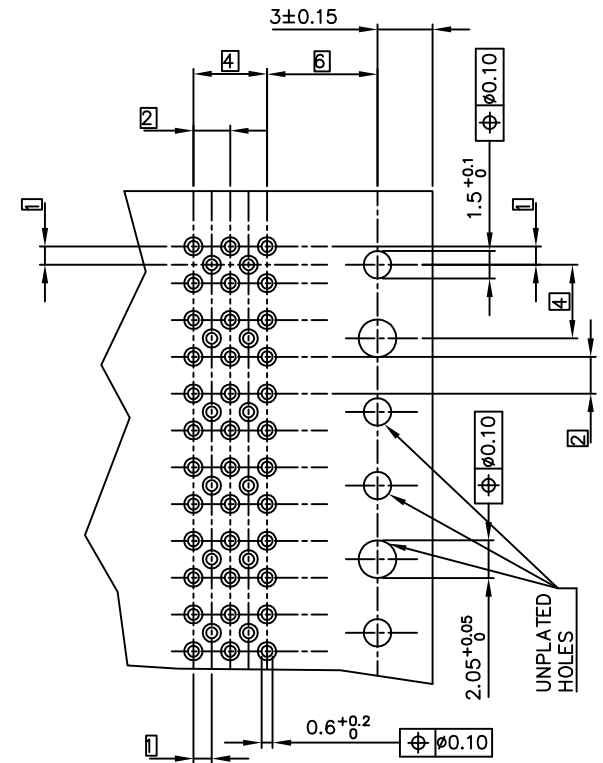
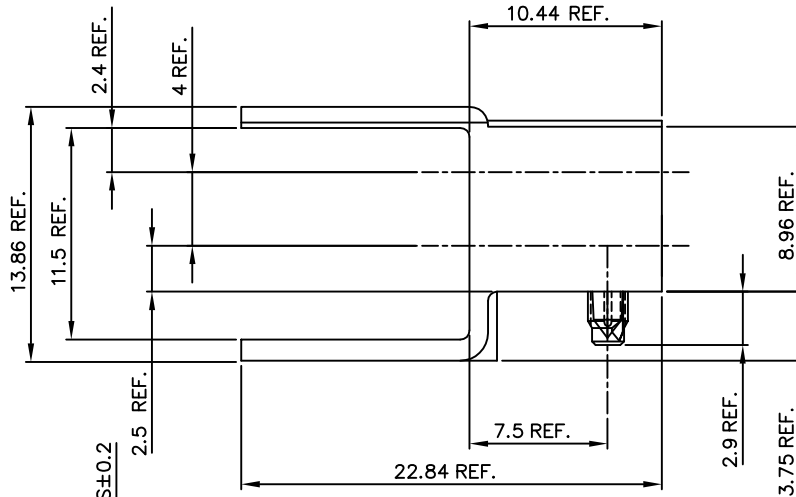
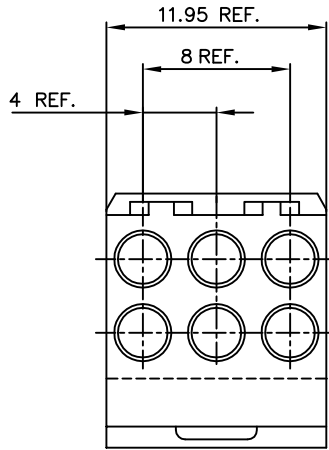
mat'l. code SEE NOTE 1		tolerances unless otherwise specified		CUSTOMER COPY	ELECTRONICS www.fciconnect.com	
ltr	ecn no	dr	date	projection title	R.A. HEADER MINI COAX	product family METRAL (tm)
H	005-048	CLU	051115			
linear				mm	code 213	sheet 1 of 2
C	H20755	DAN	921124	angles	scale	88982
D	H40355	DOB	940617	dr	D Andrews	920424
E	H50047	RVI	950119	engr	E. Fejen	940616
F	H70267	DOB	970416	chr	P Schalk	920424
G	H90477	DOB	990816	app	H Coojmans	950119
sheet	revision	H	H	scale	A2	88982
Indx	sheet	1	2	size	A2	88982

PDM: Rev.H

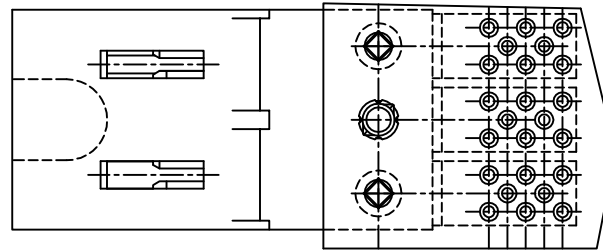
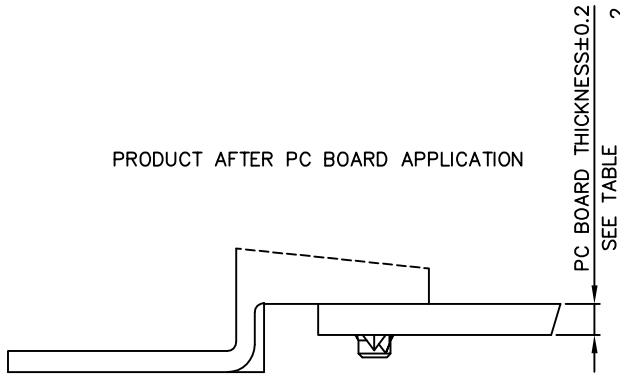
STATUS: Released

Printed: May 19, 2011

PRODUCT NUMBER 88982-102LF



PRODUCT AFTER PC BOARD APPLICATION



RECOMMENDED HOLE PATTERN,  
COMPONENT SIDE.

NOTE:

- 1) MATERIAL:  
LIQUID CRYSTAL POLYMER 30% GLASS,  
FLAME RETARDANT ACC. TO UL 94-V0  
COLOR NATURAL
- 2) THIS PRODUCT MEETS EUROPEAN UNION DIRECTIVES AND OTHER  
COUNTRY REGULATIONS AS DESCRIBED IN GS-22-008
- 3) THE HOUSING WILL WITHSTAND EXPOSURE TO 260DEGREE PEAK  
TEMPERATURE FOR 10 SECONDS IN A WAVE SOLDER APPLICATION.

mat'l. code SEE NOTE 1		tolerances unless otherwise specified		CUSTOMER COPY		<b>ELECTRONICS</b> www.fciconnect.com	
ltr	ecn no	dr	date	linear	projection	title R.A. HEADER	
H				angles		MINI COAX PRESS PEG	
		dr	D. de Bill 940617		mm	product family	code
		eng	E. Feijen 940617			CENTRAL (tm)	213
		chr	E. Feijen 940617		scale	size	sheet
		app	H. Cozijmans 950119		5:1	dwg no	2 of-
sheet	revision					88982	
Indx	sheet						

PDM: Rev.H

STATUS: Released

Printed: May 19, 2011