

LOC	DIST	REVISIONS			
P	LTN	DESCRIPTION	DATE	DWN	APVD
FT	0	A	NEW DRAWING	01AUG2013	KH MB

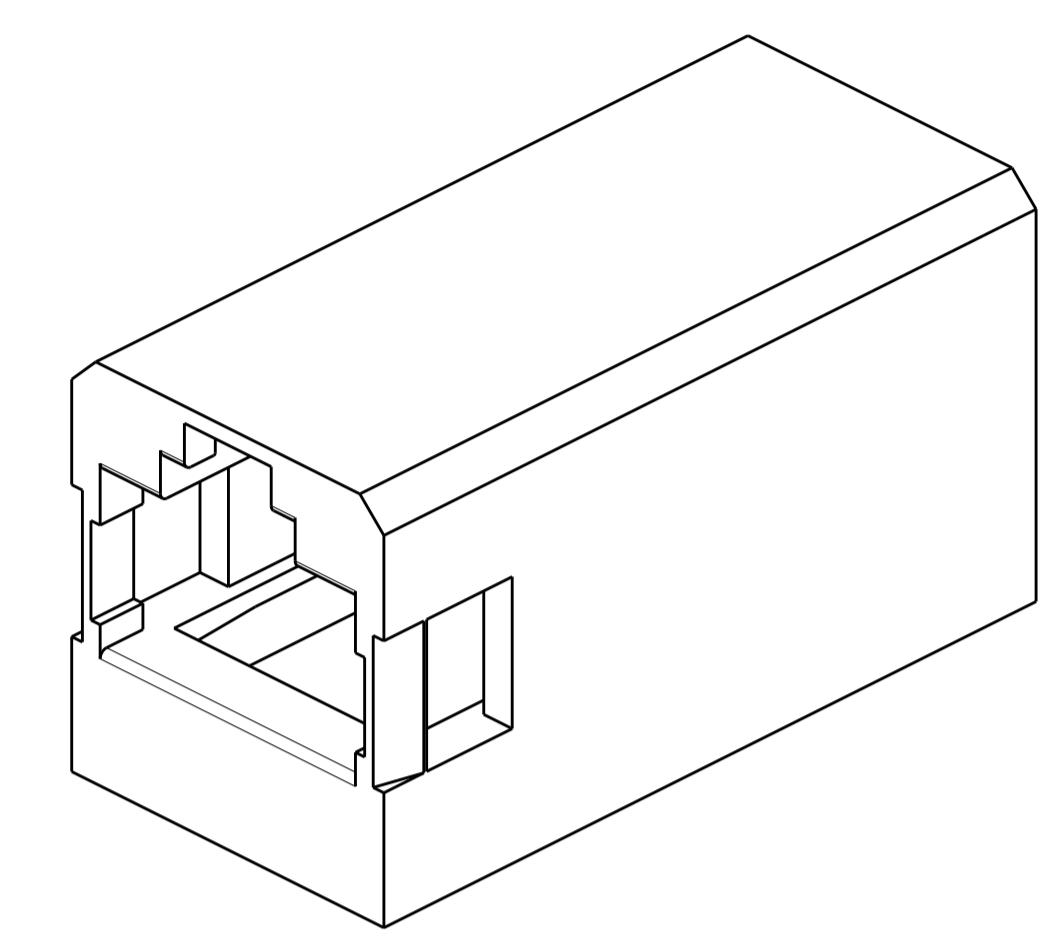
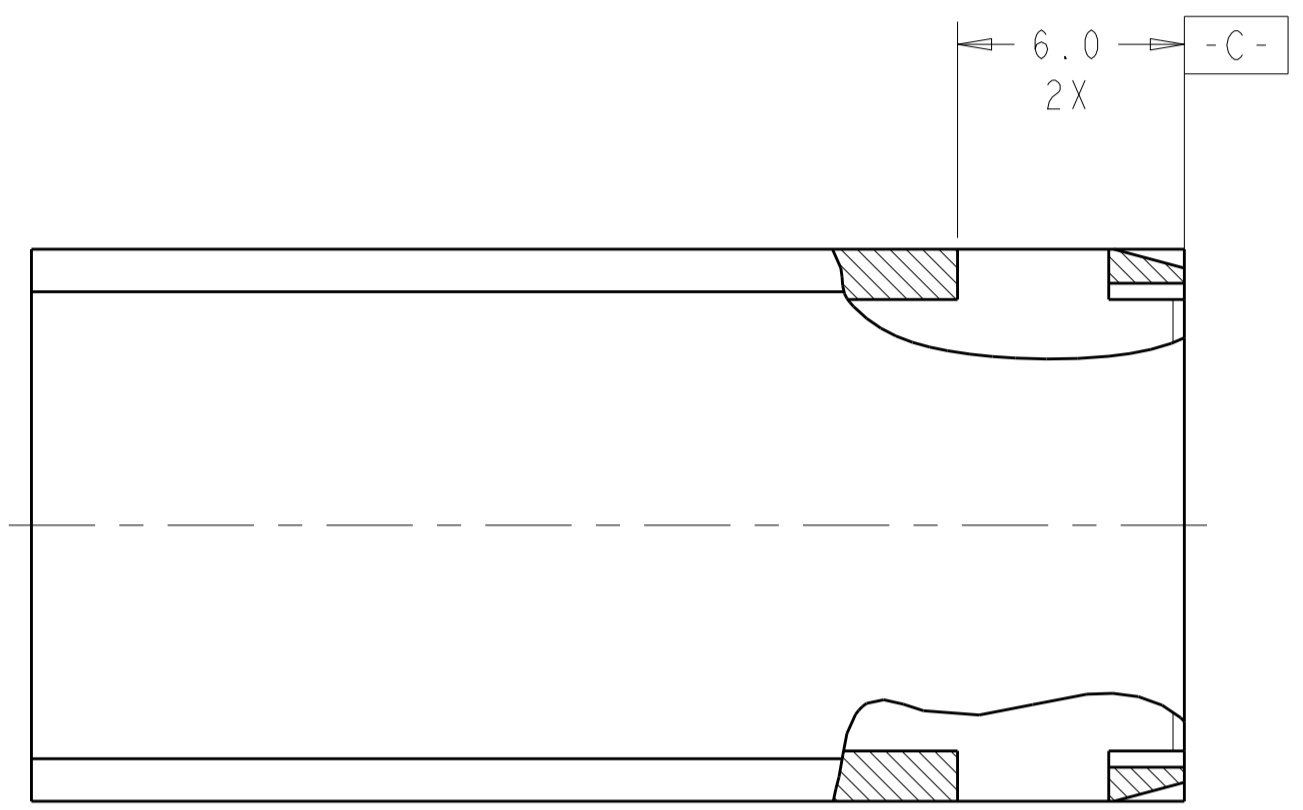
1. COUPLER DESIGNED TO MEET TO MEET:  
 ANSI/TIA/EIA-568-B.2, CATEGORY 5E  
 IEC 60603-7, A8F, VARIANT 03  
 FCC PART 68  
 UL 1863

2. MATERIAL:  
 JACK HOUSING:  
 UL V-0 RATED AT 1.5mm THICKNESS, ABS, GE CYCOLAC FRI5U OR EQUIVALENT,  
 UL RTI RATING TO BE 85°C FOR ELECTRICAL  
 AND MECHANICAL (WITHOUT IMPACT), COLOR BLACK.  
 CONTACTS:  
 PHOSPHOR BRONZE, PLATED WITH 1.27 μm MIN  
 GOLD PER ASTM B488 TYPE 2 GRADE B OVER 2.54 μm MIN NICKEL PER QQ-N-290.  
 CONTACT LIFE TO BE 750 INSERTIONS AND EXTRACTIONS MINIMUM.

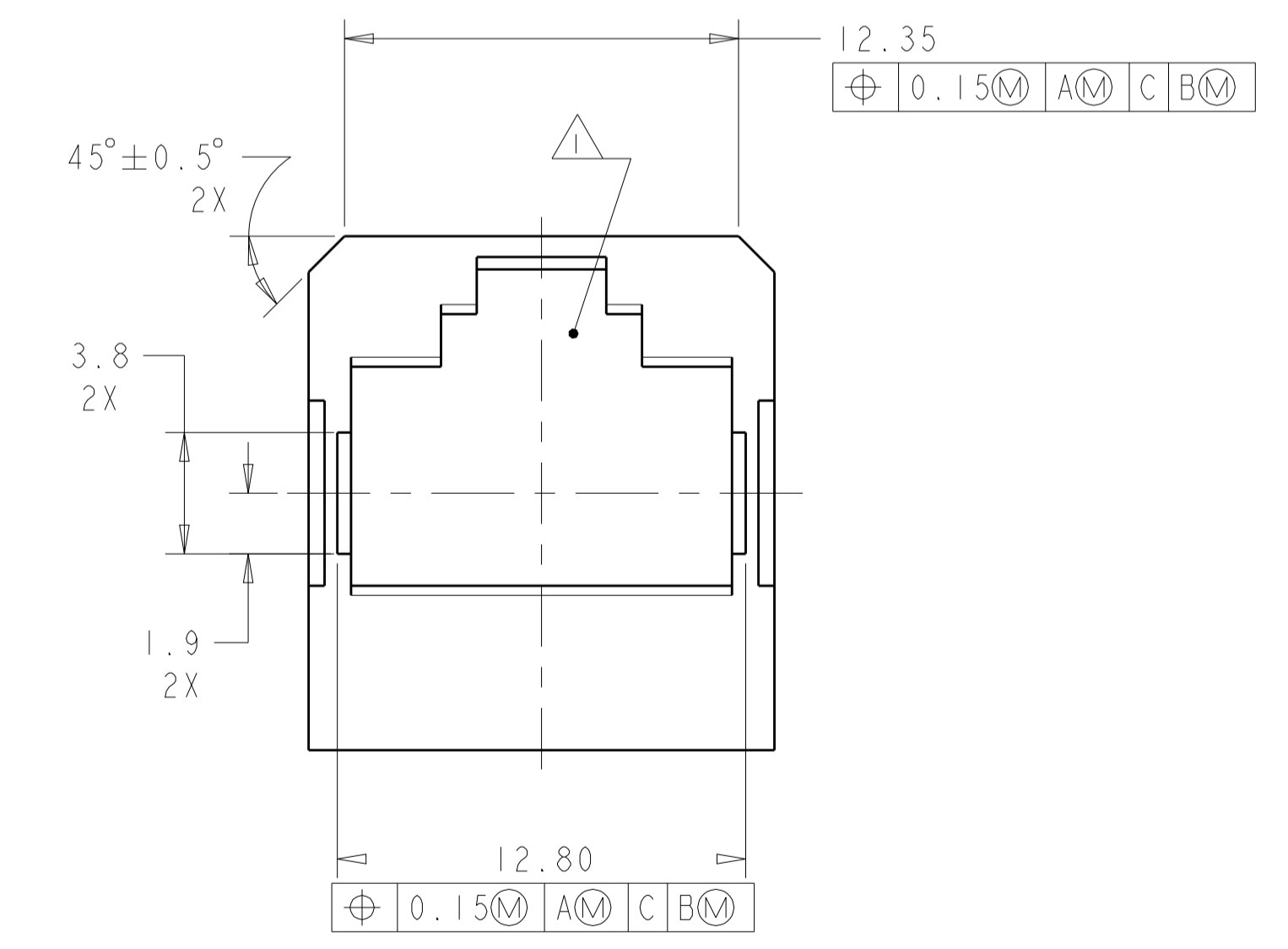
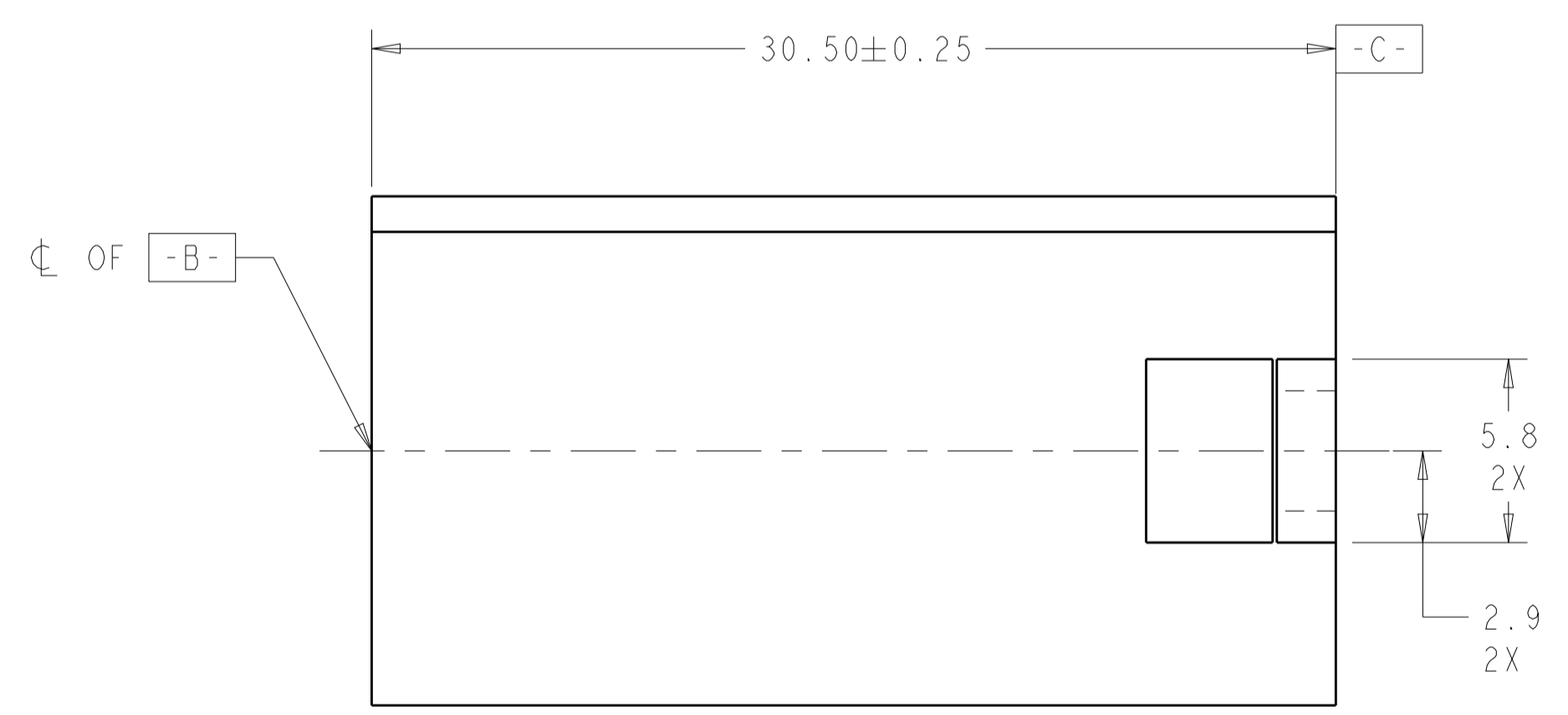
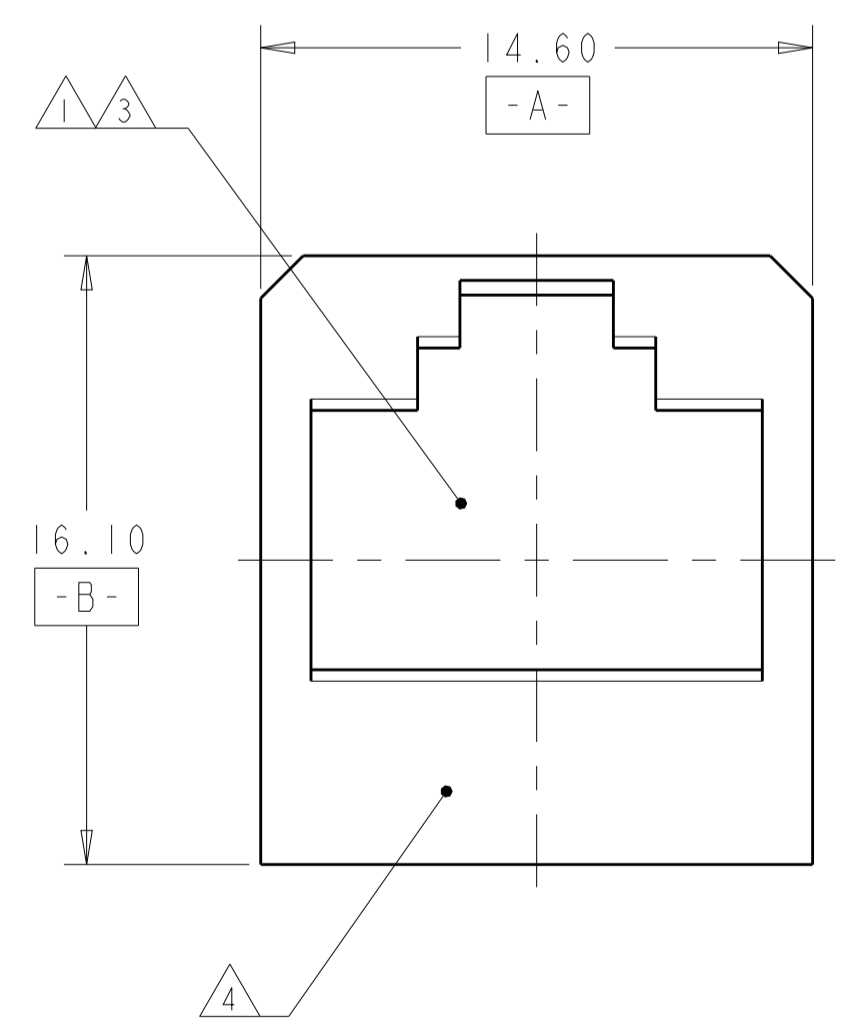
3. COUPLER CONTACTS ARE STRAIGHT PINNED TO THEIR RESPECTIVE CONTACTS  
 PIN 1-1, 2-2, 3-3, ETCETERA.

4. TE LOGO IN LOCATION SHOWN  
 RAISED 0.08 TO 0.015

5. COMPLIES WITH DIRECTIVE 2002/95/EC  
 (ROHS - RESTRICTIONS ON THE USE OF CERTAIN HAZARDOUS SUBSTANCES)  
 TO BE LEAD FREE.



SCALE 4:1



REMARKS	1738612-1
	PART NUMBER

THIS DRAWING IS A CONTROLLED DOCUMENT.		DWN: KIRAN HOLAL 01AUG2013	TE Connectivity
DIMENSIONS:		CHK: BRUBAKER MARK 01AUG2013	
mm	TOLERANCES UNLESS OTHERWISE SPECIFIED:	APVD: BRUBAKER MARK 01AUG2013	NAME: COUPLER ASSEMBLY, MODULAR JACK, INDUSTRIAL CIRCULAR ETHERNET CONNECTOR
0 PLC	±	PRODUCT SPEC	APPLICATION SPEC
1 PLC	±0.2	SIZE	CAGE CODE
2 PLC	±0.08	DRAWING NO	RESTRICTED TO
3 PLC	±	00779	1738612
4 PLC	±	Customer Drawing	SCALE 5:1 SHEET 1 OF 1 REV A
ANGLES	±1°		
MATERIAL	FINISH		