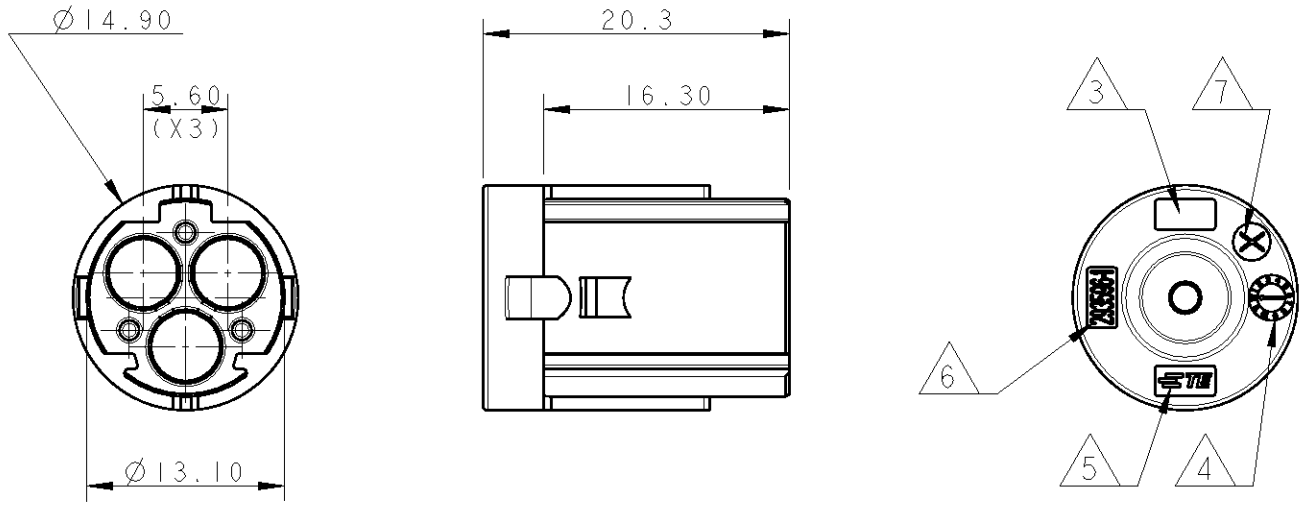


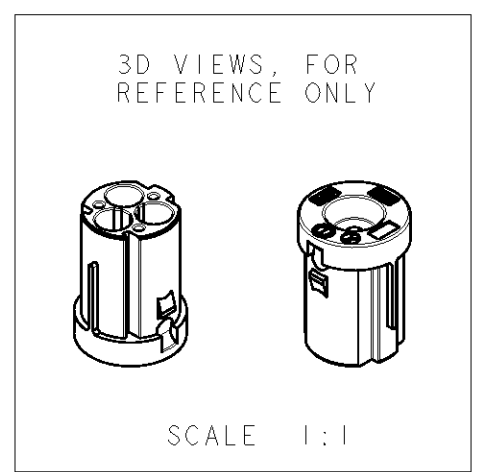
| LOC | DIST | REVISIONS | | | | |
|-----|------|------------------|-----------|-----|------|--|
| P | LTR | DESCRIPTION | DATE | DWN | APVD | |
| | B1 | REVISED MARKINGS | 06NOV2012 | MZ | JC | |
| | | | | | | |
| | | | | | | |



NOTES:

- 1) MATERIAL: POLYAMIDE GLASS FILLED
COLOUR GRAY
- 2) PACKAGING: SEE TE PACKAGING
SPECIFICATION 107-20294

- 3 AREA FOR AGENCY APPROVAL LOGO
- 4 DATE CODE
- 5 TE LOGO
- 6 TE PART NUMBER
- 7 TOOL CAVITY CODE



| | | | |
|--------|---------------------------|------|-------------|
| GRAY | SOCKET CAP NECTOR* M-LINE | B | 293596-1 |
| COLOUR | DESCRIPTION | REV. | PART NUMBER |

2010
 RELEASED FOR PUBLICATION
 ALL RIGHTS RESERVED.
 BY -
 COPYRIGHT 2010
 THIS DRAWING IS UNPUBLISHED.

| | | |
|--|---|---|
| DIMENSIONS: mm TOLERANCES UNLESS OTHERWISE SPECIFIED: 0 PLC ±- 1 PLC ±0.3 2 PLC ±0.20 3 PLC ±- 4 PLC ±- ANGLES ±3° | DWN M. ZUCCA 10DEC2009 CHK M. ZUCCA 10DEC2009 APVD G. TURCO 10DEC2009 | MATERIAL NOTE 1 FINISH - |
| | PRODUCT SPEC 108-20304 APPLICATION SPEC 114-20152 WEIGHT ~2.5 g | NAME SOCKET CAP NECTOR* M-LINE SIZE A4 CAGE CODE 00779 DRAWING NO G=293596 RESTRICTED TO - |
| | Customer Drawing | SCALE 2:1 SHEET 1 OF 1 REV B1 |