

4

3

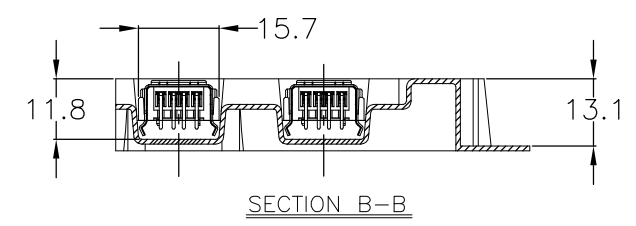
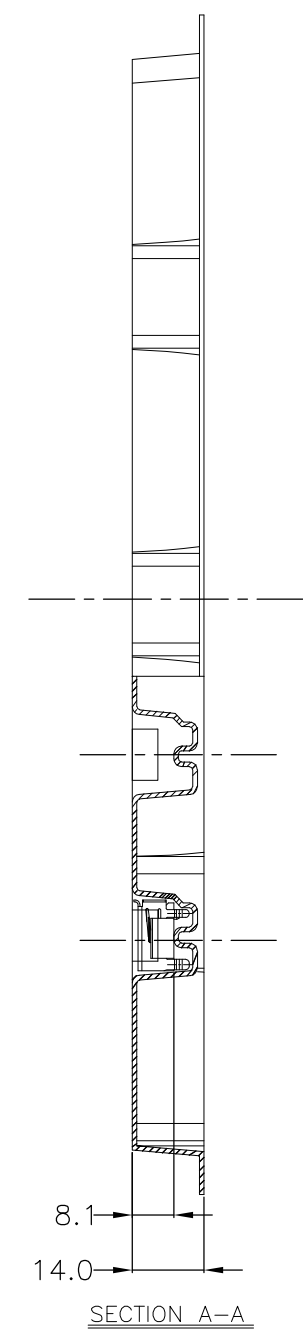
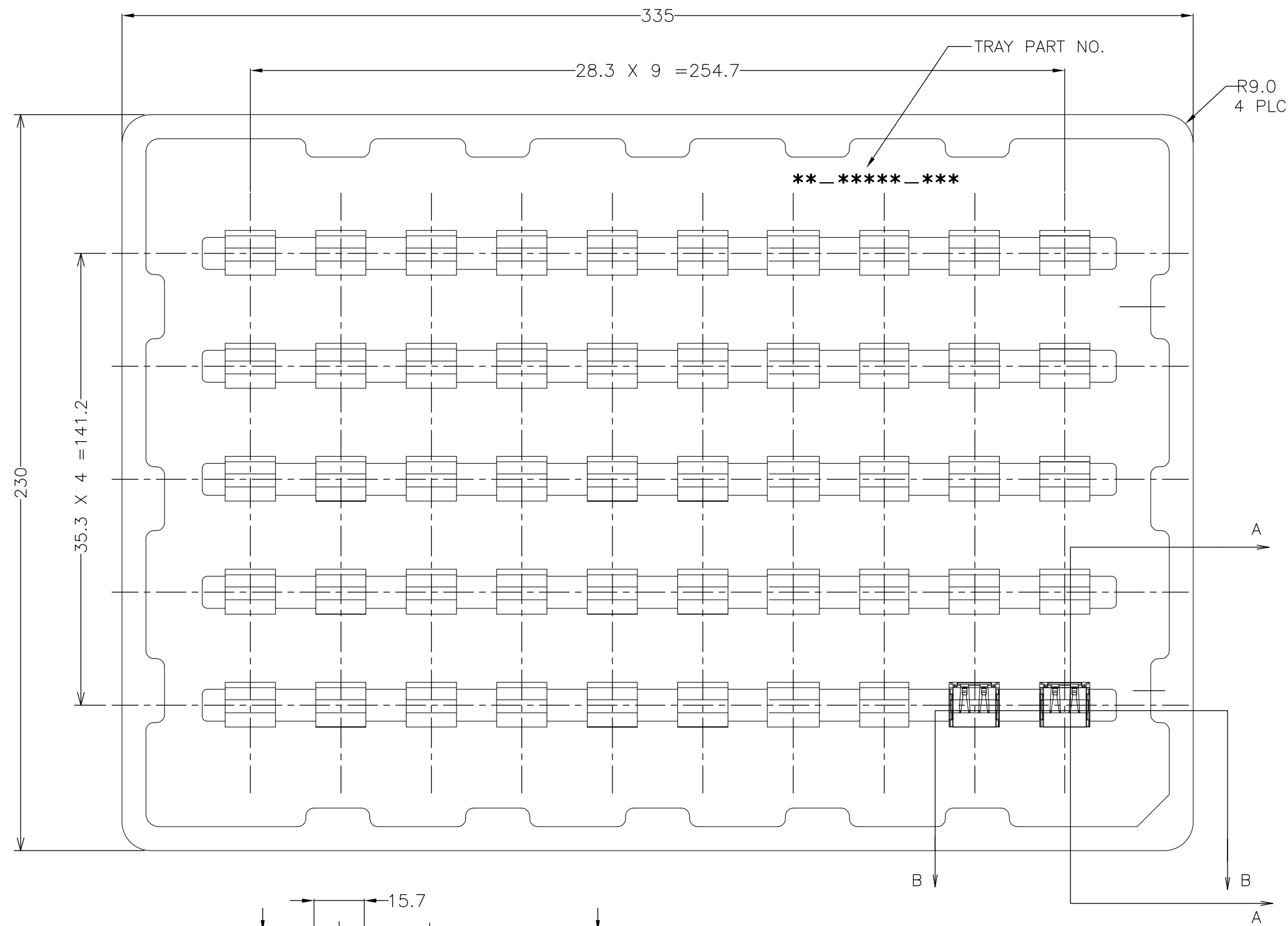
2

1

THIS DRAWING IS UNPUBLISHED. RELEASED FOR PUBLICATION
 © COPYRIGHT BY TYCO ELECTRONICS CORPORATION. ALL RIGHTS RESERVED.

LOC	DIST	REVISIONS					
ES	—	P	LTR	DESCRIPTION	DATE	DWN	APVD
			A1	PRELIMINARY	15FEB2011	F.C	S.Y

PRELIMINARY



PART NUMBER	STATUS
1674459-4	PRELIMINARY

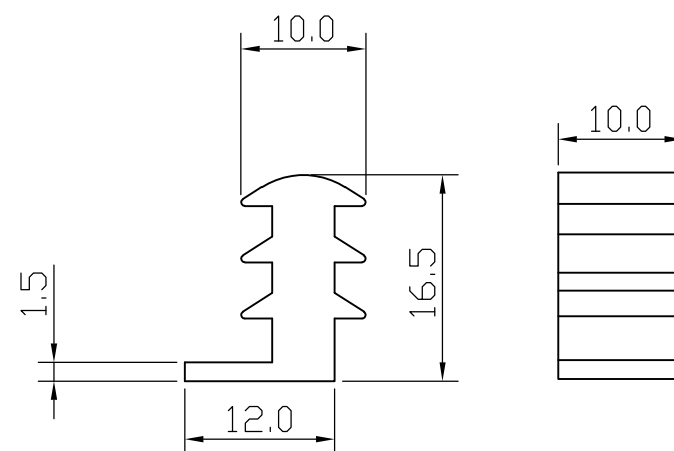
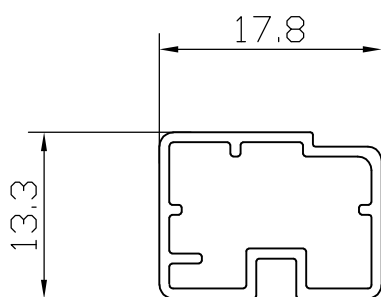
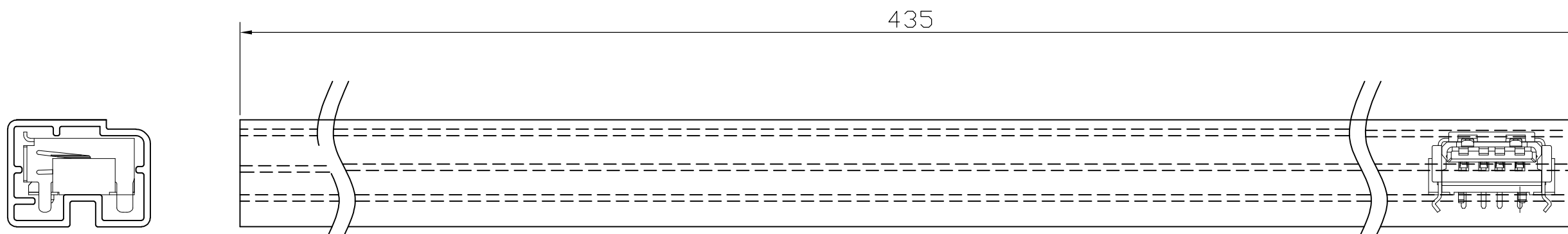
THIS DRAWING IS A CONTROLLED DOCUMENT.

DWN	AMOS ZHU	28NOV08	 Tyco Electronics Corporation Shanghai, P.R.China, 200233	
CHK	MARTIN LI	28NOV08		
APVD	STEVEN YAO	28NOV08		
NAME				
PRODUCT SPEC	108-60053		TRAY REC. ASS'Y R/A DIP	
APPLICATION SPEC	-		HIGH DURABILITY TYPE USB CONNECTOR	
WEIGHT	-	A3	SIZE	
CUSTOMER DRAWING	SCALE	1:1	CAGE CODE	00779
			DRAWING NO	C-1674459
			RESTRICTED TO	
			SHEET	1 OF 3
			REV	A1

THIS DRAWING IS UNPUBLISHED. RELEASED FOR PUBLICATION

© COPYRIGHT - BY TYCO ELECTRONICS CORPORATION. ALL RIGHTS RESERVED.

LOC	DIST	REVISIONS					
ES	-	P	LTR	DESCRIPTION	DATE	DWN	APVD
		-		SEE SHEET 1	-	-	-

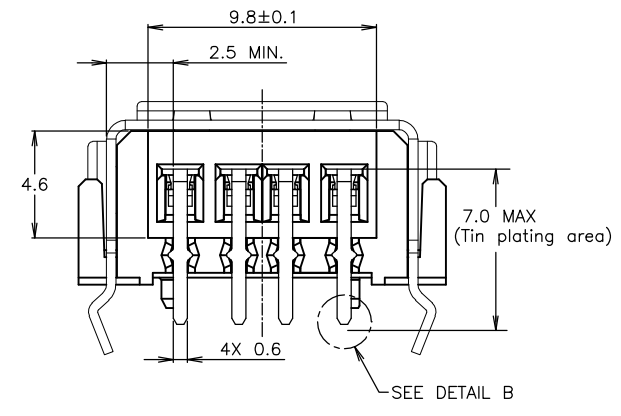
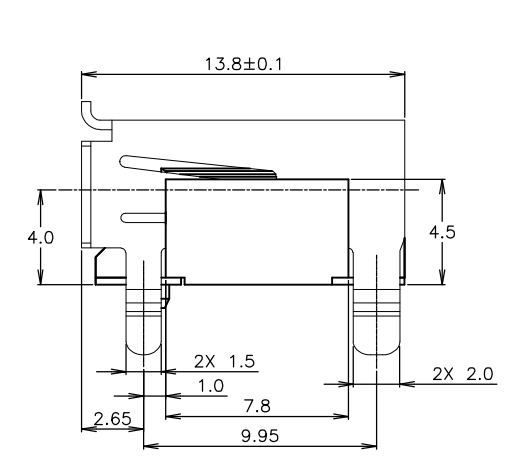
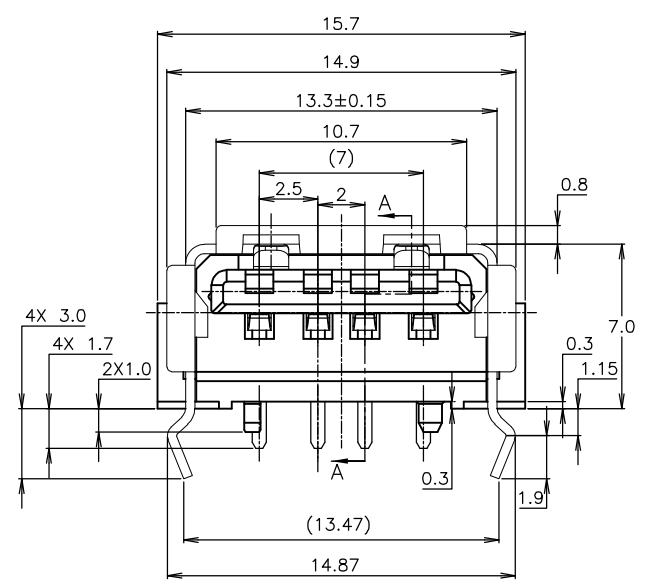
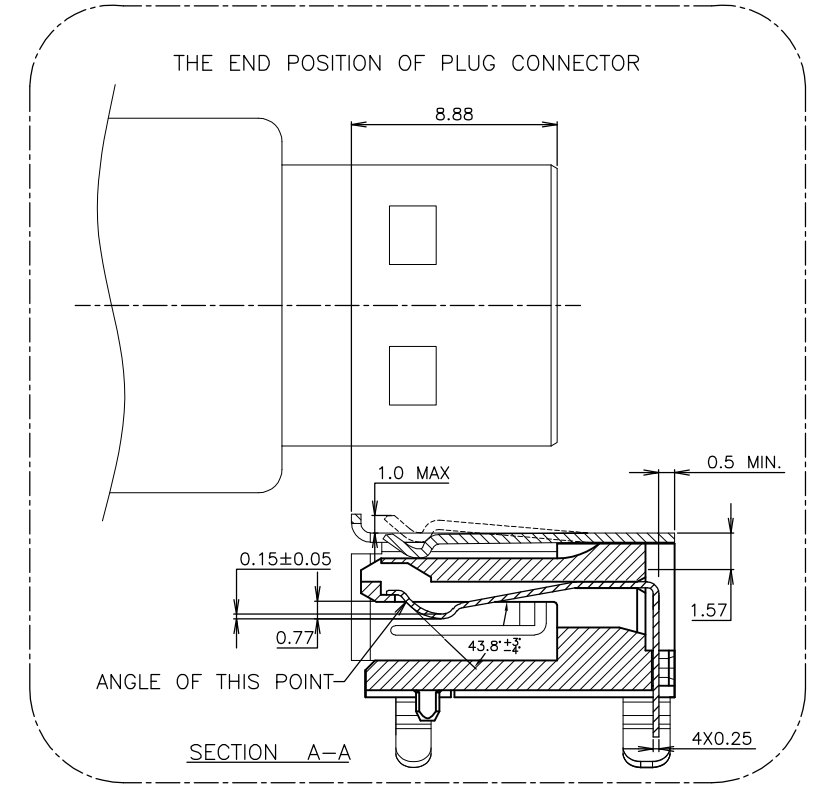
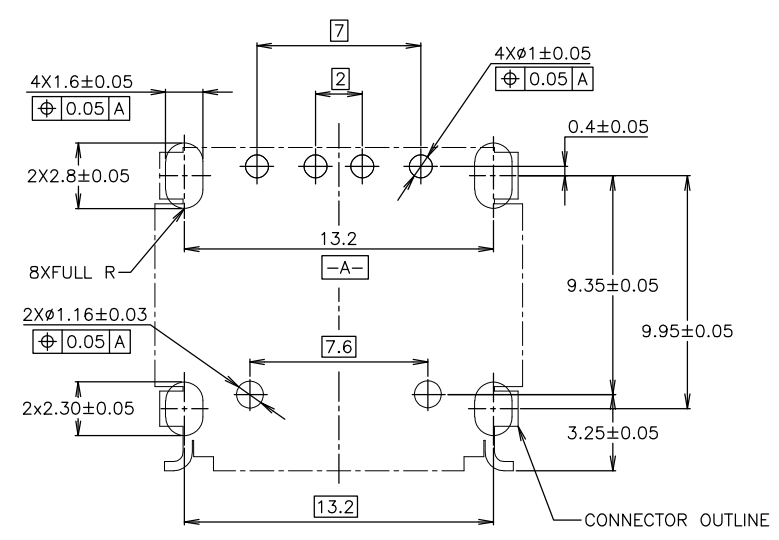
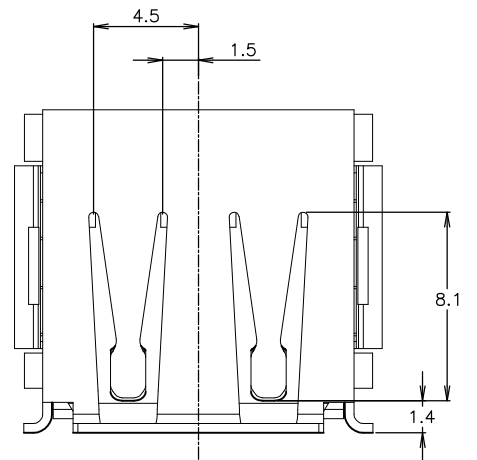


THIS DRAWING IS A CONTROLLED DOCUMENT.		DWN	AMOS ZHU	28NOV08	 Tyco Electronics Corporation Shanghai, P.R.China, 200233
DIMENSIONS: mm		CHK	MARTIN LI	28NOV08	
		APVD	STEVEN YAO	28NOV08	
TOLERANCES UNLESS OTHERWISE SPECIFIED:		PRODUCT SPEC		NAME	
0 PLC	± 1.0	-		TRAY REC. ASS'Y R/A DIP	
1 PLC	± 1.0	-		HIGH DURABILITY TYPE USB CONNECTOR	
2 PLC	± -	APPLICATION SPEC		SIZE	CAGE CODE
3 PLC	± -	-		A3	00779
4 PLC	± -	-		DRAWING NO	
ANGLES	± 2'	-		G-1674459	
MATERIAL		FINISH		RESTRICTED TO	
		WEIGHT		-	
		CUSTOMER DRAWING		SCALE	1:1
				SHEET	2 OF 3
				REV	A1

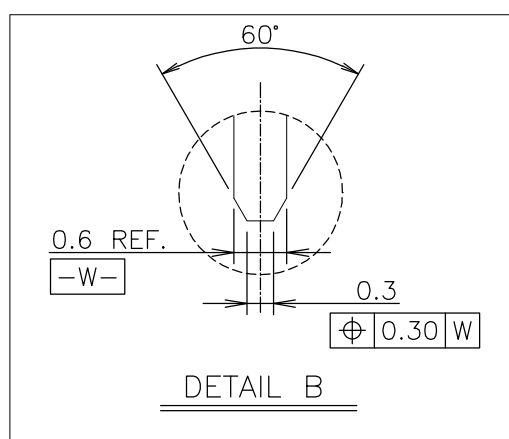
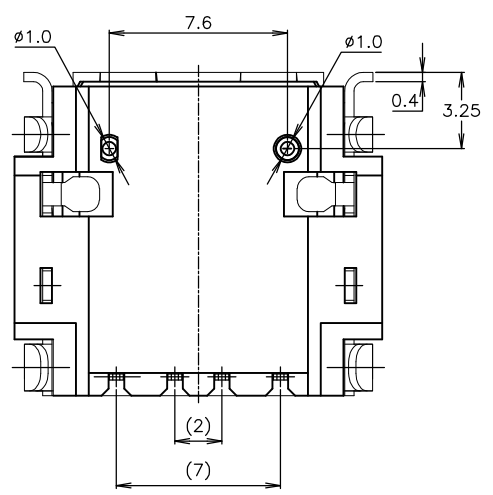
PART NUMBER	STATUS
2-1674459-4	PRELIMINARY

THIS DRAWING IS UNPUBLISHED. RELEASED FOR PUBLICATION
 © COPYRIGHT BY TYCO ELECTRONICS CORPORATION. ALL RIGHTS RESERVED.

LOC	DIST	REVISIONS			
P	LTR	DESCRIPTION	DATE	DWN	APVD
ES	—	SEE SHEET 1	—	—	—



NOTES
 1. MATERIAL & FINISH
 CONTACT: COPPER ALLOY
 Au PL. AT CONTACT AREA OVER Ni PL.
 TIN PL. AT TINE AREA OVER Ni PL.
 HOUSING: LCP, UL94V-0.
 COLOR: NATURAL
 SHELL: COPPER ALLOY, TIN PL.
 2. RECOMMENDED P.C.B THICKNESS 1.00±0.05 mm.



THIS DRAWING IS A CONTROLLED DOCUMENT.

DIMENSIONS:	TOLERANCES UNLESS OTHERWISE SPECIFIED:
mm	
0 PLC	± 0.30
1 PLC	± 0.30
2 PLC	± -
3 PLC	± -
4 PLC	± -
ANGLES	± 2'

DWN	AMOS ZHU	28NOV08
CHK	MARTIN LI	28NOV08
APVD	STEVEN YAO	28NOV08
PRODUCT SPEC	108-60053	
APPLICATION SPEC	-	
WEIGHT	-	

Tyco Electronics		Tyco Electronics Corporation	
		Shanghai, P.R.China, 200233	
NAME		TRAY REC. ASS'Y R/A DIP	
		HIGH DURABILITY TYPE USB CONNECTOR	
SIZE	CAGE CODE	DRAWING NO	RESTRICTED TO
A3	00779	C-1674459	

CUSTOMER DRAWING SCALE 1:1 SHEET 3 OF 3 REV A1