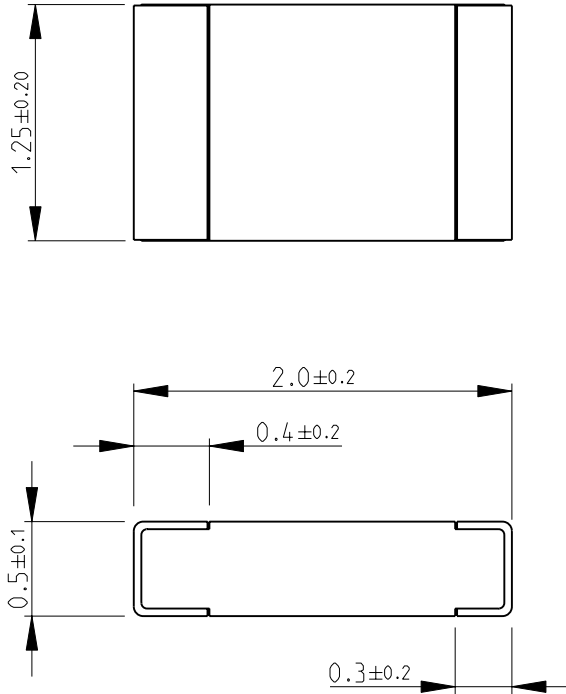
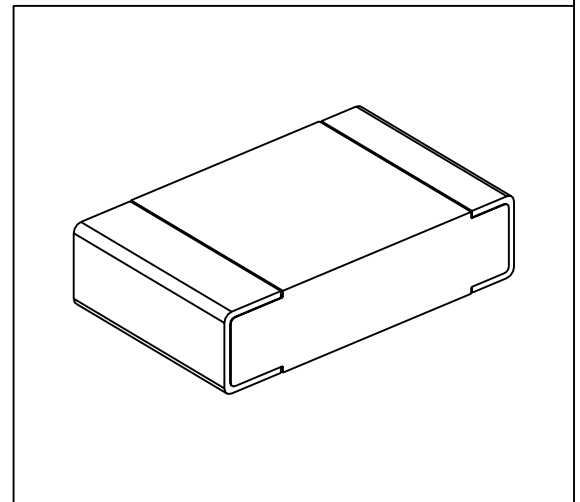


LOC	DIST	REVISIONS			
P	LTR	DESCRIPTION	DATE	DWN	APVD
E	B	BA1	AS PER ECR-09-006166	17-MAR-09	SM JC

FOR FURTHER INFORMATION SEE DATA SHEET FOR  
CPF SERIES-THIN FILM PRECISION CHIP RESISTORS



RoHS Compliant



2008

RELEASED FOR PUBLICATION

THIS DRAWING IS UNPUBLISHED.

© COPYRIGHT 2008 BY TYCO ELECTRONICS CORPORATION. ALL RIGHTS RESERVED.

DIMENSIONS: mm	DWN SUBHASH.M	23-Sep-08	MATERIAL	-	FINISH	-
	CHK PRAKASH.S	23-Sep-08	Tyco Electronics Corporation Dorcan, Swindon, SN3 5HH			
TOLERANCES UNLESS OTHERWISE SPECIFIED:	APVD STEPHEN.P	23-Sep-08				
0 PLC $\pm 0.2$	PRODUCT SPEC	-	NAME THIN FILM PRECISION CHIP RESISTORS SERIES CPF 0805			
1 PLC $\pm 0.1$	APPLICATION SPEC	-				
2 PLC $\pm$	WEIGHT	-	SIZE	CAGE CODE	DRAWING NO	RESTRICTED TO
3 PLC $\pm$			A 4	00779	© = 1614894	-
4 PLC $\pm$			CUSTOMER DRAWING			
ANGLES $\pm 5^\circ$			SCALE	25:1	SHEET	1 OF 1
						REV BA1